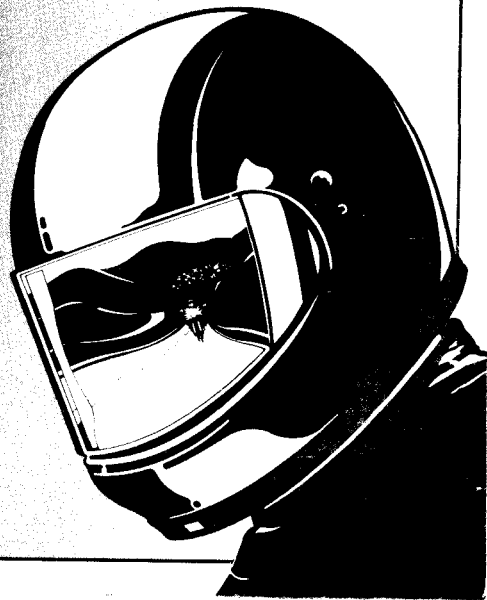
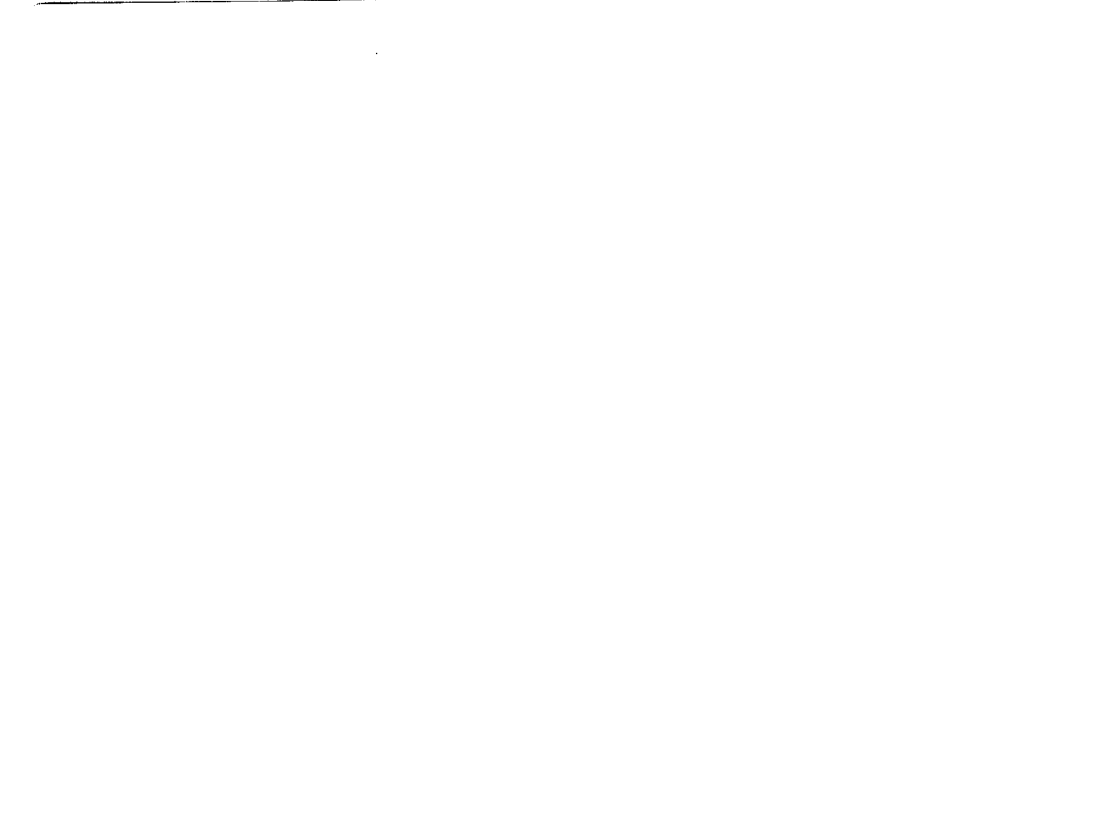


# HONDA

OWNER'S MANUAL  
MANUEL DU CONDUCTEUR  
FAHRER-HANDBUCH

CBR900RR  
FIRE BLADE





**HONDA**  
**CBR900RR**  
**FIRE BLADE**

**OWNER'S MANUAL**

**MANUEL DU CONDUCTEUR**

**FAHRER-HANDBUCH**

## IMPORTANT NOTICE

- **OPERATOR AND PASSENGER**

This motorcycle is designed to carry the operator and one passenger. Never exceed the maximum weight capacity as shown on the tyre information label.

- **ON-ROAD USE**

This motorcycle is designed to be used only on the road.

- **READ THIS OWNER'S MANUAL CAREFULLY**

Pay special attention to statements preceded by the following words:

### **▲WARNING**

Indicates a strong possibility of severe personal injury or death if instructions are not followed.

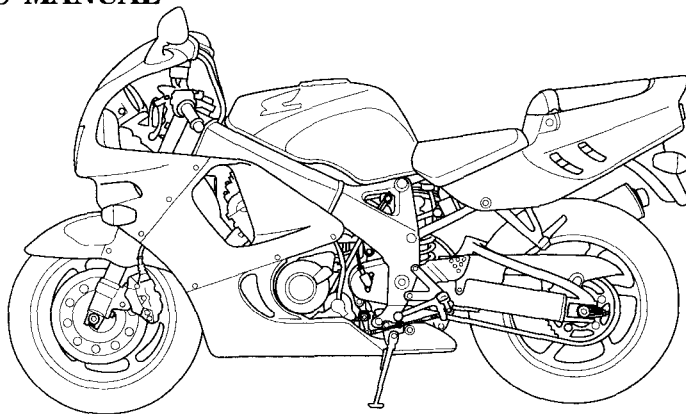
### **CAUTION:**

Indicates a possibility of personal injury or equipment damage if instructions are not followed.

**NOTE:** Gives helpful information.

This manual should be considered a permanent part of the motorcycle and should remain with the motorcycle when resold.

**HONDA CBR900RR  
FIRE BLADE  
OWNER'S MANUAL**



**All information in this publication is based on the latest production information available at the time of approval for printing. HONDA MOTOR CO.,LTD. reserves the right to make changes at any time without notice and without incurring any obligation.**

**No part of this publication may be reproduced without written permission.**

## WELCOME

The motorcycle presents you a challenge to master the machine, a challenge to adventure. You ride through the wind, linked to the road by a vehicle that responds to your commands as no other does. Unlike an automobile, there is no metal cage around you. Like an airplane, a pre-ride inspection and regular maintenance are essential to your safety. Your reward is freedom.

To meet the challenges safely, and to enjoy the adventure fully, you should become thoroughly familiar with this owner's manual **BEFORE YOU RIDE THE MOTORCYCLE**.

When service is required, remember that your Honda dealer knows your motorcycle best. If you have the required mechanical "know-how" and tools, your dealer can supply you with an official Honda Service Manual to help you perform many maintenance and repair tasks.

Pleasant riding, and thank you for choosing a Honda !

- Following codes in this manual indicate each country.

E	UK	U	Australia
G	Germany	SW	Switzerland
F	France	MX	Mexico
ED	European direct sales	SD	Sweden
	Greece	IT	Italy
	Belgium	AR	Austria
	Portugal	ND	Northern Europe
	Holland		Norway
Spain		Finland	

- The specifications may vary with each locale.

# OPERATION

page		page	
1	MOTORCYCLE SAFETY	39	FEATURES
1	Safe Riding Rules		(Not required for operation)
2	Protective Apparel	39	Steering Lock
2	Modifications	40	Seat
3	Loading and Accessories	42	Helmet Holder
6	PARTS LOCATION	43	Luggage Tie-down Hook
9	Instruments and Indicators	44	Document Bag
13	MAJOR COMPONENTS	44	Storage Compartment
	(Information you need to	45	Storage Compartment for
	operate this motorcycle)		U-shaped Anti-theft Lock
13	Suspension	46	Side Cover
19	Brakes	47	Middle Fairing
23	Clutch	48	Lower Fairing
25	Coolant	49	OPERATION
27	Fuel	49	Pre-ride Inspection
31	Engine Oil	50	Starting the Engine
32	Tubeless Tyres	54	Running-in
35	ESSENTIAL INDIVIDUAL	55	Riding
	COMPONENTS	56	Low Altitude Riding
35	Ignition Switch	57	Braking
36	Right Handlebar Controls	58	Parking
37	Left Handlebar Controls	59	Anti-theft Tips

## **MAINTENANCE**

page

60	<b>MAINTENANCE</b>
61	Maintenance Schedule
64	Tool Kit
65	Serial Numbers
66	Colour Label
67	Maintenance Precautions
68	Engine Oil
72	Spark Plugs
74	Throttle Operation
75	Idle Speed
76	Drive Chain
82	Drive Chain slider
83	Front and Rear Suspension Inspection
84	Side Stand
85	Wheel Removal
92	Brake Pad Wear
94	Battery
96	Fuse Replacement
99	Bulb Replacement

page

104	<b>CLEANING</b>
107	<b>STORAGE GUIDE</b>
107	Storage
109	Removal from Storage
110	<b>SPECIFICATIONS</b>
114	<b>NOISE CONTROL SYSTEM (AUSTRALIA ONLY)</b>



# MOTORCYCLE SAFETY

## **▲WARNING**

**\*Motorcycle riding requires special efforts on your part to ensure your safety. Know these requirements before you ride:**

## **SAFE RIDING RULES**

1. Always make a pre-ride inspection (page 49) before you start the engine. You may prevent an accident or equipment damage.
2. Many accidents involve inexperienced riders. Most countries require a special motorcycle riding test or license. Make sure you are qualified before you ride. NEVER lend your motorcycle to an inexperienced rider.
3. Many automobile/motorcycle accidents happen because the automobile driver does not “see” the motorcyclist. Make yourself conspicuous to help avoid the accident that wasn’t your fault:
  - Wear bright or reflective clothing.
  - Don’t ride in another motorist’s “blind spot.”

4. Obey all national and local laws and regulations.
  - Excessive speed is a factor in many accidents. Obey the speed limits, and NEVER travel faster than conditions warrant.
  - Signal before you make a turn or lane change. Your size and maneuverability can surprise other motorists.
5. Don’t let other motorists surprise you. Use extra caution at intersections, parking lot entrances and exits, and driveways.
6. Keep both hands on the handlebars and both feet on the footpegs while riding. A passenger should hold on to the motorcycle or the operator with both hands and keep both feet on the passenger footpegs.

## **PROTECTIVE APPAREL**

1. Most motorcycle accident fatalities are due to head injuries: **ALWAYS** wear a helmet. You should also wear a face shield or goggles as well as boots, gloves and protective clothing. A passenger needs the same protection.
2. The exhaust system becomes hot during operation, and it remains hot for a while after stopping the engine. Be careful not to touch the exhaust system while it is hot. Wear clothing that fully covers your legs.
3. Do not wear loose clothing which could catch on the control levers, footpegs, drive chain or wheels.

## **MODIFICATIONS**

### **▲WARNING**

- \* **Modification of the motorcycle, or removal of original equipment, may render the vehicle unsafe or illegal. Obey all national and local equipment regulations.**

## LOADING AND ACCESSORIES

### **▲WARNING**

**\* To prevent an accident, use extreme care when adding and riding with accessories and cargo. Addition of accessories and cargo can reduce a motorcycle's stability, performance and safe operating speed. Never ride an accessory-equipped motorcycle at speeds above 130 km/h (80 mph). And remember that this 130 km/h (80mph) limit may be reduced by installation of non-Honda accessories, improper loading, worn tyres and overall motorcycle condition, poor road or weather conditions. These general guidelines may help you decide whether or how to equip your motorcycle and how to load it safely.**

### **Loading**

The combined weight of the rider, passenger, cargo and additional accessories must not exceed the maximum weight capacity:

186 kg (410 lbs) ...Except SW,AR

185 kg (408 lbs) ...SW,AR

Cargo weight alone should not exceed:

14 kg (30 lbs)

1. Keep cargo and accessory weight low and close to the center of the motorcycle. Load weight equally on both sides to minimize imbalance. As weight is located further from the motorcycle's center of gravity, handling is proportionally affected.
2. Adjust tyre pressure (page 32), front suspension (page 13) and rear suspension (page 16) to suit load weight and riding conditions.

3. Vehicle handling and stability can be adversely affected by loose cargo. Recheck cargo security and accessory mounts frequently.
4. The Honda fairing is designed for this motorcycle only. Do not install it on any other motorcycle.
5. Do not attach large or heavy items (such as a sleeping bag or tent) to the handlebars, fork, or fender. Unstable handling or slow steering response may result.

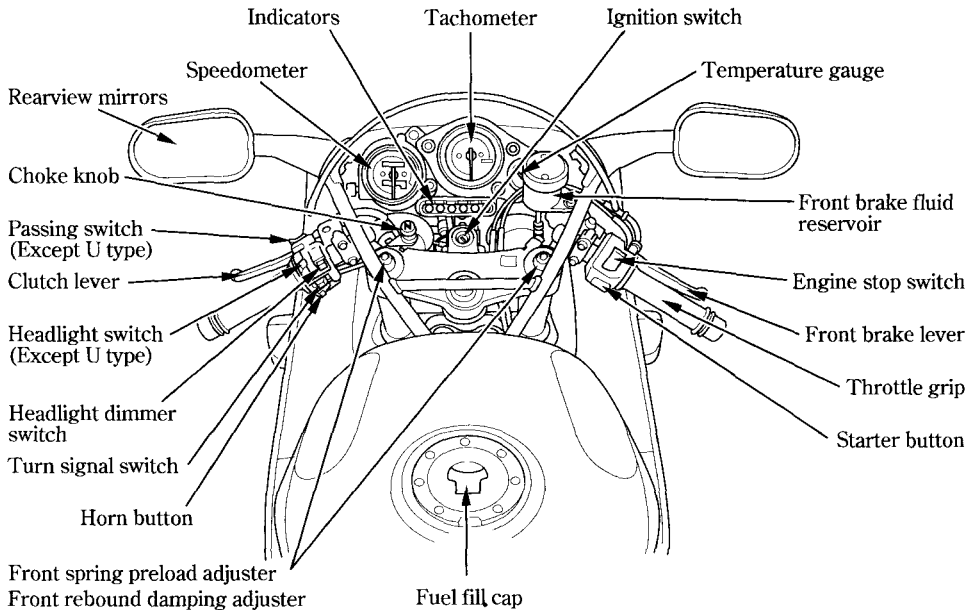
### **Accessories**

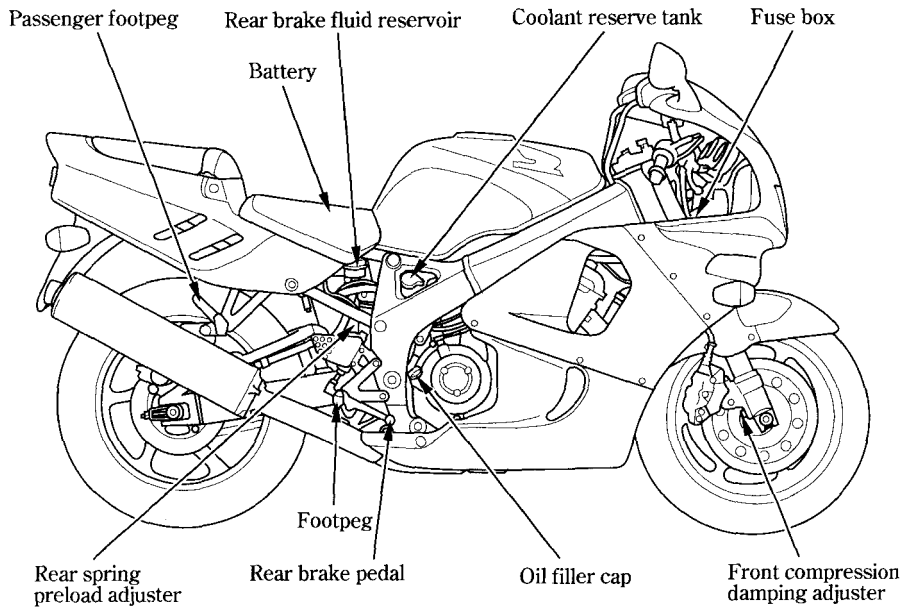
Genuine Honda accessories have been specifically designed for and tested on this motorcycle. Because the factory cannot test all other accessories, you are personally responsible for proper selection, installation, and use of non-Honda accessories. Always follow the guidelines under Loading, and these:

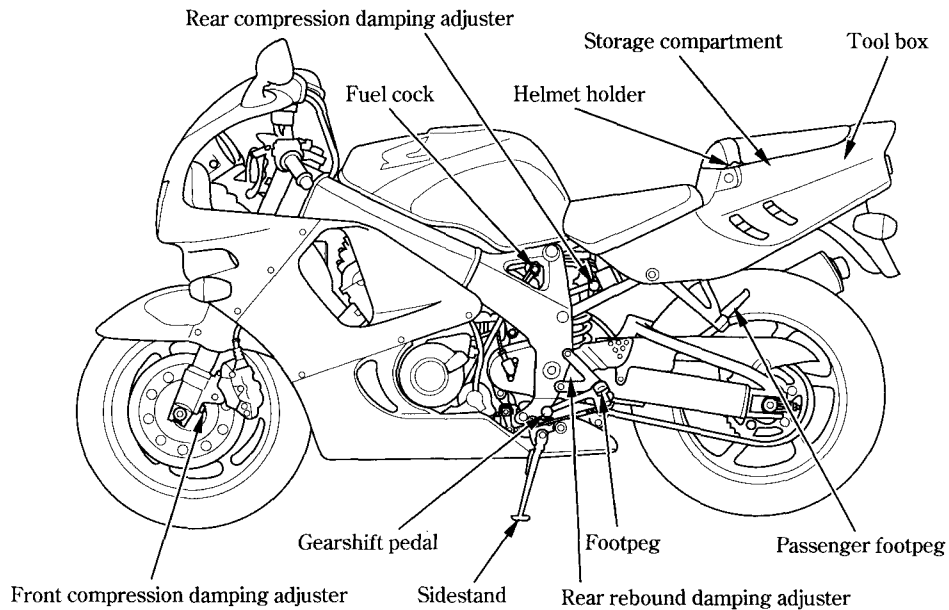
1. Carefully inspect the accessory to make sure it does not obscure any lights, reduce ground clearance and banking angle, or limit suspension travel, steering travel or control operation.
2. Large fork-mounted fairings or windshields, or poorly designed or improperly mounted fairings can produce aerodynamic forces that cause unstable handling. Do not install fairings that decrease cooling air flow to the engine.

3. Accessories which alter your riding position by moving hands or feet away from controls may increase reaction time in an emergency.
4. Do not add electrical equipment that will exceed the motorcycle's electrical system capacity. A blown fuse could cause a dangerous loss of lights or engine power.
5. This motorcycle was not designed to pull a sidecar or trailer. Handling may be seriously impaired if so equipped.
6. Any modification of the cooling system may cause overheating and serious engine damage. Do not modify the radiator shrouds or install accessories which block or deflect air away from the radiator.

# PARTS LOCATION





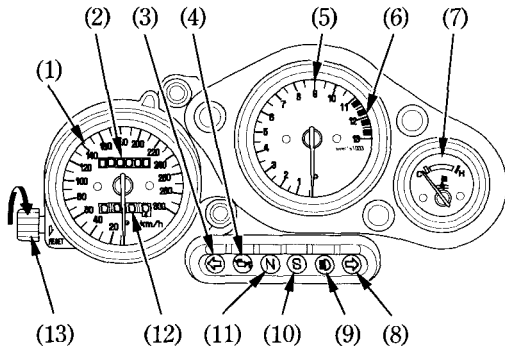




## INSTRUMENTS AND INDICATORS

The indicators are contained in the instrument panel. Their functions are described in the tables on the following pages.

- (1) Speedometer
- (2) Odometer
- (3) Left Turn signal indicator
- (4) Low oil pressure indicator
- (5) Tachometer
- (6) Tachometer red zone
- (7) Coolant temperature gauge
- (8) Right Turn signal indicator
- (9) High beam indicator
- (10) Side stand indicator
- (11) Neutral indicator
- (12) Tripmeter
- (13) Tripmeter reset knob



<b>(Ref. No.) Description</b>	<b>Function</b>
(1) Speedometer	Shows riding speed.
(2) Odometer	Shows accumulated mileage.
(3) Left turn signal indicator (green)	Flashes when the left turn signal operates.
(4) Low oil pressure indicator (red)	<p>Lights when engine oil pressure is below normal operating range. Should light when ignition switch is ON and engine is not running. Should go out when engine starts, except for occasional flickering at or near idling speed when engine is warm.</p> <p><b>CAUTION:</b>  * <b>Running the engine with insufficient oil pressure may cause serious engine damage.</b></p>
(5) Tachometer	Shows engine rpm.
(6) Tachometer red zone	<p>Never allow the tachometer needle to enter the red zone, even after the engine has been broken in.</p> <p><b>CAUTION:</b>  * <b>Running the engine beyond recommended maximum engine speed (tachometer red zone) can damage the engine.</b></p>

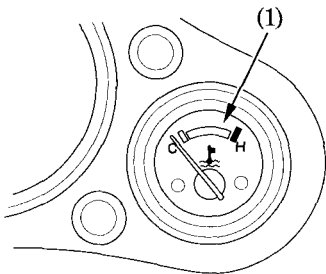
<b>(Ref. No.) Description</b>	<b>Function</b>
(7) Coolant temperature gauge	Shows coolant temperature (see page 12).
(8) Right turn signal indicator (green)	Flashes when the right turn signal operates.
(9) High beam indicator (blue)	Lights when the headlight is on high beam.
(10) Side stand indicator (amber)	Lights when the side stand is put down. Before parking, check that the side stand is fully down; the light only indicates the side stand ignition cut-off system (page 50) is activated.
(11) Neutral indicator (green)	Lights when the transmission is in neutral.
(12) Tripmeter	Shows mileage per trip.
(13) Tripmeter reset knob	Resets tripmeter to zero ( 0 ). Turn knob in direction shown.

### Coolant Temperature Gauge

When the needle begins to move above the C (Cold) mark, the engine is warm enough for the motorcycle to be ridden. The normal operating temperature range is within the section between the H and C marks. If the needle reaches the H (Hot) mark, stop the engine and check the reserve tank coolant level. Read pages 25 – 26 and do not ride the motorcycle until the problem has been corrected.

### CAUTION:

**\* Exceeding maximum running temperature may cause serious engine damage.**



(1) Coolant temperature gauge

## MAJOR COMPONENTS (Information you need to operate this motorcycle)

### **▲WARNING**

- \* If the Pre-ride Inspection (page 49) is not performed, severe personal injury or vehicle damage may result.

## SUSPENSION

### Front Suspension

#### Spring preload:

Adjust the spring preload by turning the preload adjuster (1) with the 10x14 mm wrench provided in the tool kit.

To reduce (SOFT) :

Turn the adjuster counterclockwise toward SOFT for a light load and smooth road condition.

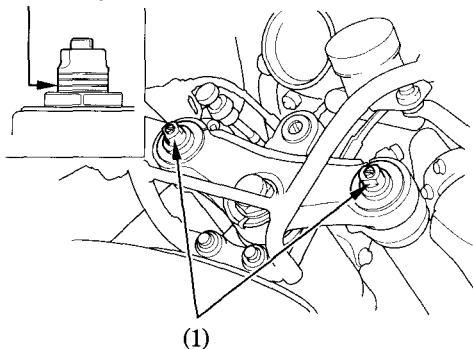
To increase (HARD) :

Turn the adjuster clockwise toward HARD for a firmer ride and rough road condition.

#### Standard position:

To return to the standard position, turn the adjusters until the third groove from the top aligns with the top surface of the fork caps.

#### Standard position



(1) Preload adjuster

Rebound damping:

To reduce (SOFT) :

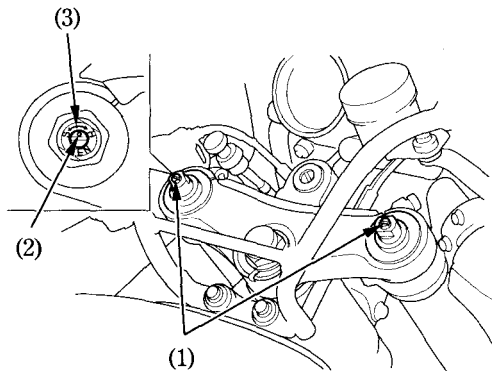
Turn the adjuster counterclockwise toward SOFT for a light load and smooth road condition.

To increase (HARD) :

Turn the adjuster clockwise toward HARD for a firmer ride and rough road condition.

To adjust the adjuster to the standard position, proceed as follows :

1. Turn the damping adjuster (1) clockwise until it will no longer turn. This is the full hard setting.
2. The adjuster is set in the standard position when the adjuster is turned counterclockwise approximately 1 turn so that its punch mark (2) aligns with the reference mark (3).



- (1) Damping adjuster      (3) Reference mark  
(2) Punch mark

Compression damping:

To reduce (SOFT) :

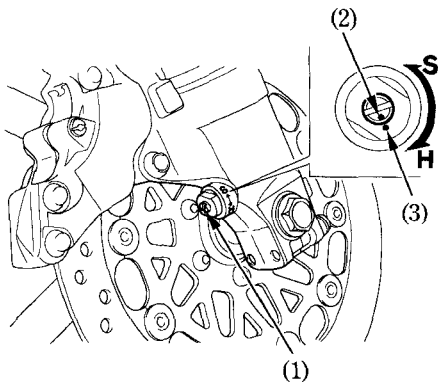
Turn the adjuster counterclockwise toward SOFT for a light load and smooth road condition.

To increase (HARD) :

Turn the adjuster clockwise toward HARD for a firmer ride and rough road condition.

To adjust the adjuster to the standard position, proceed as follows :

1. Turn the damping adjuster (1) clockwise until it will no longer turn. This is the full hard setting.
2. The adjuster is set in the standard position when the adjuster is turned counterclockwise approximately 1 turn so that its punch mark (2) aligns with the reference punch mark (3).



- (1) Damping adjuster
- (2) Punch mark
- (3) Reference punch mark

## Rear Suspension

### Compression damping:

To reduce (SOFT) :

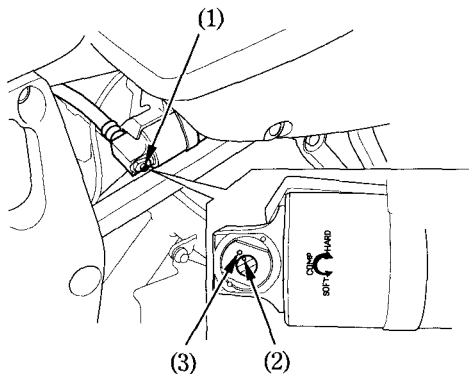
Turn the adjuster counterclockwise toward SOFT for a light load and smooth road condition.

To increase (HARD) :

Turn the adjuster clockwise toward HARD for a firmer ride and rough road condition.

To adjust the adjuster to the standard position, proceed as follows :

1. Turn the damping adjuster (1) clockwise until it will no longer turn. This is the full hard setting.
2. The adjuster is set in the standard position when the adjuster is turned counterclockwise approximately 1 turn so that its punch mark (2) aligns with the reference punch mark (3).



- (1) Damping adjuster  
(2) Punch mark  
(3) Reference punch mark



### Rebound damping:

To reduce (SOFT) :

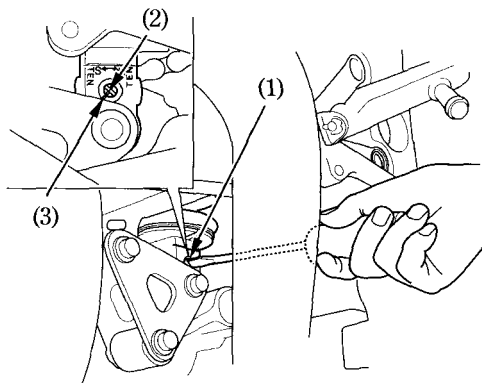
Turn the adjuster counterclockwise toward SOFT for a light load and smooth road condition.

To increase (HARD) :

Turn the adjuster clockwise toward HARD for a firmer ride and rough road condition.

To adjust the adjuster to the standard position, proceed as follows :

1. Turn the damping adjuster (1) clockwise until it will no longer turn. This is the full hard setting.
2. The adjuster is set in the standard position when the adjuster is turned counterclockwise approximately 1 turn so that its punch mark (2) aligns with the reference punch mark (3).

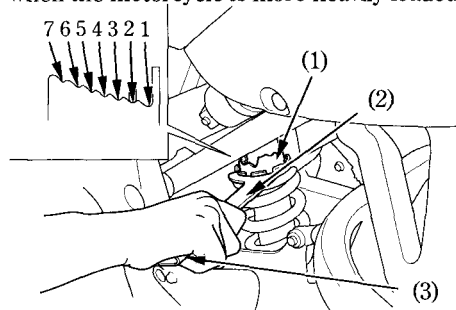


- (1) Damping adjuster
- (2) Punch mark
- (3) Reference punch mark

### Spring preload:

The spring preload adjuster (1) has 7 spring preload positions for different load or riding conditions.

Use the pin spanner (2) and extension bar (3) to adjust the rear shock. Position 1 is for a light load and smooth road conditions. Position 2 is the standard position. Positions 3 to 7 increase spring preload for a stiffer rear suspension and can be used when the motorcycle is more heavily loaded.



(1) Spring adjuster

(2) Pin spanner

(3) Extension bar

### ▲WARNING

- \* The rear shock absorber assembly includes a damper unit that contains high pressure nitrogen gas. The instructions found in this owner's manual are limited to adjustment of the shock assembly only. Do not attempt to disassemble, disconnect or service the damper unit; an explosion causing serious injury may result.
- \* Puncture or exposure to flame may also result in an explosion, causing serious injury.
- \* Service or disposal should only be done by your authorized Honda dealer or a qualified mechanic, equipped with the proper tools, safety equipment and the official Honda Shop Manual.

## **BRAKES**

Both the front and rear brakes are the hydraulic disc types.

As the brake pads wear, the brake fluid level drops.

There are no adjustments to perform, but fluid level and pad wear must be inspected periodically. The system must be inspected frequently to ensure there are no fluid leaks. If the control lever or pedal free travel becomes excessive and the brake pads are not worn beyond the recommended limit (page 92), there is probably air in the brake system and it must be bled. See your authorized Honda dealer for this service.

## **Front Brake**

### Front Brake Fluid Level:

#### **▲WARNING**

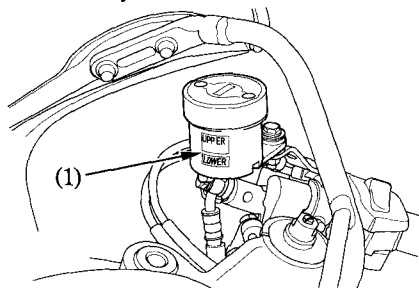
- \* **Brake fluid may cause irritation. Avoid contact with skin or eyes. In case of contact, flush thoroughly with water and call a doctor if your eyes were exposed.**
- \* **KEEP OUT OF REACH OF CHILDREN.**

#### **CAUTION:**

- \* **Handle brake fluid with care because it can damage plastic and painted surfaces.**
- \* **When adding brake fluid, be sure the reservoir is horizontal before the cap is removed or brake fluid may spill out.**
- \* **Use only DOT 4 brake fluid from a sealed container.**
- \* **Never allow contaminants such as dirt or water to enter the brake fluid reservoir.**

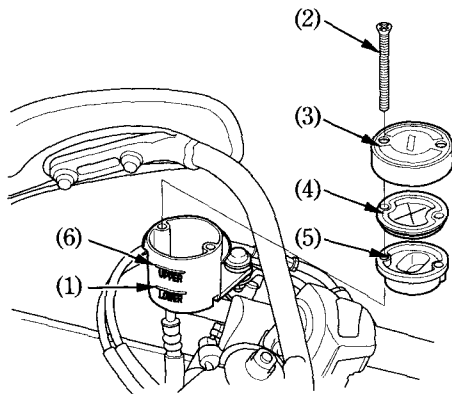
Check that the fluid level is above the LOWER level mark (1) with the motorcycle in an upright position.

Brake fluid must be added to the reservoir whenever the fluid level begins to reach the LOWER level mark (1). Remove the screws (2), reservoir cover (3), diaphragm plate (4), and diaphragm (5). Fill the reservoir with DOT 4 BRAKE FLUID from a sealed container up to the upper level mark (6). Reinstall the diaphragm, diaphragm plate, and cover. Tighten the screws securely.



(1) LOWER level mark

20



(2) Screws

(3) Reservoir cover

(4) Diaphragm plate

(5) Diaphragm

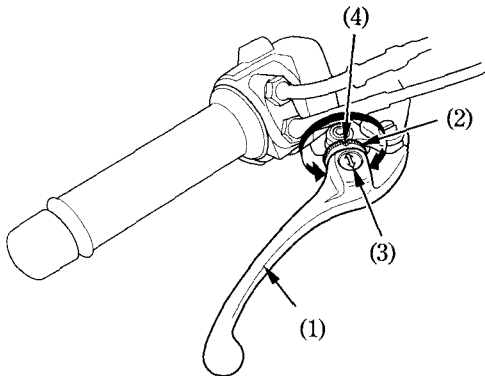
(6) Upper level mark

### Front Brake Lever:

The distance between the tip of the brake lever (1) and the grip can be adjusted by turning the adjuster (2).

#### **CAUTION:**

- \* Align the arrow (3) on the brake lever with index mark (4) on the adjuster.



- (1) Brake lever
- (2) Adjuster

- (3) Arrow
- (4) Index mark

### Rear Brake

#### Rear brake fluid level:

#### **▲ WARNING**

- \* Brake fluid may cause irritation. Avoid contact with skin or eyes. In case of contact, flush thoroughly with water and call a doctor if your eyes were exposed.
- \* **KEEP OUT OF REACH OF CHILDREN.**

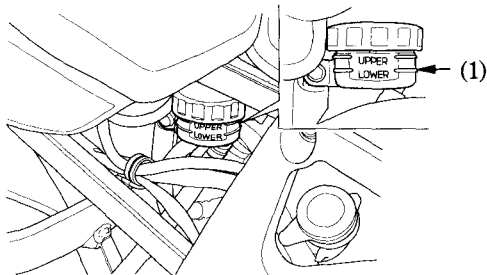
#### **CAUTION:**

- \* Handle brake fluid with care because it can damage plastic and painted surfaces.
- \* When adding brake fluid, be sure the reservoir is horizontal before the cap is removed or brake fluid may spill out.
- \* Use only DOT 4 brake fluid from a sealed container.
- \* Never allow contaminants such as dirt or water to enter the brake fluid reservoir.

Check that the fluid level is above the LOWER level mark (1) with the motorcycle in an upright position.

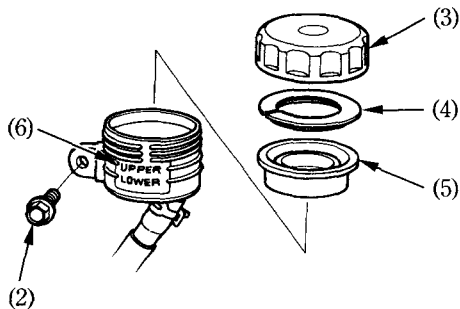
Brake fluid must be added to the reservoir whenever the fluid level begins to reach the LOWER level mark (1). Remove the bolt (2).

Remove the reservoir cap (3), diaphragm plate (4), and diaphragm (5). Fill the reservoir with DOT 4 BRAKE FLUID from a sealed container up to the UPPER level mark (6). Reinstall the diaphragm, diaphragm plate, cap and bolt securely.



(1) LOWER level mark

22



(2) Bolt

(3) Reservoir cap

(4) Diaphragm plate

(5) Diaphragm

(6) UPPER level mark

#### Other Checks:

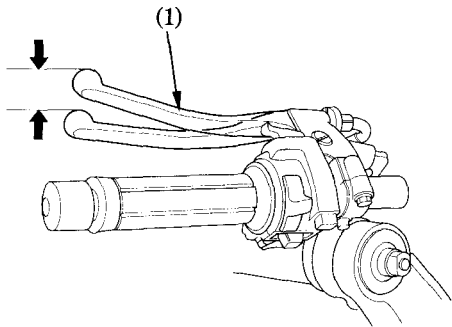
Make sure there are no fluid leaks. Check for deterioration or cracks in the hoses and fittings.

## CLUTCH

Clutch adjustment may be required if the motorcycle stalls when shifting into gear or tends to creep; or if the clutch slips, causing acceleration to lag behind engine speed. Minor adjustments can be made with the clutch cable adjuster (3) at the lever (1).

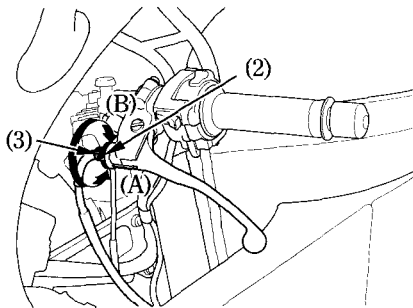
Normal clutch lever free play is:

10–20 mm (0.4–0.8 in)



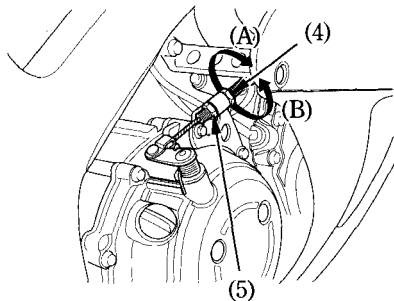
(1) Clutch lever

1. Loosen the lock nut (2) and turn the adjuster (3). Tighten the lock nut (2) and check the adjustment.
2. If the adjuster is threaded out near its limit or if the correct free play cannot be obtained, loosen the lock nut (2) and turn in the cable adjuster (3) completely. Tighten the lock nut (2).



- (2) Lock nut                      (A) Increase free play  
(3) Clutch cable adjuster      (B) Decrease free play

- Loosen the lock nut (5) at the lower end of the cable. Turn the adjusting nut (4) to obtain the specified free play. Tighten the lock nut (5) and check the adjustment.
- Start the engine, pull in the clutch lever and shift into gear. Make sure the engine does not stall and the motorcycle does not creep. Gradually release the clutch lever and open the throttle. The motorcycle should begin to move smoothly and accelerate gradually.



- (4) Adjusting nut  
(5) Lock nut

- (A) Increase free play  
(B) Decrease free play

**NOTE:**

- If proper adjustment cannot be obtained or the clutch does not work correctly, see your authorized Honda dealer.

Other Checks:

Check the clutch cable for kinks or signs of wear that could cause sticking or failure. Lubricate the clutch cable with a commercially available cable lubricant to prevent premature wear and corrosion.



## **COOLANT**

### **Coolant Recommendation**

The owner must properly maintain the coolant to prevent freezing, overheating, and corrosion. Use only high quality ethylene glycol antifreeze containing corrosion protection inhibitors specifically recommended for use in aluminum engines. (SEE ANTIFREEZE CONTAINER LABEL).

### **CAUTION:**

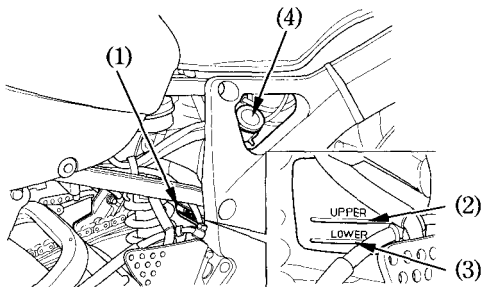
- \* Use only low-mineral drinking water or distilled water as a part of the antifreeze solution. Water that is high in mineral content or salt may be harmful to the aluminum engine.**

The factory provides a 50/50 solution of antifreeze and distilled water in this motorcycle. This coolant solution is recommended for most operating temperatures and provides good corrosion protection. A higher concentration of antifreeze decreases the cooling system performance and is recommended only when additional protection against freezing is needed. A concentration of less than 40/60 (40% antifreeze) will not provide proper corrosion protection. During freezing temperatures, check the cooling system frequently and add higher concentrations of antifreeze (up to a maximum of 60% antifreeze) if required.

## Inspection

The reserve tank is behind the frame.

Check the coolant level in the reserve tank (1) while the engine is at the normal operating temperature with the motorcycle in an upright position. If the coolant level is below the LOWER level mark (3), remove the reserve tank cap (4) and add coolant mixture until it reaches the UPPER level mark (2). Do not remove the radiator cap.



- |                      |                      |
|----------------------|----------------------|
| (1) Reserve tank     | (3) LOWER level mark |
| (2) UPPER level mark | (4) Reserve tank cap |

26

## ▲WARNING

- \* Do not remove the radiator cap when the engine is hot. The coolant is under pressure and could scald you.
- \* Keep hands and clothing away from the cooling fan, as it starts automatically.

If the reserve tank is empty, or if coolant loss is excessive, check for leaks and see your authorized Honda dealer for repair.

## FUEL

### Manual Fuel Cock

The manual fuel cock (1) is under the left side of the fuel tank. Set it to ON for normal operation or RES when you start to run out of the main fuel supply. The OFF setting is only for long term storage or servicing of fuel system components.

### Automatic Fuel ON-OFF

With the fuel cock set to ON (or RES) fuel flows to the carburetors only when the engine is being started or is running. A diaphragm shuts off fuel flow when the engine is turned off.

### Reserve Fuel

When the main fuel supply is gone, turn the fuel cock to RES. Refill the tank as soon as possible after switching to RES, then switch the cock back to ON.

The reserve fuel supply is:

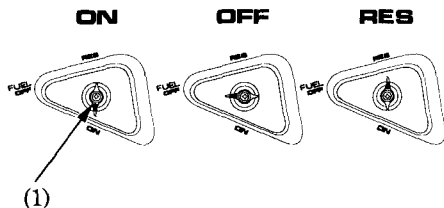
3.0 ℓ (0.79 US gal , 0.66 Imp gal)

## ▲WARNING

- \* To avoid running out of fuel that may result in a sudden stop, learn how to operate the fuel cock when riding the motorcycle.

### NOTE:

- \* Remember to check that the fuel cock is in the ON position each time you refuel. If the cock is left in the RES position, you may run out of fuel with no reserve.



(1) Fuel cock

### **Fuel Tank**

The fuel tank capacity including the reserve supply is:

18.0 ℓ (4.76 US gal , 3.96 Imp gal)

To open the fuel fill cap (1), insert the ignition key (2) and turn it clockwise. The fuel fill cap is hinged and will lift up.

After refueling, to close the fuel fill cap, push the fuel fill cap into the filler neck until it snaps closed and locks. Remove the key.

### **Except MEXICO, AUSTRALIA:**

Use unleaded or low-lead petrol with a research octane number of 91 or higher. We recommend that you use unleaded petrol because it produces fewer engine and spark plug deposits and extends the life of exhaust system components.

### **For MEXICO only**

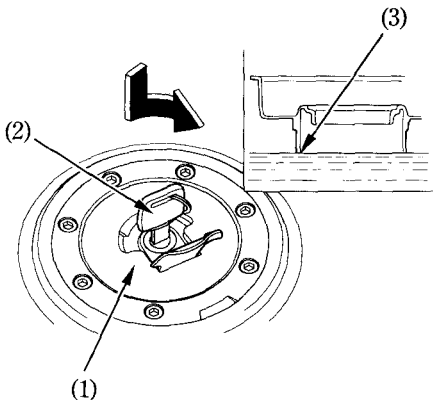
Use unleaded or low-lead petrol with a research octane number of 88 or higher. Recommend – Extra petrol.

### **For AUSTRALIA only**

Use unleaded petrol with a research octane number of 91 or higher.

### **CAUTION:**

**\* If “spark knock” or “pinking” occurs at a steady engine speed under normal load, change brands of petrol. If spark knock or pinking persists, consult your authorized Honda dealer. Failure to do so is considered misuse, and damage caused by misuse is not covered by Honda’s Limited Warranty.**



- (1) Fuel fill cap
- (2) Ignition key
- (3) Filler neck

### **▲WARNING**

- \* Petrol is extremely flammable and is explosive under certain conditions. Refuel in a well-ventilated area with the engine stopped. Do not smoke or allow flames or sparks in the area where petrol is stored or where the fuel tank is refueled.
- \* Do not overfill the tank (there should be no fuel in the filler neck (3)). After refueling, make sure the fuel fill cap is closed securely.
- \* Be careful not to spill fuel when refueling. Spilled fuel or fuel vapor may ignite. If any fuel is spilled, make sure the area is dry before starting the engine.
- \* Avoid repeated or prolonged contact with skin or breathing of vapor. **KEEP OUT OF REACH OF CHILDREN.**

### **Petrol Containing Alcohol**

If you decide to use a petrol containing alcohol (gasohol), be sure it's octane rating is at least as high as that recommended by Honda. There are two types of "gasohol": one containing ethanol, and the other containing methanol. Do not use petrol that contains more than 10% ethanol. Do not use petrol containing methanol (methyl or wood alcohol) that does not also contain cosolvents and corrosion inhibitors for methanol. Never use petrol containing more than 5% methanol, even if it has cosolvents and corrosion inhibitors.

### **NOTE:**

- \* Fuel system damage or engine performance problems resulting from the use of fuels that contain alcohol is not covered under the warranty. Honda cannot endorse the use of fuels containing methanol since evidence of their suitability is as yet incomplete.
- \* Before buying fuel from an unfamiliar station, try to find out if the fuel contains alcohol. If it does, confirm the type and percentage of alcohol used. If you notice any undesirable operating symptoms while using a petrol that contains alcohol, or one that you think contains alcohol, switch to a petrol that you know does not contain alcohol.

## ENGINE OIL

### Engine Oil Level Check

Check the engine oil level each day before riding the motorcycle.

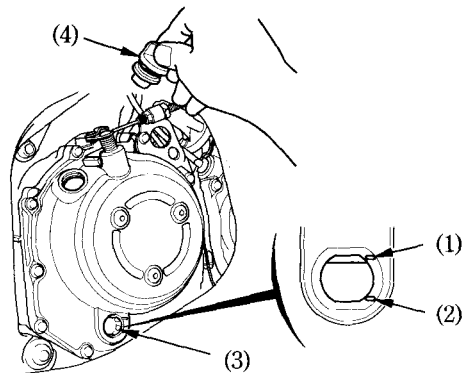
The level must be maintained between the upper (1) and lower (2) level marks in the inspection window (3).

1. Start the engine and let it idle for a few minutes. Make sure the red low oil pressure indicator goes off. If the light remains on, stop the engine immediately.
2. Stop the engine and hold the motorcycle in an upright position on firm, level ground.
3. After a few minutes, check that the oil level is between the upper (1) and lower (2) level marks in the inspection window (3).
4. If required, remove the oil filler cap (4) and add the specified oil (see page 68) up to the upper level mark. Do not overfill.

5. Reinstall the oil filler cap. Check for oil leaks.

### CAUTION:

**\* Running the engine with insufficient oil pressure may cause serious engine damage.**



- (1) Upper level mark  
(2) Lower level mark  
(3) Inspection window

- (4) Filler cap

## TUBELESS TYRES

This motorcycle is equipped with tubeless tyres, valves, and wheel rims. Use only tyres marked "TUBELESS" and tubeless valves on rims marked "TUBELESS TYRE APPLICABLE."

Proper air pressure will provide maximum stability, riding comfort and tyre life. Check tyre pressure frequently and adjust if necessary.

### NOTE:

- \* Tyre pressure should be checked before you ride while the tyres are "cold".
- \* Tubeless tyres have some degree of selfsealing ability if they are punctured, and leakage is often very slow. Inspect very closely for punctures, especially if the tyre is not fully inflated.

Tyre size	
Front	130/70 ZR16
Rear	180/55 ZR17
Cold tyre pressures kPa (kgf/cm <sup>2</sup> , psi)	Driver only Front 250 (2.50 , 36) Rear 290 (2.90 , 42)
	Driver and one passenger Front 250 (2.50 , 36) Rear 290 (2.90 , 42)
Tyre brand TUBELESS ONLY	BRIDGESTONE Front BT-56F RADIAL Rear BT-56R RADIAL G
	MICHELIN Front TX15 Rear TX25



Check the tyres for cuts, embedded nails or other sharp objects. Check the rims for dents or deformation. If there is any damage, see your authorized Honda dealer for repair, replacement, and balancing.

**▲ WARNING**

- \* **Improper tyre inflation will cause abnormal tread wear and create a safety hazard. Underinflation may result in the tyre slipping on, or coming off of the rim causing tyre deflation that may result in a loss of vehicle control.**
- \* **Operation with excessively worn tyres is hazardous and will adversely affect traction and handling.**

Replace tyres before tread depth at the center of the tyre reaches the following limit:

Minimum tread depth	
Front :	1.5 mm (0.06 in)
Rear :	2.0 mm (0.08 in)

**NOTE:** < For Germany >

- \* German law prohibits use of tyres whose tread depth is less than 1.6 mm.

## **Tyre Repair/Replacement:**

See your authorized Honda Dealer.

### **▲WARNING**

- \* The use of tyres other than those listed on the tyre information label may adversely affect handling.
- \* Do not install tube-type tyres on tubeless rims. The beads may not seat and the tyres could slip on the rims, causing tyre deflation that may result in a loss of vehicle control.
- \* Do not install a tube inside a tubeless tyre. Excessive heat build-up may cause the tube to burst resulting in rapid tyre deflation that may result in a loss of vehicle control.
- \* Replace the tyre if the sidewall is punctured or damaged. Sidewall flexing may cause repair failure and tyre deflation that may result in a loss of vehicle control.

### **▲WARNING**

- \* To avoid possible repair failure and tyre deflation that may result in a loss of vehicle control, do not exceed 80 km/h (50 mph) for the first 24 hours, or 130 km/h (80 mph) at any time, after tyre repair.
- \* Proper wheel balance is necessary for safe, stable handling of the motorcycle. Do not remove or change any wheel balance weights. When wheel balancing is required, see your authorized Honda dealer. Wheel balancing is required after tyre repair or replacement.

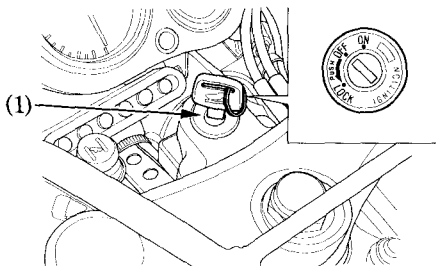
### **CAUTION:**

- \* Do not try to remove tubeless tyres without special tools and rim protectors. You may damage the rim sealing surface or disfigure the rim.

## ESSENTIAL INDIVIDUAL COMPONENTS

### IGNITION SWITCH

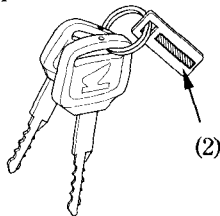
The ignition switch (1) is below the indicator panel.



(1) Ignition switch

You should received a key number plate with your key.

You will need this key number if you ever have to replace a lost key. Store this plate in a safe place.



(2) Key number plate

Key Position	Function	Key Removal
LOCK (steering lock)	Steering is locked. Engine and lights cannot be operated.	Key can be removed
OFF	Engine and lights cannot be operated.	Key can be removed
ON	Engine and lights can be operated.	Key cannot be removed

## RIGHT HANDLEBAR CONTROLS

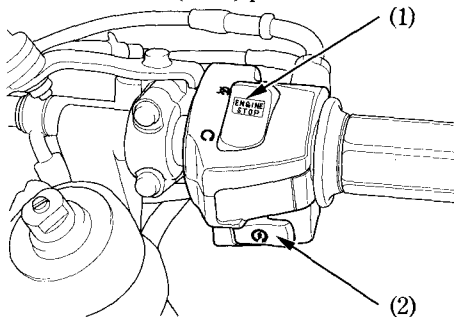
### Engine Stop Switch

The engine stop switch (1) is next to the throttle grip. When the switch is in the

○ (RUN) position, the engine will operate.

When the switch is in the ☒ (OFF) position, the engine will not operate. This switch is intended primarily as a safety or e-

mergency switch and should normally remain in the ○ (RUN) position.



(1) Engine stop switch

(2) Starter button

### Starter Button

The starter button (2) is below the engine stop switch (1).

When the starter button is pressed, the starter motor cranks the engine. If the engine stop switch is in the ☒ (OFF) position, the starter motor will not operate. See page 51 for the starting procedure.

## LEFT HANDLEBAR CONTROLS

< Except U type >

### Headlight Switch (1)

The headlight switch (1) has three positions: ☼, ☼☼ and OFF, marked by a white dot under ☼☼.

☼ : Headlight, taillight, position light and meter lights on.

☼☼ : Position light, taillight and meter lights on.

OFF(dot): Headlight, taillight, position light and meter lights off.

### Headlight Dimmer Switch (2)

Push the dimmer switch to ≡D (HI) to select high beam or to ≡D (LO) to select low beam.

### Passing Light Control Switch (3)

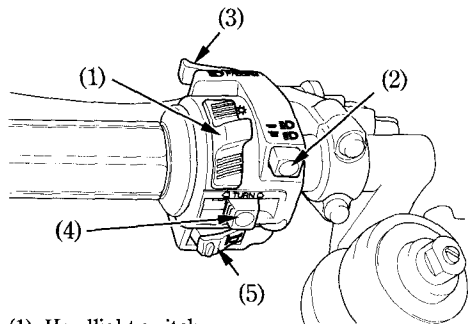
When this switch is pressed, the headlight flashes on to signal approaching cars or when passing.

### Turn Signal Switch (4)

Move to ⇐ (L) to signal a left turn, ⇨ (R) to signal a right turn. Press to turn signal off.

### Horn Button (5)

Press the button to sound the horn.

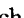
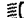


- (1) Headlight switch
- (2) Headlight dimmer switch
- (3) Passing light control switch
- (4) Turn signal switch
- (5) Horn button

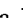

## LEFT HANDLEBAR CONTROLS

< U type only >

### Headlight Dimmer Switch (1)

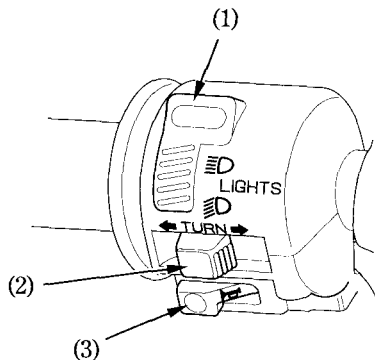
Push the dimmer switch to  D (HI) to select high beam or to  D (LO) to select low beam.

### Turn Signal Switch (2)

Move to  (L) to signal a left turn,  (R) to signal a right turn. Press to turn signal off.

### Horn Button (3)

Press the button to sound the horn.



- (1) Headlight dimmer switch
- (2) Turn signal switch
- (3) Horn button

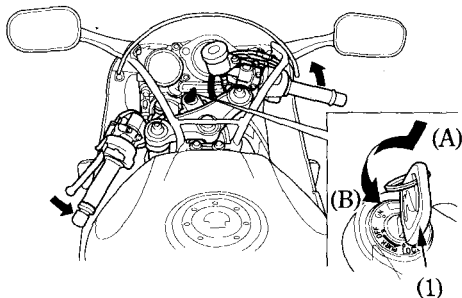
## FEATURES (Not required for operation)

### STEERING LOCK

To lock the steering, turn the handlebars all the way to the left or right, turn the key (1) to LOCK while pushing in. Remove the key.

#### **▲WARNING**

\* Do not turn the key to LOCK while riding the motorcycle; loss of vehicle control will result.



(1) Ignition key

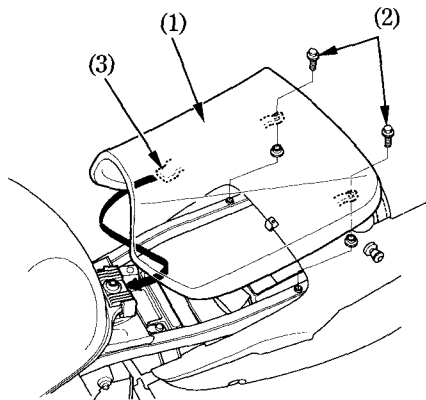
(A) Push in

(B) Turn to LOCK

## SEAT

### Front seat

To remove the front seat (1), pull up the seat end and remove the two mounting bolts (2), and then pull the seat back and up. To install the front seat, insert the tab (3) into the recess under the frame and tighten the mount bolts securely.



(1) Front seat  
(2) Mounting bolts

(3) Tab

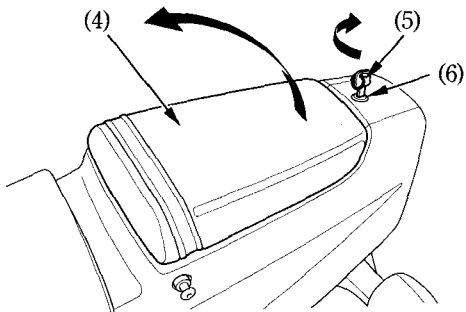


### Rear seat

To open the rear seat (4) , insert the ignition key (5) into the seat lock (6) and turn it clockwise.

Pull the seat back and up.

To close the rear seat , push down on the rear of the seat.



(4) Rear seat

(5) Ignition key

(6) Seat lock

## HELMET HOLDER

### 〈 Except IT type 〉

The helmet holder is on the back side of the rear seat.

Open the rear seat (1). (see page 41).

Hang the helmets on the holder hook (2).

Close the rear seat and lock it securely.

### 〈 IT type only 〉

The helmet holder is on the back side of the rear seat.

Open the rear seat (1). (see page 41).

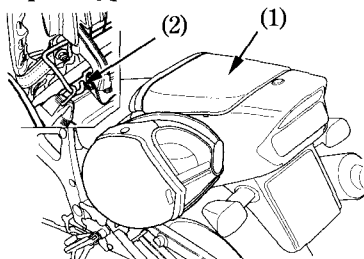
Run the wire end through the D-ring (3) of the helmet, then hang it on the holder hook (2).

Close the rear seat and lock it securely.

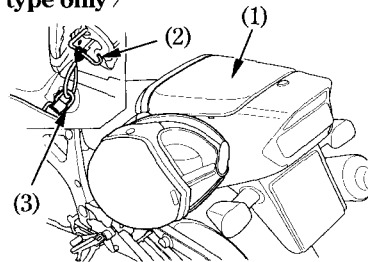
### **▲WARNING**

**\*The helmet holder is designed for helmet security while parked. Do not ride with a helmet attached to the holder; the helmet may interfere with safe operation and result in loss of control.**

### 〈 Except IT type 〉



### 〈 IT type only 〉



- (1) Rear seat  
(2) Holder hook

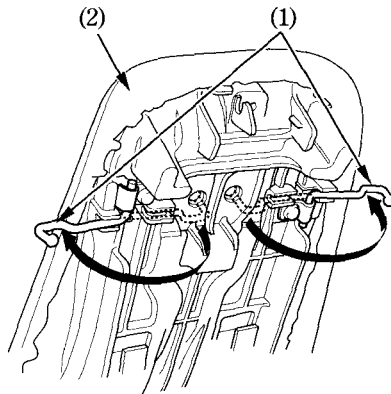
- (3) D-ring

## LUGGAGE TIE-DOWN HOOKS

This motorcycle is equipped with the retractable luggage tie-down hook (1) on the back side of the rear seat (2). Use this hook to secure the luggage.

### CAUTION:

**\* Never use the tie-down hooks to tow or lift the motorcycle.**

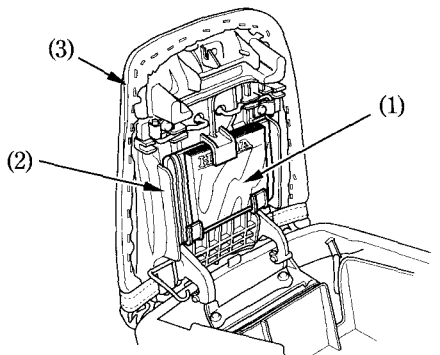


- (1) Luggage tie-down hooks
- (2) Rear seat

## DOCUMENT BAG

The document bag (1) is in the document compartment (2) on the reverse side of the rear seat (3).

This owner's manual and other documents should be stored in the document bag. When washing your motorcycle, be careful not to flood this area with water.



(1) Document bag

(2) Document compartment

(3) Rear seat

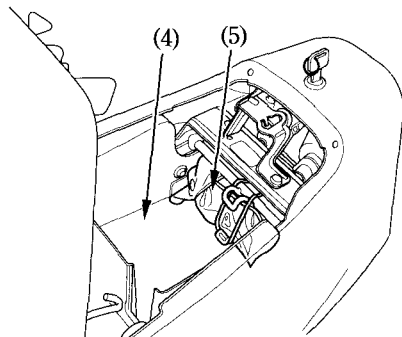
## STORAGE COMPARTMENT

The storage compartment (4) is under the rear seat.

This compartment is for light weight items. Do not carry more than 2.0 kg (4.4 lbs) in this compartment.

The tool kit (5) should be stored in the compartment.

When washing your motorcycle, be careful not to flood this area with water.



(4) Storage compartment

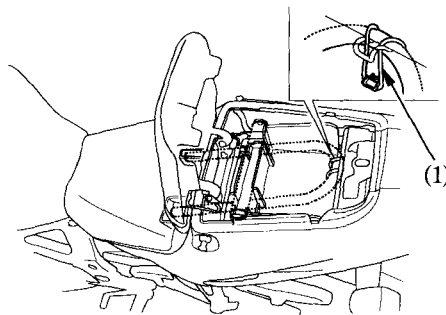
(5) Tool kit

## STORAGE COMPARTMENT FOR U-SHAPED ANTI-THEFT LOCK

The rear fender has a storage compartment to store a U-shaped anti-theft lock under the seat. After storing, be sure to fasten the lock with the rubber band (1) securely.

### NOTE:

- \* Some U-shaped locks may not be stored in the compartment due to their size or design.



(1) Rubber band

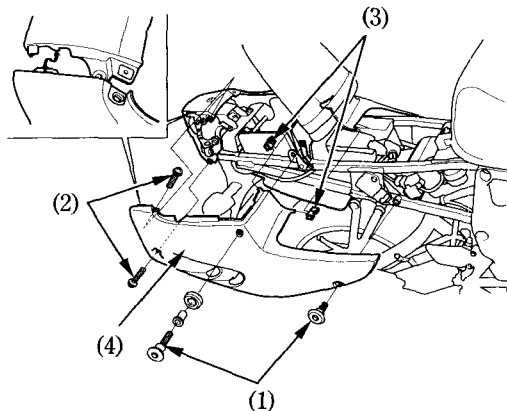
## SIDE COVER

### Removal:

1. Remove the front seat. (see page 40)
2. Open the rear seat. (see page 41)
3. Remove the bolts (1).
4. Remove the screws (2).
5. Remove the clips (3).
6. Remove the side covers (4) by pulling them toward you.

### Installation:

1. Installation can be done in the reverse order of removal.



(1) Bolts  
(2) Screws

(3) Clips  
(4) Side cover

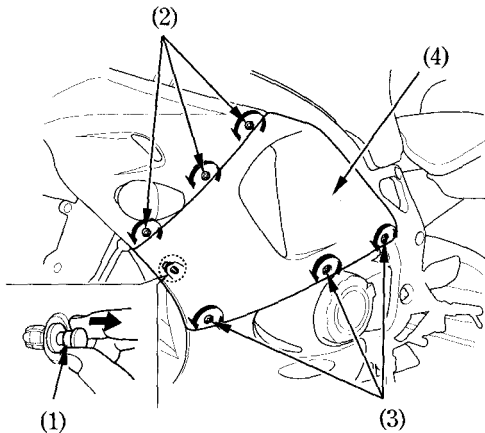
## MIDDLE FAIRING

### Removal:

1. Pull the tab (1).
2. Turn the lower clips (3) 90° counterclockwise, then turn the upper clip (2).
3. Pull down the middle fairing (4) and remove it.

### Installation:

1. Install the middle fairing (4) from the up side.
2. Turn the upper clips (2) 90° clockwise, then turn the lower clips (3).
3. Push the tab (1).



(1) Tab

(2) Upper clips

(3) Lower clips

(4) Middle fairing

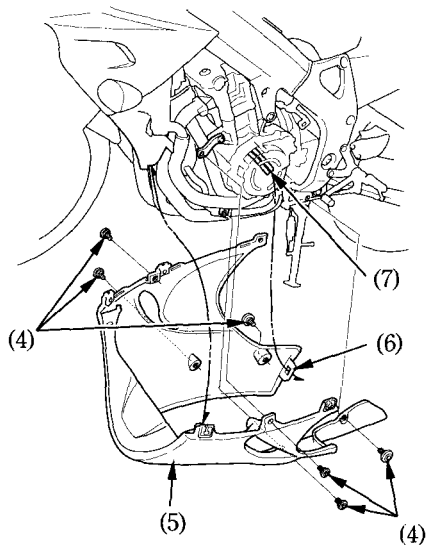
## LOWER FAIRING

### Removal:

1. Remove the middle fairing. ( page 47)
2. Remove the bolts (4).
3. Remove the lower fairing (5).

### Installation:

1. Installation can be done in the reverse order of removal.
- Run the tubes through the clip of the lower fairing.



(4) Bolts  
(5) Lower fairing

(6) Clip  
(7) Tube



# OPERATION

## PRE-RIDE INSPECTION

### **▲WARNING**

**\* If the Pre-ride Inspection is not performed, severe personal injury or vehicle damage may result.**

Inspect your motorcycle every day before you ride it. The items listed here will only take a few minutes to inspect, and in the long run they can save time, expense, and possibly your life.

1. Engine oil level—add engine oil if required (page 31). Check for leaks.
2. Fuel level—fill fuel tank when necessary (page 28). Check for leaks.
3. Coolant level—add coolant if required. Check for leaks (pages 25 – 26).
4. Front and rear brakes—check operation; make sure there is no brake fluid leakage (pages 19 – 22).

5. Tyres—check condition and pressure (pages 32 – 34).
6. Drive chain—check condition and slack (page 76). Adjust and lubricate if necessary.
7. Throttle—check for smooth opening and full closing in all steering positions.
8. Lights and horn—check that headlight, tail/brake light, turn signals, indicators and horn function properly.
9. Engine stop switch—check for proper function (page 36).
10. Side stand ignition cut-off system—check for proper function (page 84).

Correct any discrepancy before you ride. Contact your authorized Honda dealer for assistance if you cannot correct the problem.

## STARTING THE ENGINE

This motorcycle is equipped with a side stand ignition cut-off system. The engine cannot be started if the side stand is down, unless the transmission is in neutral. If the side stand is up, the engine can be started in neutral or in gear with the clutch lever pulled in. After starting with the side stand down, the engine will shut off if the transmission is put in gear before raising the side stand.

### **▲WARNING**

**\* Never run the engine in an enclosed area. The exhaust contains poisonous carbon monoxide gas that can cause loss of consciousness and lead to death.**

### NOTE:

\* Do not use the electric starter for more than 5 seconds at a time. Release the starter button for approximately 10 seconds before pressing it again.

## Preparation

Before starting, insert the key, turn the ignition switch ON and confirm the following:

- The transmission is in NEUTRAL (neutral indicator light ON).
- The engine stop switch is at  $\bigcirc$  (RUN).
- The red low oil pressure indicator is ON.
- The fuel cock is ON.

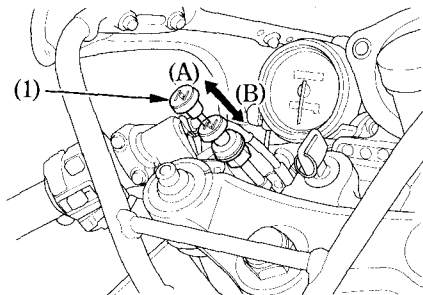
## Starting Procedure

To restart a warm engine, follow the procedure for “High Air Temperature.”

### Normal Air Temperature

10° – 35° C (50° – 95° F)

1. Pull the choke knob (1) up all the way to Fully ON (A), if the engine is cold.
2. Start the engine, leaving the throttle closed.



(1) Choke knob

(A) Fully ON

(B) Fully OFF

### NOTE:

- \* Do not open the throttle when starting the engine with the choke ON. This will lean the mixture, resulting in hard starting.
3. Immediately after the engine starts, operate the choke knob (1) to keep fast idle at :  
2,000 – 3,000 min<sup>-1</sup> (rpm)
  4. About a quarter minute after the engine starts, push the choke knob (1) down all the way to Fully OFF (B).
  5. If idling is unstable, open the throttle slightly.

### CAUTION:

\* The red low oil pressure indicator should go off a few seconds after the engine starts. If the light stays on, stop the engine immediately and check engine oil level. Operating the engine with insufficient oil pressure can cause serious engine damage.

### High Air Temperature

35°C (95°F) or above

1. Do not use the choke.
2. Open the throttle slightly.
3. Start the engine.

### Low Air Temperature

10°C (50°F) or below

1. Follow steps 1 – 2 under “Normal Air Temperature.”
2. When engine speed begins to pick up, operate the choke knob to keep fast idle at:  
 $2,000 - 3,000 \text{ min}^{-1} (\text{rpm})$
3. Continue warming up the engine until it runs smoothly and responds to the throttle when the choke knob (1) is at Fully OFF (B).

### **CAUTION:**

- \* **Snapping the throttle or fast idling for more than about 5 minutes at normal air temperature may cause exhaust pipe discoloration.**
- \* **Extended use of the choke may impair piston and cylinder wall lubrication and damage the engine.**

### **Flooded Engine**

If the engine fails to start after repeated attempts, it may be flooded with excess fuel. To clear a flooded engine, leave the engine stop switch on  $\bigcirc$  (RUN) and push the choke knob down to Fully OFF (B). Open the throttle fully and crank the engine for 5 seconds. If the engine starts, quickly close the throttle, then open it slightly if idling is unstable. If the engine does not start, wait 10 seconds, then follow the Starting Procedure.

## **RUNNING-IN**

During initial running-in newly machined surfaces will be in contact with each other and these surfaces will wear in quickly. Running-in maintenance at 1,000km (600 miles) is designed to compensate for this initial minor wear. Timely performance of the running-in maintenance will ensure optimum service life and performance from the engine.

The general rules as follows:

1. Never labour the engine with full throttle at low engine speeds. This rule is applicable not only during running-in but at all times.
2. Maximum continuous engine speed during the first 1,000 km ( 600 miles) must not exceed  $5,000 \text{ min}^{-1}$  (rpm).
3. Increase the maximum continuous engine speed by  $2,000 \text{ min}^{-1}$  (rpm) between odometer readings of 1,000 km ( 600 miles) and 1,600 km (1,000 miles). Drive briskly, vary speeds frequently and use full throttle for short bursts only. Do not exceed  $7,000 \text{ min}^{-1}$  (rpm).

4. Upon reaching an odometer reading of 1,600 km (1,000 miles), you can subject the motorcycle to full throttle operation. However, do not exceed  $11,000 \text{ min}^{-1}$  (rpm) at any time (tachometer red zone limit).

### **CAUTION:**

- \* **Running the engine beyond recommended maximum engine speed (tachometer red zone) can damage the engine.**

## RIDING

### **▲WARNING**

- \* **Review Motorcycle Safety (pages 1 – 5 ) before you ride.**

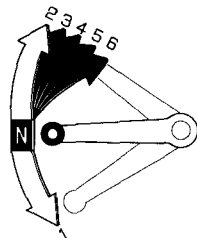
### NOTE:

- \* **Make sure you understand the function of the side stand mechanism. (See MAINTENANCE SCHEDULE on page 62 and explanation for SIDE STAND on page 84 )**
1. After the engine has been warmed up, the motorcycle is ready for riding.
  2. While the engine is idling, pull in the clutch lever and depress the gearshift pedal to shift into 1st (low) gear.
  3. Slowly release the clutch lever and at the same time gradually increase engine speed by opening the throttle. Coordination of the throttle and clutch lever will assure a smooth positive start.

4. When the motorcycle attains a moderate speed, close the throttle, pull in the clutch lever and shift to 2nd gear by raising the gearshift pedal.

This sequence is repeated to progressively shift to 3rd, 4th, 5th and 6th(top) gear.

5. Coordinate the throttle and brakes for smooth deceleration.
6. Both front and rear brakes should be used at the same time and should not be applied strongly enough to lock the wheel, or braking effectiveness will be reduced and control of the motorcycle be difficult.



## **LOW ALTITUDE RIDING**

〈 **MX type only** 〉

When operating this motorcycle at low altitude, the air-fuel mixture becomes overly lean. Below 1,000 m (3,300 feet), driveability and performance may be reduced. The carburetor can be modified to compensate for this low altitude leanness. However, the carburetor must be returned to standard factory specifications when higher altitude riding is desired. See your authorized Honda dealer for low altitude adjustments.

### **CAUTION:**

- \* **Sustained operation at altitudes above 1,500 m (5,000 feet) with low altitude carburetor modifications may cause flooded engine.**



## **BRAKING**

1. For normal braking, gradually apply both the front and rear brakes while downshifting to suit your road speed.
2. For maximum deceleration, close the throttle and apply the front and rear brakes firmly. Pull in the clutch lever before coming to a complete stop to prevent stalling the engine.

### **▲WARNING**

- \* Independent use of only the front or rear brake reduces stopping performance. Extreme braking may cause either wheel to lock, reducing control of the motorcycle.
- \* When possible, reduce speed or brake before entering a turn; closing the throttle or braking in mid-turn may cause wheel slip. Wheel slip will reduce control of the motorcycle.

### **▲WARNING**

- \* When riding in wet or rainy conditions, or on loose surfaces, the ability to maneuver and stop will be reduced. All of your actions should be smooth under these conditions. Rapid acceleration, braking or turning may cause loss of control. For your safety, exercise extreme caution when braking, accelerating or turning.
- \* When descending a long, steep grade, use engine compression braking by downshifting, with intermittent use of both brakes. Continuous brake application can overheat the brakes and reduce their effectiveness.
- \* Riding with your foot resting on the brake pedal or your hands on the brake lever may actuate the brakelight, giving a false indication to other drivers. It may also overheat the brake, reducing effectiveness.

## **PARKING**

1. After stopping the motorcycle, shift the transmission into neutral, turn the fuel cock OFF, turn the handlebar fully to the left, turn the ignition switch OFF and remove the key.
2. Use the side stand to support the motorcycle while parked.

### **CAUTION:**

- \* **Park the motorcycle on firm, level ground to prevent it from falling over.**
  - \* **If you must park on a slight incline, aim the front of the motorcycle uphill to reduce the possibility of rolling off the side stand or overturning.**
3. Lock the steering to help prevent theft (page 39).

## ANTI-THEFT TIPS

1. Always lock the steering and never leave the key in the ignition switch. This sounds simple but people do forget.
2. Be sure the registration information for your motorcycle is accurate and current.
3. Park your motorcycle in a locked garage whenever possible.
4. Use an additional anti-theft device of good quality.
5. Put your name, address, and phone number in this Owner's Manual and keep it on your motorcycles at all times.

Many times stolen motorcycles are identified by information in the Owner's Manuals that are still with them.

NAME: \_\_\_\_\_

ADDRESS: \_\_\_\_\_

\_\_\_\_\_

\_\_\_\_\_

PHONE NO: \_\_\_\_\_

## **MAINTENANCE**

- The Required Maintenance Schedule specifies how often you should have your motorcycle served, and what things need attention. It is essential that your motorcycle be served as scheduled to retain its high level of safety, dependability, and emission control performance.
- These instructions are based on the assumption that the motorcycle will be used exclusively for its designed purpose. Sustained high speed operation, or operation in unusually wet or dusty conditions, will require more frequent service than specified in the MAINTENANCE SCHEDULE. Consult your authorized Honda dealer for recommendations applicable to your individual needs and use.

## MAINTENANCE SCHEDULE

The following Maintenance Schedule specifies all maintenance required to keep your motorcycle in peak operating condition. Maintenance work should be performed in accordance with standards and specifications of Honda by properly trained and equipped technicians. Your authorized Honda dealer meets all of these requirements.

Perform the Pre-ride Inspection (page 49 ) at each scheduled maintenance period.

I: INSPECT AND CLEAN, ADJUST, LUBRICATE OR REPLACE IF NECESSARY

C: CLEAN R: REPLACE A: ADJUST L: LUBRICATE

ITEMS	FREQUENCY	WHICHEVER COMES FIRST ↓ NOTE	ODOMETER READING [NOTE (1)]								Refer to pages
			x 1.000 km	1	6	12	18	24	30	36	
			x 1.000 mi	0.6	4	8	12	16	20	24	
		MONTHS		6	12	18	24	30	36		
* FUEL LINE					I			I		I	—
* THROTTLE OPERATION					I			I		I	74
* CARBURETOR CHOKE					I			I		I	—
* AIR CLEANER		NOTE (2)					R			R	—
SPARK PLUG					I			R		I	72
* VALVE CLEARANCE								I			—
ENGINE OIL				R		R		R		R	68
ENGINE OIL FILTER				R		R		R		R	69
* CARBURETOR SYNCHRONIZATION						I		I		I	—
* ENGINE IDLE SPEED				I	I	I	I	I	I	I	75
RADIATOR COOLANT		NOTE (3)				I		I		R	25
* COOLING SYSTEM						I		I		I	—
* SECONDARY AIR SUPPLY SYSTEM		NOTE (4)				I		I		I	—

ITEMS	FREQUENCY	WHICHEVER → COMES FIRST ↓ NOTE	ODOMETER READING [NOTE (1)]								Refer to pages
			x 1,000 km	1	6	12	18	24	30	36	
			x 1,000 mi	0.6	4	8	12	16	20	24	
			MONTH		6	12	18	24	30	36	
DRIVE CHAIN			EVERY 1,000 km (600 mi) I, L								76
DRIVE CHAIN SLIDER				I			I		I	82	
BRAKE FLUID		NOTE (3)		I	I	R	I	I	R	19	
BRAKE PAD WEAR				I	I	I	I	I	I	92	
BRAKE SYSTEM			I		I		I		I	19, 92	
* BRAKE LIGHT SWITCH					I		I		I	—	
* HEADLIGHT AIM					I		I		I	—	
CLUTCH SYSTEM			I	I	I	I	I	I	I	23	
SIDE STAND					I		I		I	84	
* SUSPENSION					I		I		I	83	
* NUTS, BOLTS, FASTENERS			I		I		I		I	—	
** WHEELS/ TYRES					I		I		I	—	
** STEERING HEAD BEARINGS			I		I		I		I	—	

- \* SHOULD BE SERVICED BY YOUR AUTHORIZED HONDA DEALER, UNLESS THE OWNER HAS PROPER TOOLS AND SERVICE DATA AND IS MECHANICALLY QUALIFIED. REFER TO THE OFFICIAL HONDA SHOP MANUAL.
- \*\* IN THE INTEREST OF SAFETY, WE RECOMMEND THESE ITEMS BE SERVICED ONLY BY YOUR AUTHORIZED HONDA DEALER.

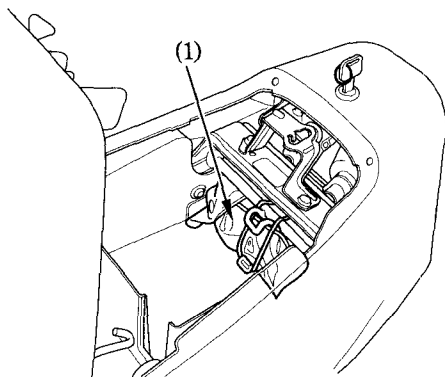
Honda recommends that your authorized Honda dealer should road test your motorcycle after each periodic maintenance is carried out.

- NOTES :
1. At higher odometer readings, repeat at the frequency interval established here.
  2. Service more frequently when riding in unusually wet or dusty areas.
  3. Replace every 2 years, or at indicated odometer interval, whichever comes first. Replacement requires mechanical skill.
  4. Switzerland and Austria type only.

## TOOL KIT

The tool kit (1) is under the rear seat. Some roadside repairs, minor adjustments and parts replacement can be performed with the tools contained in the kit.

- Pin spanner
- Spark plug wrench
- 10 × 12 mm box end wrench
- 8 × 12 mm open end wrench
- 10 × 14 mm open end wrench
- Pliers
- No.2 Phillips screwdriver
- No.2 screwdriver
- Screwdriver grip
- Extension bar
- 5 mm hex wrench
- 22 mm box end wrench
- 27 mm box end wrench
- Feeler gauge 0.7 mm
- Tool bag



(1) Tool kit

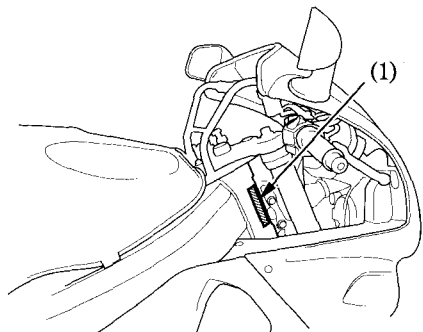


## SERIAL NUMBERS

The frame and engine serial numbers are required when registering your motorcycle. They may also be required by your dealer when ordering replacement parts.

Record the numbers here for your reference.

FRAME NO. \_\_\_\_\_

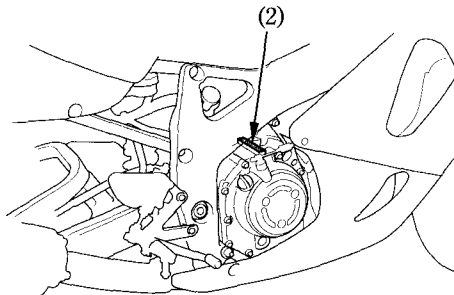


(1) Frame number

The frame number (1) is stamped on the right side of the steering head.

The engine number (2) is stamped on top of the crankcase.

ENGINE NO. \_\_\_\_\_



(2) Engine number

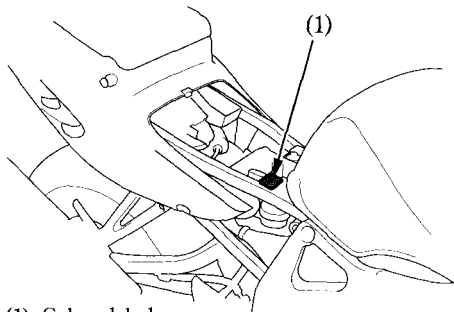
## COLOUR LABEL

The colour label (1) is attached to the frame below the front seat (See page 40 ).

It is helpful when ordering replacement parts. Record the colour and code here for your reference.

COLOUR \_\_\_\_\_

CODE \_\_\_\_\_



(1) Colour label

## MAINTENANCE PRECAUTIONS

### **▲WARNING**

- \* If your motorcycle is overturned or involved in a collision, inspect control levers, cables, brake hoses, calipers, accessories, and other vital parts for damage. Do not ride the motorcycle if damage impairs safe operation. Have your authorized Honda dealer inspect the major components, including frame, suspension and steering parts, for misalignment and damage that you may not be able to detect.
- \* Use new, genuine Honda parts or their equivalent for maintenance and repair. Parts which are not of equivalent quality may impair the safety of your motorcycle and the effective operation of the emission control systems.

### **▲WARNING**

- \* Stop the engine and support the motorcycle securely on a firm, level surface before performing any maintenance.

## ENGINE OIL

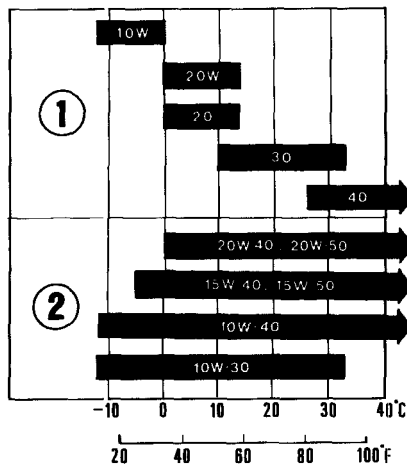
(Refer to the maintenance precautions on page 67).

### Engine Oil

Good engine oil has many desirable qualities. Use only high detergent, quality motor oil certified on the container to meet or exceed requirements for API Service Classification SE, SF or SG.

### Viscosity:

Viscosity grade of engine oil should be based on average atmospheric temperature in your riding area. The following provides a guide to the selection of the proper grade or viscosity of oil to be used at various atmospheric temperatures.



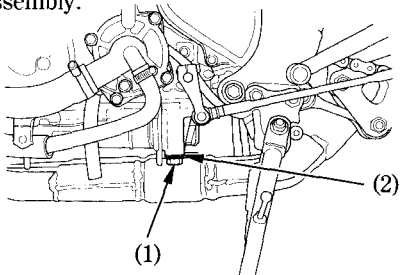
(1) Single grade

(2) Multi grade

## Engine Oil and Filter

Engine oil quality is the chief factor affecting engine service life. Change the engine oil as specified in the maintenance schedule (page 61).

Changing the oil filter requires a special oil filter tool and a torque wrench. If you do not have these tools and the necessary skill, we recommend that you have your authorized Honda dealer perform this service. If a torque wrench is not used for this installation, see your authorized Honda dealer as soon as possible to verify proper assembly.



(1) Oil drain plug

(2) Sealing washer

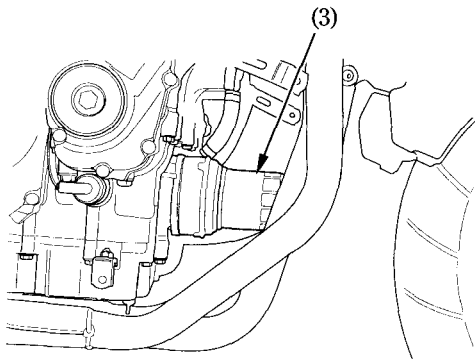
### NOTE:

\* Change the engine oil with the engine at normal operating temperature and the motorcycle on its side stand to assure complete and rapid draining.

### CAUTION:

\* **To prevent oil leaks and filter damage, never support the engine on the oil filter.**

1. Remove the middle fairing (page 47) and the lower fairing (page 48).
2. To drain the oil, remove the oil filler cap and crankcase drain plug (1) and sealing washer (2).

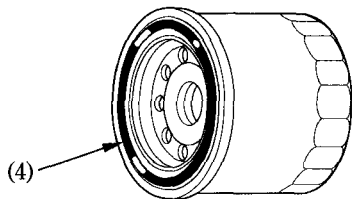


(3) Oil filter

**▲WARNING**

**\* A warmed-up engine and the oil in it are hot; be careful not to burn yourself.**

3. Remove the oil filter (3) with a filter wrench and let the remaining oil drain out.
4. Apply a thin coat of engine oil to the new oil filter rubber seal (4).
5. Using a special tool and a torque wrench, install the new oil filter and tighten to a torque of:  
10 N·m (1.0 kgf·m , 7 lbf·ft)



(4) Oil filter rubber seal

6. Use only the Honda genuine oil filter or a filter of equivalent quality specified for your model. Using the wrong Honda filter or a non-Honda filter which is not of equivalent quality may cause engine damage.
7. Check that the sealing washer on the drain plug is in good condition and install the plug. Replace the sealing washer every other time the oil is changed, or each time if necessary.  
Oil Drain Plug Torque:  
30 N·m (3.1 kgf·m , 22 lbf·ft)
8. Fill the crankcase with the recommended grade oil; approximately:  
3.6 ℓ (3.8 US qt , 3.2 Imp qt)
9. Install the oil filler cap.
10. Start the engine and let it idle for 2–3 minutes.
11. Several minutes after stopping the engine, check that the oil level is at the upper level mark on the dipstick with the motorcycle upright on firm, level ground. Make sure there are no oil leaks.

**NOTE:**

- \* When running in very dusty conditions, oil changes should be performed more frequently than specified in the maintenance schedule.
- \* Please dispose of used engine oil in a manner that is compatible with the environment. We suggest you take it in a sealed container to your local recycling center or service station for reclamation. Do not throw it in the rubbish or pour it on the ground or down a drain.

**CAUTION:**

- \* **Used engine oil may cause skin cancer if repeatedly left in contact with the skin for prolonged periods. Although this is unlikely unless you handle used oil on a daily basis, it is still advisable to thoroughly wash your hands with soap and water as soon as possible after handling used oil.**

## **SPARK PLUGS**

(Refer to the maintenance precautions on page 67 ).

Recommended plugs:

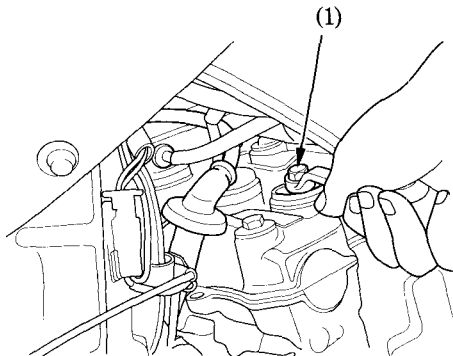
Standard:

CR9EH-9 (NGK) or  
U27FER 9 (NIPPONDENSO)

For cold climate: (Below 5°C, 41°F)

CR8EH-9 (NGK) or  
U24FER 9 (NIPPONDENSO)

1. Remove the right and left middle fairing (page 47 ) to remove the spark plugs.
2. Disconnect the spark plug caps from the spark plugs.
3. Clean any dirt from around the spark plug base. Remove the spark plug using the plug wrench (1) furnished in the tool kit.



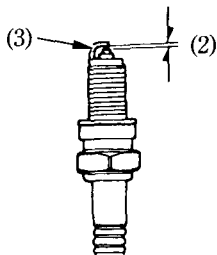
(1) Spark plug wrench



4. Inspect the electrodes and center porcelain for deposits, erosion or carbon fouling. If the erosion or deposit is heavy, replace the plug. Clean a carbon or wet-fouled plug with a plug cleaner, otherwise use a wire brush.
5. Check the spark plug gap (2) using a wire-type feeler gauge. If adjustment is necessary, bend the side electrode (3) carefully.

The gap should be:

0.80 – 0.90 mm (0.031 – 0.035 in)



(2) Spark plug gap

(3) Side electrode

6. With the plug washer attached, thread the spark plug in by hand to prevent cross-threading.
7. Tighten a new spark plug 1/2 turn with a spark plug wrench to compress the washer. If you are reusing a plug, it should only take 1/8–1/4 turn after the plug seats.
8. Reinstall the spark plug caps.

**CAUTION:**

- \* **The spark plug must be securely tightened. An improperly tightened plug can become very hot and possibly damage the engine.**
- \* **Never use a spark plug with an improper heat range. Severe engine damage could result.**

## THROTTLE OPERATION

(Refer to the maintenance precautions on page 67).

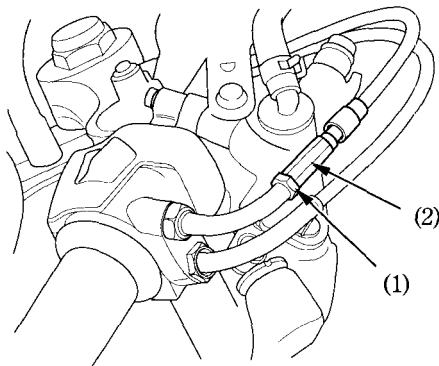
1. Check for smooth rotation of the throttle grip from the fully open to the fully closed position at both full steering positions.

2. Measure the throttle grip free play at the throttle grip flange.

The standard free play should be approx:

2–6 mm (0.08–0.24 in)

To adjust the free play, loosen the lock nut (1) and turn the adjuster (2).



(1) Lock nut

(2) Adjuster

## IDLE SPEED

(Refer to the maintenance precautions on page 67).

The engine must be at normal operating temperature for accurate idle speed adjustment. Ten minutes of stop-and-go riding is sufficient.

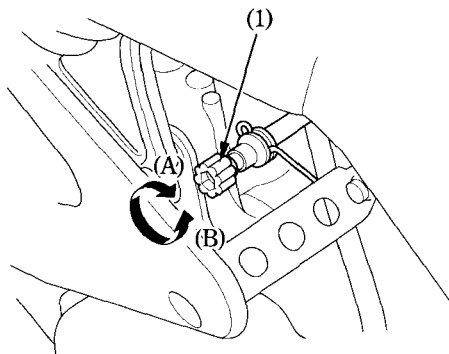
### NOTE:

\* Do not attempt to compensate for faults in other systems by adjusting idle speed. See your authorized Honda dealer for regularly scheduled carburetor adjustments, including individual carburetor adjustment and synchronization.

1. Warm up the engine, shift to neutral and place the motorcycle on its stand.
2. Adjust idle speed with the throttle stop screw (1).

Idle speed (In neutral):

$1,100 \pm 100 \text{ min}^{-1} (\text{rpm}) \dots \text{Except SW}$   
 $1,100 \pm 50 \text{ min}^{-1} (\text{rpm}) \dots \text{SW}$



(1) Throttle stop screw

(A) Increase

(B) Decrease

## DRIVE CHAIN

(Refer to the maintenance precautions on page 67).

The service life of the drive chain is dependent upon proper lubrication and adjustment. Poor maintenance can cause premature wear or damage to the drive chain and sprockets.

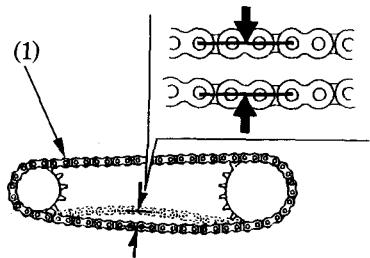
The drive chain should be checked and lubricated as part of the Pre-ride Inspection (page 49). Under severe usage, or when the motorcycle is ridden in unusually dusty or muddy areas, more frequent maintenance will be necessary.

### Inspection:

1. Turn the engine off, place the motorcycle on its side stand and shift the transmission into neutral.
2. Check slack in the lower drive chain run midway between the sprockets. Drive chain slack should be adjusted to allow the following vertical movement by hand:

30 – 40 mm (1.2 – 1.6 in)

3. Roll the motorcycle forward. Stop. Check drive chain slack. Repeat this procedure several times. Drive chain slack should remain constant. If the chain is slack only in certain sections, some links are kinked and binding. Binding and kinking can frequently be eliminated by lubrication.



(1) Drive chain

4. Rotate the rear wheel slowly and inspect the drive chain and sprockets for any of the following conditions:

**DRIVE CHAIN**

- \*Damaged Rollers
- \*Loose Pins
- \*Dry or Rusted Links
- \*Kinked or Binding Links
- \*Excessive Wear
- \*Improper Adjustment
- \*Missing O-rings

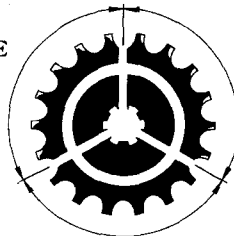
**SPROCKETS**

- \*Excessively Worn Teeth
- \*Broken or Damaged Teeth

A drive chain with damaged rollers, loose pins, or missing O-rings must be replaced. A chain which appears dry, or shows signs of rust, requires supplementary lubrication. Kinked or binding links should be thoroughly lubricated and worked free. If links cannot be freed, the chain must be replaced.

Damaged Sprocket  
Teeth

**REPLACE**



Worn Sprocket  
Teeth

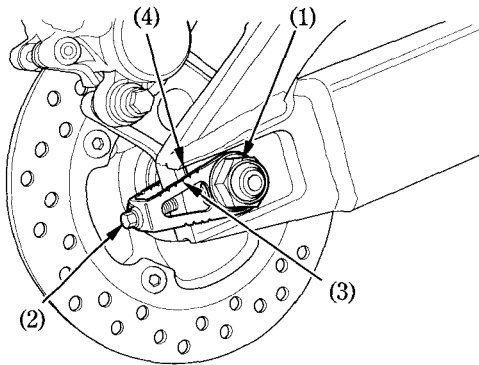
**REPLACE**

Normal Sprocket Teeth

**GOOD**

### Adjustment:

Drive chain slack should be checked and adjusted, if necessary, every 1,000 km (600 miles). When operated at sustained high speeds or under conditions of frequent rapid acceleration, the chain may require more frequent adjustment.



- |                    |                 |
|--------------------|-----------------|
| (1) Axle nut       | (3) Index marks |
| (2) Adjusting bolt | (4) Index mark  |

If the drive chain requires adjustment, the procedure is as follows:

1. Place the motorcycle on its side stand with the transmission in neutral and the ignition switch off.
2. Loosen the axle nut (1).
3. Turn both adjusting bolts (2) an equal number of turns until the correct drive chain slack is obtained. Turn the adjusting bolts counterclockwise to tighten the chain, or clockwise to provide more slack. Adjust the chain slack at a point midway between the drive sprocket and the rear wheel sprocket. Rotate the rear wheel and recheck slack at other sections of the chain.

Chain slack should be:

30 – 40 mm (1.2 – 1.6 in)

4. Check rear axle alignment by making sure the chain adjuster index marks (3) align with the index mark (4) on the swingarm.

Both left and right marks should correspond. If the axle is misaligned, turn the left or right adjusting nut until the marks correspond on the rear edge of the adjusting slots and recheck chain slack.

5. Tighten the axle nut to specified torque.

Axle nut torque:

95 N·m (9.7 kgf·m , 70 lbf·ft)

6. Tighten the adjusting bolts lightly.

**CAUTION:**

**\* Damage to the bottom part of the frame may be caused by excessive drive chain slack of more than:**

50 mm (2.0 in)

Wear inspection:

Check the chain wear label when adjusting the chain. If the red zone (5) on the label aligns with the long index mark (4) on the chain adjuster plates after the chain has been adjusted to the proper slack, the chain is excessively worn and must be replaced.

The proper slack is:

30 – 40 mm (1.2 – 1.6 in)

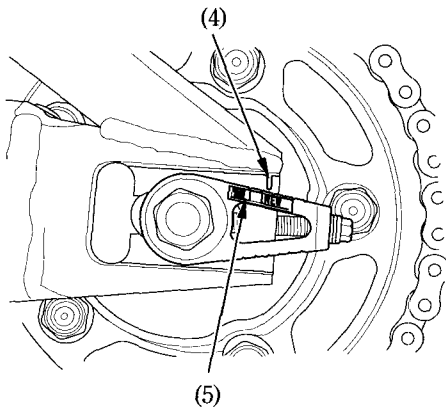
Replacement chain:

DID 525HV•GC&B

or

RK GB525ROZ1

This motorcycle has a staked master link drive chain which requires a special tool for cutting and staking. Do not use an ordinary master link with this chain. See your authorized Honda dealer.



(4) Index mark

(5) Red zone



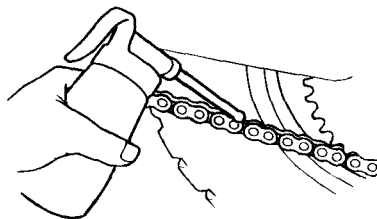
### Lubrication and cleaning:

Lubricate every 1,000 km (600 miles) or sooner if chain appears dry.

The O-rings in this chain can be damaged by steam cleaning, high pressure washers, and certain solvents. Clean the chain with high flash-point solvent, such as paraffin. Wipe dry and lubricate only with SAE 80 or 90 gear oil. Commercial chain lubricants may contain solvents which could damage the rubber O-rings.

### **CAUTION:**

**\* The drive chain on this motorcycle is equipped with small O-rings between the link plates. These O-rings retain grease inside the chain to improve its service life. However, special precautions must be taken when adjusting, lubricating, washing, and replacing the chain.**

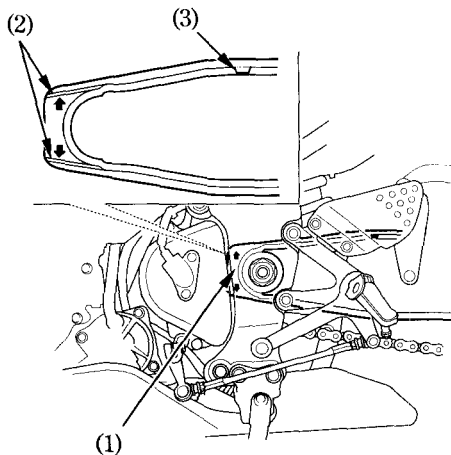


## **DRIVE CHAIN SLIDER**

(Refer to the maintenance precautions on page 67 ).

Check the chain slider (1) for wear.

The chain slider must be replaced if it is worn to the wear limit line (2) or bottom of the groove (3). For replacement, see your authorized Honda dealer.



- (1) Chain slider
- (2) Wear limit line
- (3) Wear indicator groove

## **FRONT AND REAR SUSPENSION INSPECTION**

(Refer to the maintenance precautions on page 67 ).

1. Check the fork assembly by locking the front brake and pumping the fork up and down vigorously. Suspension action should be smooth and there must be no oil leakage.
2. Swingarm bearings should be checked by pushing hard against the side of the rear wheel while the motorcycle is on a support block. Free play indicates worn bearings.
3. Carefully inspect all front and rear suspension fasteners for tightness.

## SIDE STAND

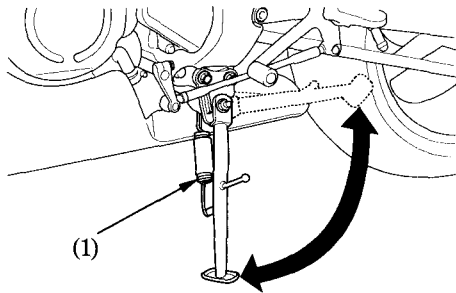
(Refer to the maintenance precautions on page 67 ).

Perform the following maintenance in accordance with the maintenance schedule.

### Functional Check:

- Check the spring (1) for damage or loss of tension and the side stand assembly for freedom of movement.
- Check the side stand ignition cut-off system:
  1. Sit astride the motorcycle; put the side stand up and the transmission in neutral.
  2. Start the engine and with the clutch lever pulled in, shift the transmission into gear.
  3. Lower the side stand. The engine should stop as you put the side stand down.

If the side stand system does not operate as described, see your authorized Honda dealer for service.



(1) Side stand spring

## WHEEL REMOVAL

(Refer to the maintenance precautions on page 67).

### NOTE:

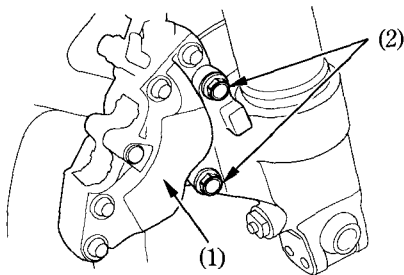
- \* This motorcycle is equipped with a side stand only. Therefore, if front or rear wheel removal is required, it will be necessary to raise the center of the motorcycle with a jack or other firm support. If none is available, see your authorized Honda dealer for this service.

## Front Wheel Removal

1. Raise the front wheel off the ground by placing a support block under the engine.
2. Remove the right and left caliper assembly (1) from the fork leg by removing the fixing bolts (2).

### CAUTION:

- \* **To avoid damage to the brake hose, support the caliper assembly so that it doesn't hang from the hose. Do not twist the brake hose.**

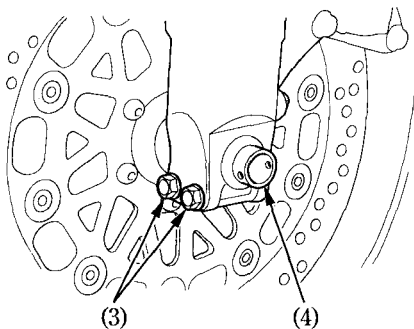


- (1) Brake caliper assembly  
(2) Fixing bolts

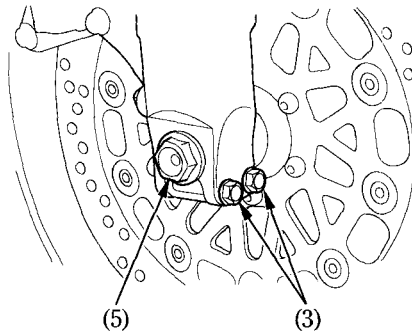
**NOTE:**

\* Do not depress the brake lever when the wheel is off the motorcycle. The caliper piston will be forced out of the cylinder with subsequent loss of brake fluid. If this occurs, servicing of the brake system will be necessary. See your authorized Honda dealer for this service.

3. Loosen the right and left axle pinch bolts (3), and remove the axle bolt (5).
4. Withdraw the front axle (4) and remove the front wheel.



- (3) Axle pinch bolts  
(4) Front axle



- (5) Axle bolt

Installation Notes:

Position the front wheel between the fork legs and insert the axle from the left side, through the left fork leg and when hub.

Tighten the axle bolt to the specified torque .

Front axle torque :

60 N·m (6.1 kgf·m , 44 lbf·ft)

Fit the caliper over the disc, taking care not to damage the brake pads. Install the caliper fixing bolts and tighten to a torque of:

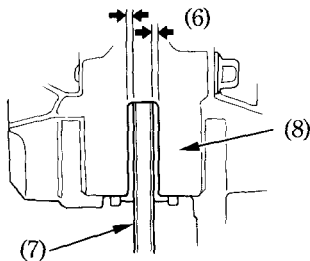
30 N·m (3.1 kgf·m , 22 lbf·ft)

Measure the clearance (6) between each surface of the brake disc (7) and the caliper holder (8) with a 0,7 mm (0,028 in) feeler gauge (9) (see illustration).

If the gauge inserts easily, tighten the right and left axle pinch bolts (3) to the specified torque.

Axle pinch bolt torque :

22 N·m (2.2 kgf·m , 16 lbf·ft)

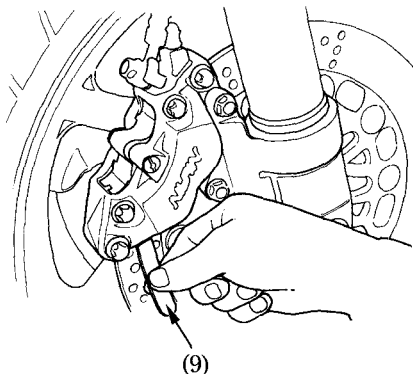


(6) Clearance  
(7) Brake disc

(8) Caliper holder

### **▲WARNING**

**\* If a torque wrench was not used for installation, see your authorized Honda dealer as soon as possible to verify proper assembly. Improper assembly may lead to loss of braking capacity.**



(9) Feeler gauge



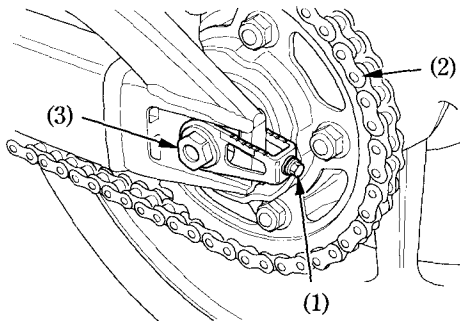
If the feeler gauge cannot be inserted easily, pull the fork outward or push inward until the gauge can be inserted and tighten the axle pinch bolts with the gauge inserted. After tightening, remove the gauge. After installing the wheel, apply the brakes several times, then recheck both discs for caliper holder to disc clearance. Do not operate the motorcycle without adequate clearance.

**▲ WARNING**

**\* Failure to provide adequate disc to caliper holder clearance may damage the brake discs and impair braking efficiency.**

## Rear Wheel Removal

1. Raise the rear wheel off the ground by placing a support block under the engine.
2. Loosen the rear axle nut.
3. Loosen the drive chain adjusting bolts (1).
4. Remove the rear axle nut.
5. Remove the drive chain (2) from the driven sprocket by pushing the rear wheel forward.



(1) Adjusting bolt

(2) Drive chain

(3) Axle shaft

6. Remove the axle shaft (3), side collar and rear wheel from the swing arm.

### NOTE:

\* Do not depress the brake pedal while the wheel is off the motorcycle. The caliper pistons will be forced out of the cylinders with subsequent loss of brake fluid. If this occurs, servicing of the brake system will be necessary. See your authorized Honda dealer for this service.

Installation:

To install the rear wheel, reverse the removal procedure. Torque the axle nut to the specified torque.

Axle nut torque:

95 N·m (9.7 kgf·m , 70 lbf·ft)

**CAUTION:**

**\* When installing the wheel, carefully fit the brake disc between the brake pads to avoid damaging the pads.**

After installing the wheel, apply the brake several times and then check if the wheel rotates freely. Recheck the wheel if the brake drags or if the wheel does not rotate freely.

**▲WARNING**

**\* If a torque wrench was not used for installation, see your authorized Honda dealer as soon as possible to verify proper assembly. Improper assembly may lead to loss of braking capacity.**

## BRAKE PAD WEAR

(Refer to the maintenance precautions on page 67).

Brake pad wear depends upon the severity of usage, the type of riding, and road conditions. (Generally, the pads will wear faster on wet and dirty roads.)

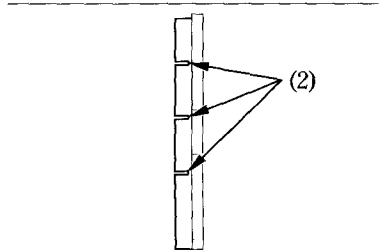
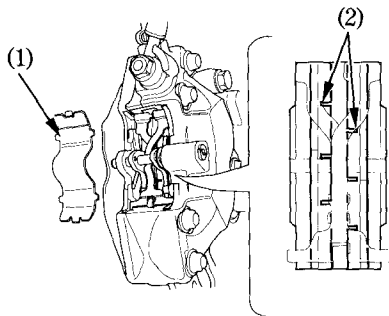
Inspect the pads at each regular maintenance interval (page 62).

### Front Brake

Remove the cover (1) from the caliper. Check the grooves (2) in each pad.

If either pad is worn to the bottom of the grooves, replace both pads as a set. See your authorized Honda dealer for this service.

### <FRONT BRAKE>



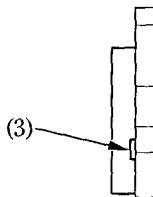
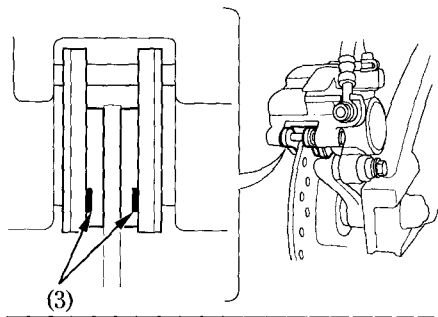
(1) Cover

(2) Wear indicator grooves

## Rear Brake

Check the cutout (3) in each pad.  
If either pad is worn to the cutout, replace  
both pads as a set. See your authorized  
Honda dealer for this service.

< REAR BRAKE >



(3) Cutouts

## **BATTERY**

(Refer to the maintenance precautions on page 67).

It is not necessary to check the battery electrolyte level or add distilled water as the battery is a maintenance-free (sealed) type. If your battery seems weak and/or is leaking electrolyte (causing hard starting or other electrical troubles), contact your authorized Honda dealer.

### **CAUTION:**

- \* Removing the battery cap strip can damage the cap strip and result in leaks and eventual battery damage.
- \* When the motorcycle is to be stored for an extended period of time, remove the battery from the motorcycle and charge it fully. Then store it in a cool, dry place. If the battery is to be left in the motorcycle, disconnect the negative cable from the battery terminal.

### **▲WARNING**

- \* The battery gives off explosive gases; keep sparks, flames, and cigarettes away. Provide adequate ventilation when charging or using the battery in an enclosed space.
- \* The battery contains sulfuric acid (electrolyte). Contact with skin or eyes may cause severe burns. Wear protective clothing and a face shield.
  - If electrolyte gets on your skin, flush with water.
  - If electrolyte gets in your eyes, flush with water for at least 15 minutes and call a physician immediately.
- \* Electrolyte is poisonous.
  - If swallowed, drink large quantities of water or milk and follow with milk of magnesia or vegetable oil and call a physician.

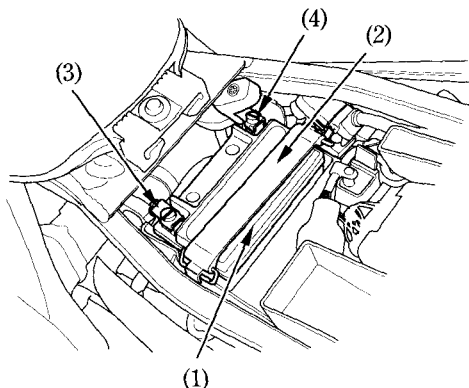
## **▲WARNING**

**\*KEEP OUT OF REACH OF CHILDREN.**

### **Battery Removal**

The battery (1) is in the battery box below the front seat.

1. Remove the front seat (page 40).
2. Unhook the strap (2).
3. Disconnect the negative (-) terminal lead (3) from the battery first, then disconnect the positive (+) terminal lead (4).
4. Pull out the battery from the battery box.



- (1) Battery
- (2) Strap
- (3) Negative (-) terminal lead
- (4) Positive (+) terminal lead

## FUSE REPLACEMENT

(Refer to the maintenance precautions on page 67).

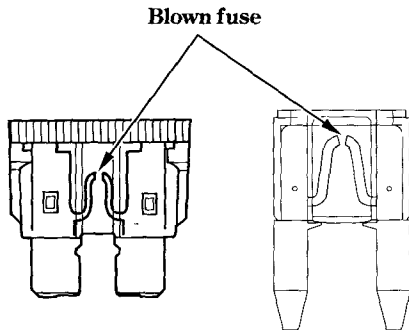
When frequent fuse failure occurs, it usually indicates a short circuit or an overload in the electrical system. See your authorized Honda dealer for repair.

### CAUTION:

- \* Turn the ignition switch OFF before checking or replacing fuses to prevent accidental short-circuiting.

### ▲WARNING

- \* Never use a fuse with a different rating from that specified. Serious damage to the electrical system or a fire may result, causing a dangerous loss of lights or engine power.





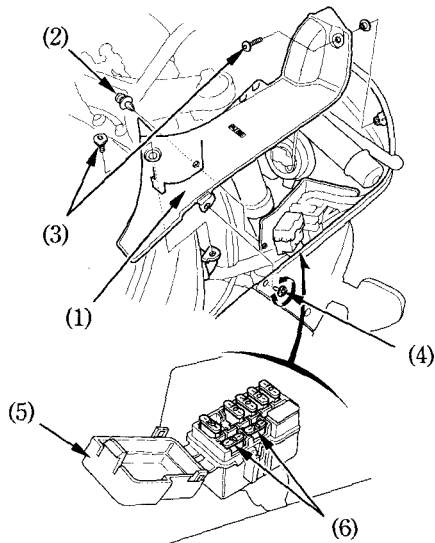
### Fuse box:

The fuse box is located under the right upper shroud (1) on the upper fairing.

The specified fuses are:

10A , 20A

1. Pull the tab (2) and remove the screws (3).
2. Turn the clip (4) and remove the right upper shroud.
3. Open the fuse box cover (5).
4. Pull out the old fuse and install a new fuse. The spare fuses (6) are located in the fuse box.
5. Close the fuse box cover and install the right upper shroud.



- |                        |                    |
|------------------------|--------------------|
| (1) Right upper shroud | (4) Clip           |
| (2) Tab                | (5) Fuse box cover |
| (3) Screws             | (6) Spare fuses    |

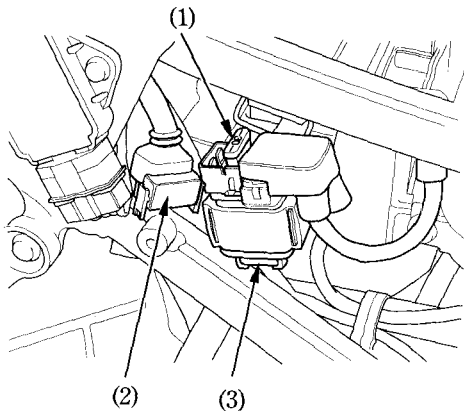
Main fuse:

The main fuse (1) is located behind the right side cover.

The specified fuse is:

**30A**

1. Remove the front seat (page 40) and remove the right side cover (page 46).
2. Disconnect the wire connector (2) of the starter magnetic switch.
3. Pull out the old fuse and install a new fuse. The spare fuse (3) is located under the starter magnetic switch.
4. Reconnect the connector and install the right side cover and front seat.



(1) Main fuse

(3) Spare fuse

(2) Wire connector

## **BULB REPLACEMENT**

(Refer to the maintenance precautions on page 67).

### **▲WARNING**

- \* **The light bulb becomes very hot while the light is ON, and remain hot for a while after it is turned OFF. Be sure to let it cool down before servicing.**

### **CAUTION:**

- \* **Do not put finger prints on the headlight bulb, as they may create hot spots on the bulb and cause it to break.**

**Wear clean gloves while replacing the bulb.**

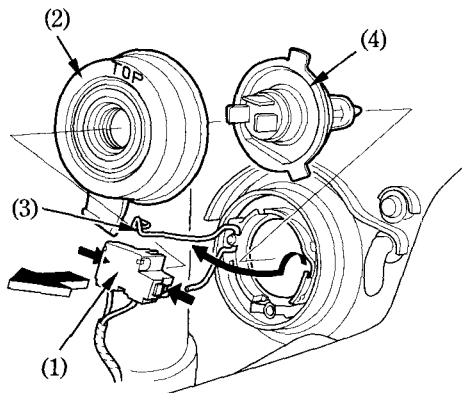
**If you touch the bulb with your bare hands, clean it with a cloth moistened with alcohol to prevent its early failure.**

### **NOTE:**

- \* **Be sure to turn the ignition switch OFF when replacing the bulb.**
- \* **Do not use bulbs other than that specified.**
- \* **After installing a new bulb, check that the light operates properly.**

## Headlight Bulb

1. Pull off the socket (1) without turning.
2. Remove the seat rubber (2).
3. Remove the bulb (4) while pressing down on the pin (3).
4. Pull out the bulb (4) without turning.
5. Install a new bulb in the reverse order of removal.

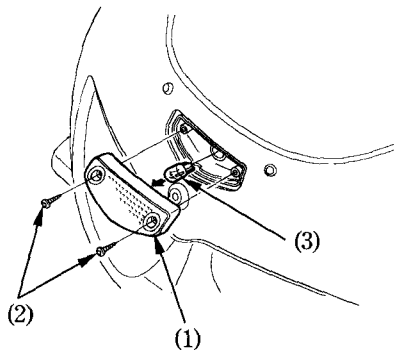


(1) Socket  
(2) Seat rubber

(3) Pin  
(4) Bulb

### **Position Light Bulb**

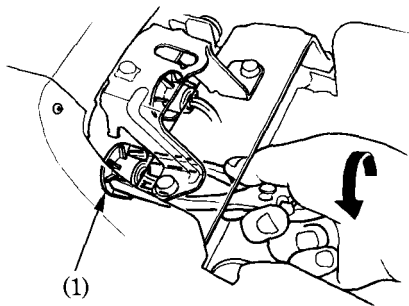
1. Remove the position light lens (1) by removing screws (2).
2. Pull out the bulb (3) without turning.
3. Install a new bulb in the reverse order of removal.



- (1) Position light lens
- (2) Screws
- (3) Bulb

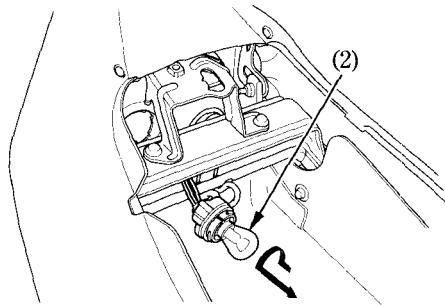
### Stop/Taillight Bulb

1. Open the rear seat (page 41).
2. Turn the socket (1) 90° counterclockwise, then pull it out toward you.



(1) Socket

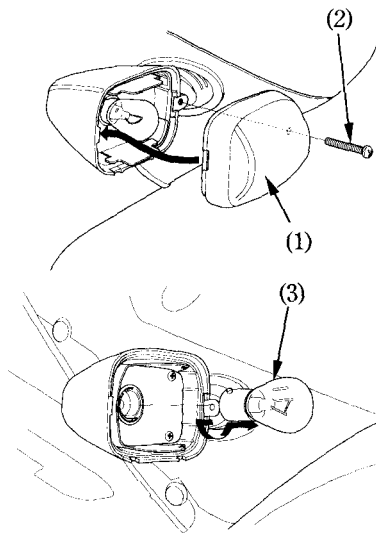
3. Slightly press down on the bulb (2) and turn it counterclockwise.
4. Install a new bulb in the reverse order of removal.



(2) Bulb

### Front/Rear Turn Signal Bulb

1. Remove the turn signal lens (1) from the turn signal by removing the screw (2).
2. Slightly press in on the bulb (3) and turn in 90° counterclockwise. Remove the bulb.
3. Install a new bulb in the reverse order of removal.



(1) Lens  
(2) Screw

(3) Bulb

## CLEANING

Clean your motorcycle regularly to protect the surface finishes and inspect for damage, wear, and oil, coolant or brake fluid leakage.

### CAUTION:

**\* High pressure water (or air) can damage certain parts of the motorcycle.**

Avoid spraying high pressure water (typical in coin-operated car washes) at the following areas:

- Wheel Hubs
- Ignition Switch
- Carburetors
- Brake Master Cylinders
- Instruments
- Handlebar Switches
- Muffler Outlet
- Under Fuel Tank
- Drive Chain
- Under Seat
- Headlight

1. After cleaning, rinse the motorcycle thoroughly with plenty of clean water. Strong detergent residue can corrode alloy parts.

### NOTE:

- \* Clean the fairing, headlight lens and other plastic parts using a cloth or sponge dampened with a solution of mild detergent and water. Rub the soiled area gently rinsing it frequently with fresh water.
- \* The inside of the headlight lens may be clouded immediately after washing the motorcycle. Moisture condensation inside the headlight lens will disappear gradually by lighting the headlight in high beam. Run the engine while keeping the headlight on.



2. Dry the motorcycle, start the engine, and let it run for several minutes.

**▲WARNING**

- \* **Braking efficiency may be temporarily impaired immediately after washing the motorcycle. Anticipate longer stopping distance to avoid a possible accident.**
3. Test the brakes before riding the motorcycle. Several applications may be necessary to restore normal braking performance.
  4. Lubricate the drive chain immediately after washing and drying the motorcycle.

### **Aluminum Wheel Maintenance**

Aluminum corrodes when it comes in contact with dust, mud, road salt, etc. After riding, clean the wheels with a wet sponge and mild detergent, then rinse well with water and wipe dry with a clean cloth.

**CAUTION:**

- \* **Do not use steel wool or a cleaner containing abrasives or compounds to clean the wheels, as they can cause damage.**
- \* **Do not ride over a curb or rub the wheel against an obstacle, as wheel damage may result.**

## Aluminum Muffler Maintenance

〈 Except E type 〉

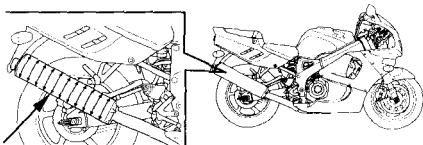
Aluminum corrodes when it comes in contact with dust, mud and road salt.

To remove stains, use Scotch Brite Hand Pad # 7447 (maroon) or equivalent.

Wet the pad and polish using strokes following the surface finish around the muffler.

Clean the muffler using a wet sponge and a mild detergent, then rinse well with clean water.

Dry the muffler with a soft clean cloth, using strokes following the surface finish around the muffler.



(1)

(1) Surface finish

## CAUTION:

- \* Avoid using steel wool, polishing compounds, or wax on an aluminum muffler. Steel wool may damage or discolour the surface. A polishing compound or wax may discolour the surface after its heated by engine operation.
- \* Muffler Stain Remover (Scotch Brite Hand Pad # 7447) is for removing stains on the aluminum mufflers only.
- \* Protect the muffler before you apply any chemical detergent to clean your rear wheel. Chemical products accidentally applied to the muffler may damage the surface of it.

## STORAGE GUIDE

Extended storage, such as for winter, requires that you take certain steps to reduce the effects of deterioration from non-use of the motorcycle. In addition, necessary repairs should be made BEFORE storing the motorcycle; otherwise, these repairs may be forgotten by the time the motorcycle is removed from storage.

### STORAGE

1. Change the engine oil and filter.
2. Make sure the cooling system is filled with a 50/50% antifreeze solution.
3. Empty the fuel tank into an approved petrol container using a commercially available hand siphon or an equivalent method. Spray the inside of the tank with an aerosol rust-inhibiting oil.  
Reinstall the fuel fill cap on the tank.

### NOTE:

- \* If storage will last more than one month, carburetor draining is very important, to assure proper performance after storage.

### **▲WARNING**

- \* **Petrol is extremely flammable and is explosive under certain conditions. Perform this operation in a well-ventilated area with the engine stopped. Do not smoke or allow flames or sparks in the area where petrol is drained or stored and where the fuel tank is refueled.**

4. To prevent rusting in the cylinders, perform the following:
  - Remove the spark plug caps from the spark plugs. Using tape or string, secure the caps to any convenient plastic body part so that they are positioned away from the spark plugs.
  - Remove the spark plugs from the engine and store them in a safe place. Do not connect the spark plugs to the spark plug caps.
  - Pour a tablespoon (15–20 cc) of clean engine oil into each cylinder and cover the spark plug holes with a piece of cloth.
  - Crank the engine several times to distribute the oil.
  - Reinstall the spark plugs and spark plug caps.
5. Remove the battery. Store in an area protected from freezing temperatures and direct sunlight.  
Slow charge the battery once a month.
6. Wash and dry the motorcycle. Wax all painted surfaces. Coat chrome with rustinhibiting oil.
7. Lubricate the drive chain (page 81 ).
8. Inflate the tyres to their recommended pressures. Place the motorcycle on blocks to raise both tyres off the ground.
9. Cover the motorcycle (don't use plastic or other coated materials) and store in an unheated area, free of dampness with a minimum of daily temperature variation. Do not store the motorcycle in direct sunlight.

## **REMOVAL FROM STORAGE**

1. Uncover and clean the motorcycle.  
Change the engine oil if more than 4 months have passed since the start of storage.
2. Charge the battery as required. Install the battery.
3. Drain any excess aerosol rust-inhibiting oil from the fuel tank. Fill the fuel tank with fresh petrol.
4. Perform all Pre-ride Inspection checks (page 49 ).  
Test ride the motorcycle at low speeds in a safe riding area away from traffic.

## SPECIFICATIONS

### DIMENSIONS

Overall length	2,135 mm (84.1 in) ... G, AR, SW, SD, ND
	2,030 mm (79.9 in) ... E, F, ED, U, IT, MX
Overall width	675 mm (26.6 in)
Overall height	1,130 mm (44.5 in)
Wheelbase	1,405 mm (55.3 in) ... Except MX
	1,400 mm (55.1 in) ... MX

### WEIGHT

Dry weight	183 kg (403 lbs) ... Except AR, SW
	184 kg (406 lbs) ... AR, SW

### CAPACITIES

Engine oil	After draining	3.5 ℓ (3.7 US qt , 3.1 Imp qt)
	After draining and oil filter change	3.6 ℓ (3.8 US qt , 3.2 Imp qt)
	After disassembly	4.4 ℓ (4.6 US qt , 3.9 Imp qt)
Fuel tank		18.0 ℓ (4.76 US gal , 3.96 Imp gal)
Fuel reserve		3.0 ℓ (0.79 US gal , 0.66 Imp gal)
Cooling system capacity		2.77 ℓ (0.732 US gal , 0.609 Imp gal)
Passenger capacity		Operator and one passenger
Maximum weight capacity		186 kg (410 lbs) ... Except AR, SW
		185 kg (408 lbs) ... AR, SW

## ENGINE

Bore and stroke	71.0 × 58.0 mm (2.80 × 2.28 in)
Compression ratio	11.1 : 1
Displacement	919 cm <sup>3</sup> (56.1 cu-in)
Spark plug	
Standard	CR9EH-9 (NGK) or U27FER 9 (NIPPONDENSO)
For cold climate (Below 5° C, 41° F)	CR8EH-9 (NGK) or U24FER 9 (NIPPONDENSO)
Spark plug gap	0.80–0.90 mm (0.031–0.035 in)
Idle speed	1,100 ± 100 min <sup>-1</sup> (rpm)... Except SW 1,100 ± 50 min <sup>-1</sup> (rpm)... SW
Valve clearance (Cold)	Intake     0.16 mm (0.006 in) Exhaust   0.22 mm (0.009 in)

## **CHASSIS AND SUSPENSION**

Caster	24°
Trail	90 mm (3.5 in)
Tyre size, front	130/70 ZR16
Tyre size, rear	180/55 ZR17

## **POWER TRANSMISSION**

Primary reduction	1.520
Gear ratio, 1st	2.727
2nd	1.933
3rd	1.600
4th	1.400
5th	1.263
6th	1.166
Final reduction	2.625 ... Except MX
	2.687 ... MX



## ELECTRICAL

Battery	12V—8AH
Generator	0.384 kw

## LIGHTS

Headlight	12V—60/55W ... Except U
	12V—45/45W ... U
Tail/brake light	12V—5/21W
Turn signal light	12V—21W
	12V—21W
	12V—21W
Instrument lights	12V—1.7W
Neutral indicator	12V—1.7W
Turn signal indicator	12V—1.7W
High beam indicator	12V—1.7W
Low oil pressure indicator	12V—1.7W
Side stand indicator	12V—1.7W
Position light	12V—5W

## FUSE

Main fuse	30A
Other fuses	10A , 20A

## **NOISE CONTROL SYSTEM (AUSTRALIA ONLY)**

**TAMPERING WITH THE NOISE CONTROL SYSTEM IS PROHIBITED:** Owners are warned that the law may prohibit : (a) The removal or rendering inoperative by any person other than for purposes of maintenance, repair, or replacement, of any device or element of design incorporated into any new vehicle for the purpose of noise control prior to its sale or delivery to the ultimate purchaser or while it is in use; and (b) the use of the vehicle after such device or element of design has been removed or rendered inoperative by any person.

**HONDA**  
**CBR900RR**  
**FIRE BLADE**

**MANUEL DU CONDUCTEUR**



## **AVIS IMPORTANT**

- **CONDUITE EN DUO**

Cette moto a été conçue pour une utilisation en duo (un pilote et un passager). Ne jamais dépasser le poids total autorisé figurant sur l'étiquette d'indications des pneus.

- **UTILISATION SUR ROUTE EXCLUSIVEMENT**

Cette moto n'est destinée qu'à une utilisation routière.

- **LIRE CE MANUEL TRES ATTENTIVEMENT**

Accorder une attention particulière aux indications signalées comme suit:

### **▲ ATTENTION**

**Signale un risque important de blessures corporelles ou d'accident mortel si les instructions ne sont pas suivies.**

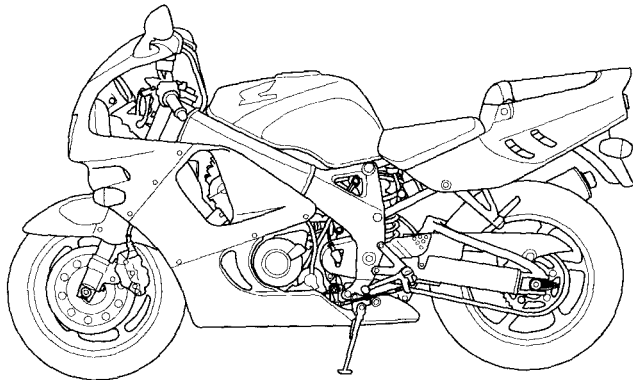
### **PRECAUTION**

**Signale un risque d'accident corporel ou de dommage du véhicule si les instructions ne sont pas suivies.**

**NOTE:** Fournit des renseignements utiles.

Ce manuel doit être considéré comme faisant partie de la moto et doit l'accompagner en cas de revente.

**HONDA CBR900RR  
FIRE BLADE  
MANUEL DU CONDUCTEUR**



**Toutes les informations de cette publication sont basées sur les dernières données disponibles concernant le produit au moment de la mise sous presse. HONDA MOTOR CO., LTD. se réserve le droit d'effectuer des modifications à tout moment sans préavis et sans aucune obligation de sa part.**

**Aucune partie de cette publication ne peut être reproduite sans autorisation écrite.**

## BIENVENUE

La moto vous donne l'occasion de "dominer la machine" et de relever le défi que vous lance l'aventure. Vous roulez dans le vent, relié à la route par un véhicule qui répond à vos commandes mieux que tous les autres. Contrairement à une voiture, vous n'êtes pas enfermé dans une cage métallique. Tout comme pour un avion, les contrôles avant chaque utilisation et l'entretien périodique sont essentiels pour assurer votre sécurité. Ils vous permettront en contrepartie de profiter pleinement de votre liberté.

Pour goûter aux plaisirs de l'aventure en sécurité, vous devrez vous familiariser avec le contenu de ce manuel AVANT DE PILOTER VOTRE MOTO.

Lorsqu'une réparation ou une intervention d'entretien sont nécessaires, n'oubliez pas que c'est votre concessionnaire Honda qui connaît le mieux votre moto. Si vous êtes mécaniquement compétent et disposez de l'outillage nécessaire, votre concessionnaire pourra vous fournir le Manuel d'Atelier Honda officiel qui vous permettra d'effectuer de nombreux travaux d'entretien et de réparation.

Nous vous souhaitons bonne route et vous remercions d'avoir choisi une Honda !

- Dans ce manuel, les codes utilisés pour les différents pays sont les suivants :

E	Royaume-Uni	ED	Ventes directes pour l'Europe Grèce Belgique Portugal Hollande Espagne	IT	Italie
G	Allemagne			AR	Autriche
F	France			ND	Europe du Nord Norvège Finlande
U	Australie				
SW	Suisse				
MX	Mexique				
SD	Suède				

- Les caractéristiques risquent de varier en fonction du lieu d'utilisation.

## UTILISATION

Page

1	LA SECURITE DU PILOTAGE
1	Règles de sécurité pour le pilotage
2	Vêtements de protection
2	Modifications
3	Chargement et accessoires
6	EMPLACEMENT DES PIECES
9	Instruments de bord et témoins
13	ELEMENTS PRINCIPAUX (Points à connaître pour le pilotage)
13	Suspension
19	Freins
23	Embrayage
25	Liquide de refroidissement
27	Essence
31	Huile moteur
32	Pneus tubeless
35	COMMANDES PRINCIPALES
35	Contacteur d'allumage
36	Commandes au bras droit du guidon
37	Commandes au bras gauche du guidon

Page

39	CARACTERISTIQUES (Non nécessaires pour le pilotage)
39	Antivol de direction
40	Selle
42	Porte-casque
43	Crochets d'attache de bagages
44	Poche à documents
44	Compartiment de rangement
45	Compartiment de rangement pour verrou antivol en forme de U
46	Cache latéral
47	Carénage central
48	Carénage inférieur
49	UTILISATION
49	Contrôles avant l'utilisation
50	Mise en marche du moteur
54	Rodage
55	Pilotage
56	Pilotage a basse altitude
57	Freinage
58	Stationnement
59	Conseils pour éviter le vol

## **ENTRETIEN**

### **Page**

60	ENTRETIEN
61	Programme d'entretien
64	Trousse à outils
65	Numéros de série
66	Etiquette de coloris
67	Précautions pour l'entretien
68	Huile moteur
72	Bougies d'allumage
74	Fonctionnement de la commande des gaz
75	Régime de ralenti
76	Chaîne secondaire
82	Glissière de chaîne secondaire
83	Inspection de suspension avant et arrière
84	Béquille latérale
85	Dépose des roues
92	Usure des plaquettes de frein
94	Batterie
96	Remplacement des fusibles
99	Remplacement de l'ampoule

### **Page**

104	NETTOYAGE
107	GUIDE DE REMISAGE
107	Remisage
109	Fin du remisage
110	CARACTERISTIQUES



## LA SECURITE DU PILOTAGE

### ⚠ ATTENTION

\* Le pilotage d'une moto demande de la part du pilote un effort particulier pour assurer sa sécurité. Avant de prendre la route, bien assimiler les règles suivantes:

#### REGLES DE SECURITE POUR LE PILOTAGE

1. Avant de mettre le moteur en marche, toujours effectuer les "contrôles avant l'utilisation" (page 49). Ceci permettra d'éviter des accidents ou d'endommager la moto.
2. De nombreux accidents ont pour victimes des pilotes inexpérimentés. La plupart des pays exigent un examen de conduite ou un permis spécial moto. Avant de prendre la route, s'assurer que l'on est en règle. NE JAMAIS prêter sa moto à un pilote inexpérimenté.
3. De nombreux accidents entre moto et voiture viennent du fait que l'automobiliste n'a pas "vu" le motocycliste.  
Veiller à bien être visible pour ne pas être la victime non responsable d'un accident.  
Pour cela:
  - Porter des vêtements clairs ou réfléchissants.

- Eviter de se trouver dans l'angle mort de visibilité d'un automobiliste.
4. Respecter toutes les lois et réglementations nationales et locales.
    - L'excès de vitesse est responsable de nombreux accidents. Ne pas dépasser les limites de vitesse et NE JAMAIS rouler plus vite que conditions ne l'autorisent.
    - Signaler son intention de tourner ou de changer de voie aux autres usagers. La taille et la maniabilité de la moto peuvent les surprendre.
  5. Ne pas se laisser surprendre par les autres automobilistes. Redoubler de prudence aux intersections, sorties et entrées de parking et voies privées.
  6. Garder les deux mains sur le guidon et les deux pieds sur les repose-pied pendant la conduite. Le passager doit se tenir à la moto ou au pilote avec les deux mains et garder les deux pieds sur les repose-pied passager.

## VETEMENTS DE PROTECTION

1. La plupart des décès dans les accidents de moto sont dus à des blessures à la tête: TOUJOURS porter un casque. S'équiper de lunettes ou d'un écran de protection et porter des bottes, des gants et des vêtements protecteurs. La même protection est nécessaire pour le passager.
2. Le système d'échappement devient très chaud pendant la marche, et le reste un certain temps après l'arrêt. Ne jamais toucher les pièces du système d'échappement lorsqu'il est chaud. Porter des vêtements qui recouvrent entièrement les jambes.
3. Ne pas porter des vêtements trop amples qui peuvent se prendre dans les leviers de commande, les repose-pied la chaîne secondaire, ou les roues.

## MODIFICATIONS

### **▲ATTENTION**

- \* Toute modification de la moto ou tout retrait de l'équipement monté d'origine peuvent affecter la sécurité et contrevenir à la réglementation. Respecter toutes les réglementations nationales et locales concernant l'équipement.

## CHARGEMENT ET ACCESSOIRES

### **▲ATTENTION**

\* **Pour ne pas risquer un accident, ne pas ajouter inconsidérément des accessoires ou un chargement. Des accessoires ou un chargement supplémentaires peuvent affecter la stabilité et les performances de la moto tout en abaissant la vitesse limite admissible. Ne jamais dépasser 130 km/h avec une moto équipée d'accessoires. Et ne pas oublier que cette limite de 130 km/h peut être encore abaissée par l'utilisation d'accessoires d'une autre provenance que Honda, par un chargement non-approprié, par des pneus usés, un mauvais état général de la moto, un mauvais état de la route, des conditions climatiques défavorables etc. Ces règles générales aideront le pilote à décider de l'opportunité d'équiper ou de charger sa moto et de la manière dont il doit le faire pour assurer sa sécurité.**

### **Chargement**

Le poids cumulé du pilote, du passager, du chargement et des accessoires ajoutés ne doit pas dépasser le poids total autorisé:

186 kg...Sauf SW, AR

185 kg...SW, AR

Le poids du chargement seul ne doit pas dépasser:

14 kg

1. Maintenir le poids du chargement et des accessoires bas et près du centre de la moto. Répartir le poids uniformément des deux côtés pour minimiser le déséquilibre. Plus le poids se trouve loin du centre de gravité de la moto, moins bonne est la tenue de route.
2. Ajuster la pression de gonflage des pneus (page 32), la suspension avant (page 13) et la suspension arrière (page 16) pour convenir au poids de la charge et aux conditions de conduite.

3. La tenue de route et la stabilité peuvent être affectées par un chargement mal attaché. Vérifier fréquemment la fixation du chargement et le montage des accessoires.
4. Le carénage Honda a été conçu pour cette moto exclusivement. Ne pas le monter sur une autre moto.
5. Ne pas fixer d'objets volumineux ou lourds (tels que sac de couchage ou tente) au guidon, sur la fourche ou sur le garde-boue. Ceci affecterait la tenue de route et la réponse de la direction.

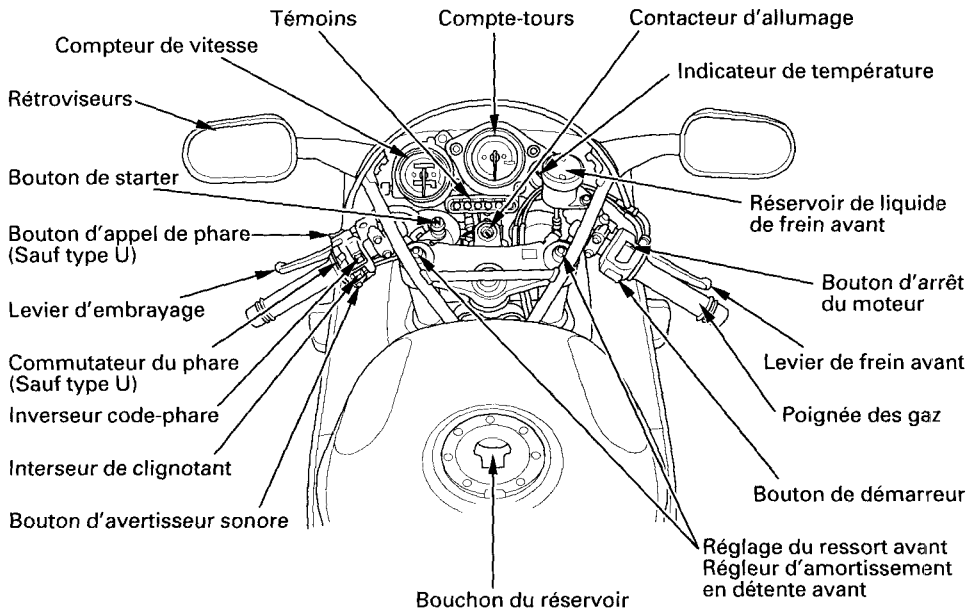
### **Accessoires**

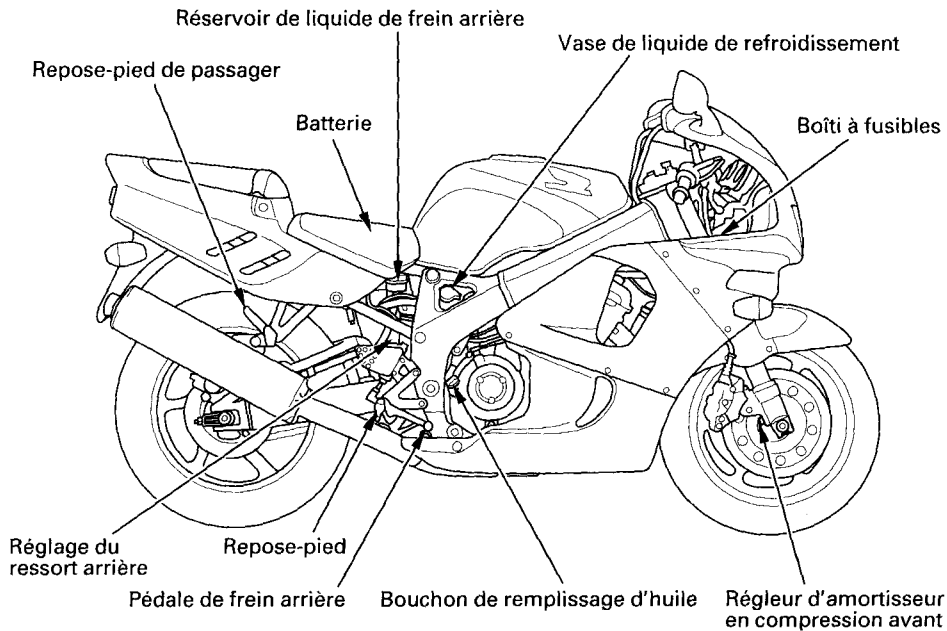
Les accessoires Honda d'origine ont été spécialement conçus pour cette moto et ont été testés sur elle. Nos usines ne peuvent tester tous les accessoires en vente sur le marché et le pilote est donc personnellement responsable du choix, de la pose et de l'utilisation d'accessoires d'une autre provenance que Honda. Toujours observer les directives données sous "Chargement" ainsi que les règles suivantes:

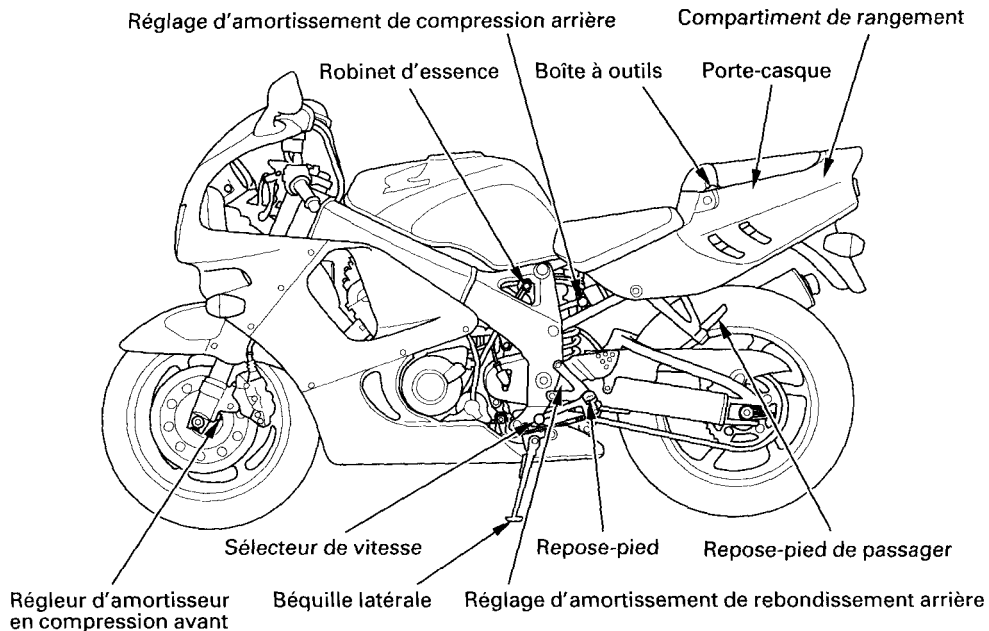
1. Contrôler soigneusement l'accessoire pour s'assurer qu'il ne masque aucun feu, qu'il ne réduit pas la garde au sol ou l'angle d'inclinaison maximale dans les virages et qu'il ne limite pas le débattement de la suspension, le braquage ou le fonctionnement des commandes.
2. Les grands carénages ou pare-brise de tête de fourche et les carénages mal conçus ou mal montés peuvent engendrer des forces aérodynamiques qui affectent la stabilité de la tenue de route. Ne pas poser de carénages qui entravent le passage de l'air de refroidissement vers le moteur.

3. Les accessoires qui modifient la position de conduite en éloignant les mains ou les pieds des commandes peuvent retarder la réponse du pilote en cas d'urgence.
4. Ne pas ajouter un équipement électrique dont la consommation dépasse les capacités du circuit électrique de la moto. Un fusible qui saute peut entraîner une extinction des feux ou une perte de puissance du moteur qui risquent d'être dangereux.
5. Cette moto n'est pas prévue pour tirer un sidecar ou une remorque. Avec de tels équipements, son comportement routier en serait sérieusement affecté.
6. Toute modification du circuit de refroidissement peut entraîner une surchauffe et de sérieux dommages du moteur. Ne pas modifier les boucliers de radiateur ni poser des accessoires qui entravent ou dévient le passage de l'air vers le radiateur.

## EMPLACEMENT DES PIÈCES





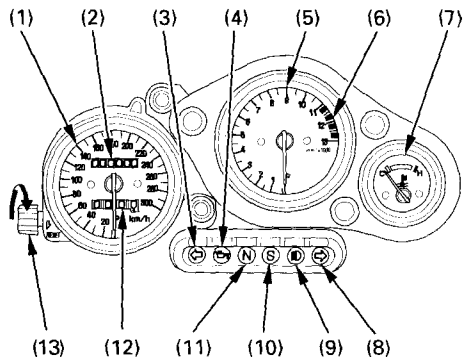




## INSTRUMENTS DE BORD ET TEMOINS

Les indicateurs sont logés dans le tableau de bord. Leurs fonctions sont décrites dans les tableaux des pages suivantes.

- (1) Compteur de vitesse
- (2) Compteur kilométrique
- (3) Témoin de clignotant gauche
- (4) Témoin de basse pression d'huile
- (5) Compte-tours
- (6) Zone rouge du compte-tours
- (7) Indicateur de température du liquide de refroidissement
- (8) Témoin de clignotant droit
- (9) Témoin de feu de route
- (10) Témoin de béquille latérale
- (11) Témoin de point mort
- (12) Totalisateur journalier
- (13) Bouton de remise à zéro du totalisateur journalier

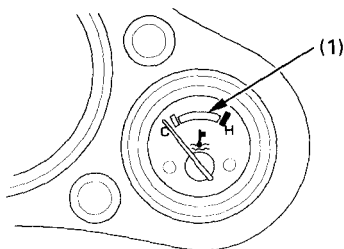


<b>(N° de réf.) Désignation</b>	<b>Fonction</b>
(1) Compteur de vitesse	Indique la vitesse de la moto.
(2) Compteur kilométrique	Indique le kilométrage total parcouru.
(3) Témoin de clignotant gauche (vert)	Clignote lorsque le clignotant gauche est actionné.
(4) Témoin de basse pression d'huile (rouge)	<p>S'allume lorsque la pression d'huile du moteur est inférieure à la pression normale de fonctionnement. Doit s'allumer lorsque le contacteur d'allumage est sur ON et que le moteur ne tourne pas. Doit s'éteindre lorsque le moteur démarre; toutefois, un clignotement se produit occasionnellement au régime de ralenti lorsque le moteur est chaud.</p> <p><b>PRECAUTION</b></p> <p>* Si le moteur tourne avec une pression d'huile insuffisante, il risque d'être sérieusement endommagé.</p>
(5) Compte-tours	Indique le régime moteur.
(6) Zone rouge du compte-tours	<p>Ne jamais laisser l'aiguille du compte-tours pénétrer dans la zone rouge, même si le moteur est déjà rodé.</p> <p><b>PRECAUTION</b></p> <p>* Faire tourner le moteur à un régime supérieur au régime maximal spécifié pourrait endommager le moteur.</p>

<b>(N° de réf.) Désignation</b>	<b>Fonction</b>
(7) Indicateur de température du liquide de refroidissement	Indique la température du liquide de refroidissement (page 12).
(8) Témoin de clignotant droit (vert)	Clignote lorsque le clignotant droit est actionné.
(9) Témoin de feu de route (bleu)	S'allume pour signaler que le phare est en position feu de route.
(10) Témoin de béquille latérale (ambre)	S'allume quand la béquille latérale est rétractée. Avant de stationner, vérifier que la béquille latérale est complètement abaissée; le témoin indique seulement que le système de coupure d'allumage de béquille latérale (page 50) s'est déclenché.
(11) Témoin de point mort (vert)	S'allume lorsque la boîte de vitesses est au point-mort.
(12) Totalisateur journalier	Indique le kilométrage parcouru par voyage.
(13) Bouton de remise à zéro du totalisateur journalier	Remet le totalisateur journalier à zéro (0). Tourner le bouton dans le sens indiqué.

### Indicateur de température du liquide de refroidissement

Lorsque l'aiguille commence à dépasser le repère C (froid), le moteur est suffisamment chaud pour le pilotage. La température normale de fonctionnement se situe dans la partie entre les repères C et H. Si l'aiguille atteint le repère H (chaud), arrêter le moteur et vérifier le niveau de liquide de refroidissement dans le vase d'expansion. Lire les pages 25 et 26 et ne pas rouler tant que le problème n'a pas été réglé.



(1) Indicateur de température du liquide de refroidissement

### PRECAUTION

\* Veiller à ce que le moteur ne dépasse pas la température de fonctionnement maximale car il risquerait d'être sérieusement endommagé.

## ELEMENTS PRINCIPAUX (Points à connaître pour le pilotage)

### ▲ ATTENTION

- \* En n'effectuant pas les contrôles avant l'utilisation (page 49), on risque de graves blessures corporelles ou des dommages importants du véhicule.

## SUSPENSION

### Suspension avant

#### Précharge du ressort:

Ajuster la précharge de ressort en tournant le tendeur de précharge (1) avec la clé de 10 × 14 mm fournie dans la trousse à outils.

Pour réduire (SOFT) :

Tourner le tendeur dans le sens inverse des aiguilles d'une montre vers SOFT pour une charge légère et des conditions de route régulières.

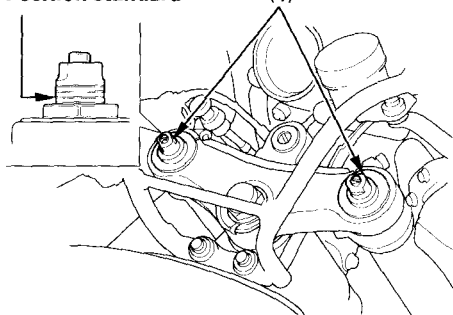
Pour augmenter (HARD) :

Tourner le tendeur dans le sens des aiguilles d'une montre vers HARD pour une conduite plus ferme et des conditions de route difficiles.

#### Position standard:

Pour retourner à la position standard, tourner les tendeurs jusqu'à ce que la troisième gorge depuis le haut s'aligne avec la surface supérieure des chapeaux de fourche.

#### Position standard



(1) Tendeur de précharge

### Amortissement de rebound:

Pour réduire (SOFT) :

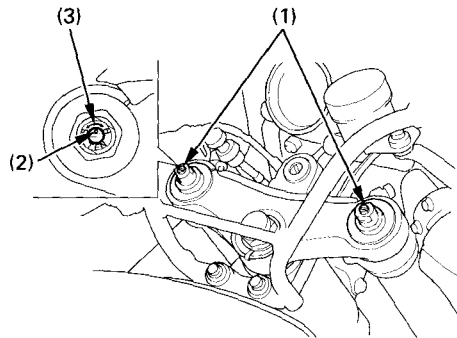
Tourner le tendeur dans le sens inverse des aiguilles d'une montre vers SOFT pour une charge légère et des conditions de route régulières.

Pour augmenter (HARD) :

Tourner le tendeur dans le sens des aiguilles d'une montre vers HARD pour une conduite plus ferme et des conditions de route difficiles.

Procéder comme suit pour ajuster le tendeur à la position standard :

1. Tourner le tendeur d'amortissement (1) dans le sens des aiguilles d'une montre jusqu'à ce qu'il ne tourne plus. Sur cette position, la suspension est la plus dure.
2. Le tendeur est réglé dans la position standard lorsqu'il est tourné dans le sens inverse des aiguilles d'une montre sur environ 1 tours de sorte que sa marque poinçonnée (2) s'aligne avec la marque de référence (3).



- (1) Tendeur d'amortissement
- (2) Marque poinçonnée
- (3) Marque de référence

### Amortissement en compression:

#### Pour réduire (SOFT) :

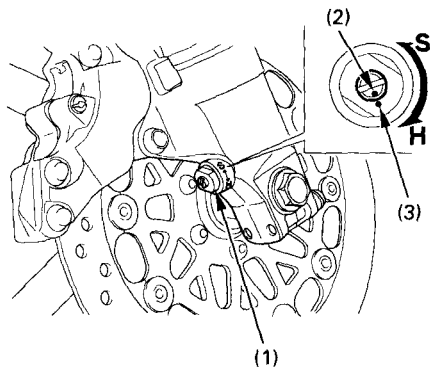
Tourner le tendeur dans le sens inverse des aiguilles d'une montre vers SOFT pour une charge légère et des conditions de route régulières.

#### Pour augmenter (HARD) :

Tourner le tendeur dans le sens des aiguilles d'une montre vers HARD pour une conduite plus ferme et des conditions de route difficiles.

Procéder comme suit pour ajuster le tendeur à la position standard :

1. Tourner le tendeur d'amortissement (1) dans le sens des aiguilles d'une montre jusqu'à ce qu'il ne tourne plus. Sur cette position, la suspension est la plus dure.
2. Le tendeur est réglé dans la position standard lorsqu'il est tourné dans le sens inverse des aiguilles d'une montre d'approximativement 1 tours de sorte que sa marque poinçonnée (2) s'aligne avec la marque poinçonnée de référence (3).



- (1) Tendeur d'amortissement
- (2) Marque poinçonnée
- (3) Marque poinçonnée de référence

## **Suspension arrière**

### Amortissement en compression:

Pour réduire (SOFT) :

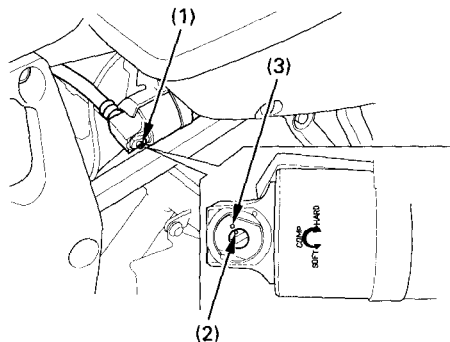
Tourner le tendeur dans le sens inverse des aiguilles d'une montre vers SOFT pour une charge légère et des conditions de route régulières.

Pour augmenter (HARD) :

Tourner le tendeur dans le sens des aiguilles d'une montre vers HARD pour une conduite plus ferme et des conditions de route difficiles.

Procéder comme suit pour ajuster le tendeur à la position standard :

1. Tourner le tendeur d'amortissement (1) dans le sens des aiguilles d'une montre jusqu'à ce qu'il ne tourne plus. Sur cette position, la suspension est la plus dure.
2. Le tendeur est réglé dans la position standard lorsqu'il est tourné dans le sens inverse des aiguilles d'une montre d'approximativement 1 tours de sorte que sa marque poinçonnée (2) s'aligne avec la marque poinçonnée de référence (3).



- (1) Tendeur d'amortissement
- (2) Marque poinçonnée
- (3) Marque poinçonnée de référence



### Amortissement de rebourd:

Pour réduire (SOFT) :

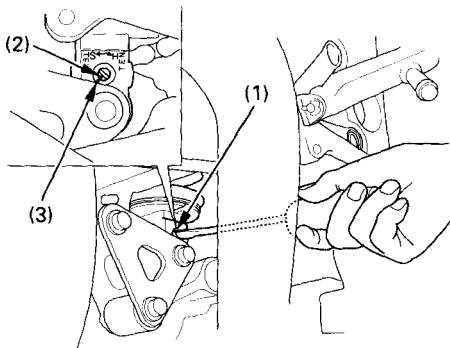
Tourner le tendeur dans le sens inverse des aiguilles d'une montre vers SOFT pour une charge légère et des conditions de route régulières.

Pour augmenter (HARD) :

Tourner le tendeur dans le sens des aiguilles d'une montre vers HARD pour une conduite plus ferme et des conditions de route difficiles.

Procéder comme suit pour ajuster le tendeur à la position standard :

1. Tourner le tendeur d'amortissement (1) dans le sens des aiguilles d'une montre jusqu'à ce qu'il ne tourne plus. Sur cette position, la suspension est la plus dure.
2. Le tendeur est réglé dans la position standard lorsqu'il est tourné dans le sens inverse des aiguilles d'une montre d'approximativement 1 tours de sorte que sa marque poinçonnée (2) s'aligne avec la marque poinçonnée de référence (3).

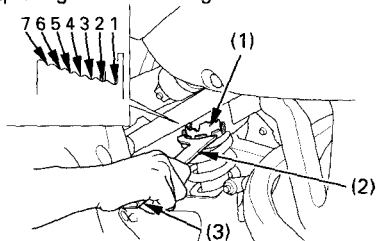


- (1) Tendeur d'amortissement
- (2) Marque poinçonnée
- (3) Marque poinçonnée de référence

### Précharge du ressort:

Le dispositif de réglage de précharge du ressort (1) présente 7 positions de précharge pour différentes charges ou conditions de conduite.

Utiliser la clé à ergots (2) et la poignée de rallonge (3) pour régler l'amortisseur arrière. Les positions 1 sont prévues pour une charge légère et de bonnes conditions de route. La position 2 est la position normale. Les positions 3 à 7 augmentent la précharge du ressort, ce qui durcit la suspension arrière, et elles peuvent être utilisées lorsque la moto n'est que légèrement chargée.



(1) Réglage du ressort

(2) Clé à ergot

(3) Poignée de

rallonge

### ▲ATTENTION

- \* La suspension arrière comprend un amortisseur qui contient de l'azote sous haute pression. Les instructions de ce manuel se limitent au réglage de l'amortisseur. Ne pas essayer de démonter, de désaccoupler ou d'effectuer une opération quelconque sur l'amortisseur. Il risquerait d'exploser et de provoquer de graves blessures.
- \* Une perforation ou une exposition aux flammes peuvent également entraîner une explosion et occasionner de graves blessures.
- \* Les interventions sur l'amortisseur et sa mise au rebut doivent être effectuées par un concessionnaire Honda ou un mécanicien qualifié, équipé de l'outillage nécessaire, du matériel de sécurité et du Manuel d'entretien Honda officiel.

## FREINS

Les freins avant et arrière sont des freins hydrauliques à disque.

Lorsque les plaquettes de frein s'usent, le niveau de liquide de frein descend.

Aucun réglage n'est nécessaire, mais il faut vérifier périodiquement le niveau de liquide et l'usure des plaquettes. Le circuit doit être contrôlé fréquemment pour s'assurer qu'il n'y a pas de fuites de liquide. Si la garde au levier ou à la pédale de frein est excessive bien que les garnitures ne soient pas usées au-delà de la limite recommandée (page 92), il est probable qu'il y ait de l'air dans le circuit et il convient de le purger. Pour cette opération, s'adresser à un concessionnaire agréé Honda.

## Frein avant

Niveau de liquide frein avant:

### ATTENTION

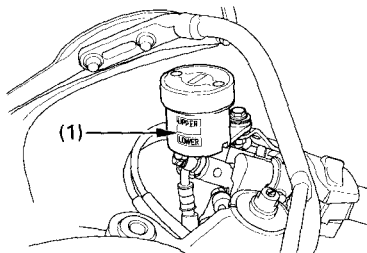
- \* **Le liquide de frein peut provoquer des irritations. Eviter qu'il ne vienne en contact avec la peau ou les yeux. En cas de contact, rincer abondamment à l'eau la partie touchée et, si les yeux ont été atteints, appeler un médecin.**
- \* **TENIR HORS DE PORTEE DES ENFANTS.**

### PRECAUTION

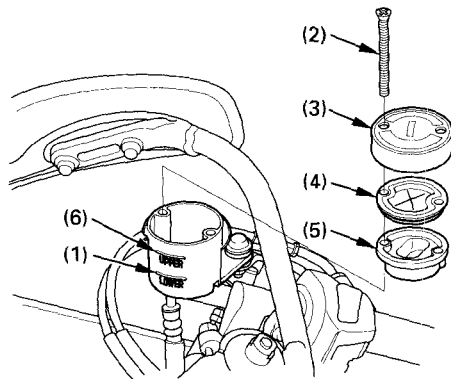
- \* **Manipuler le liquide de frein avec précaution car il attaque le plastique et les surfaces peintes.**
- \* **Lors de l'appoint du liquide de frein, veiller à ce que le réservoir soit à l'horizontale avant de retirer le couvercle. Sinon, le liquide de frein pourrait se renverser.**
- \* **N'utiliser que du liquide de frein DOT 4 provenant d'un bidon fermé.**
- \* **Veiller à ce qu'aucune substance étrangère telle que saleté ou eau ne pénètre dans le réservoir de liquide de frein.**

S'assurer que le liquide se trouve au-dessus du repère de niveau minimum (1) avec la moto à la verticale.

Du liquide de frein doit être ajouté dans le réservoir chaque fois que le niveau approche du repère INFÉRIEUR (1). Retirer les vis (2), le couvercle du réservoir (3), la plaque de membrane (4) et la membrane (5). Remplir le réservoir jusqu'au repère supérieur (6) avec du LIQUIDE DE FREIN DOT 4 provenant d'un bidon scellé. Reposer la membrane, la plaque de membrane, le couvercle du réservoir. Serrer les vis à fond.



(1) Repère de niveau inférieur (LOWER)



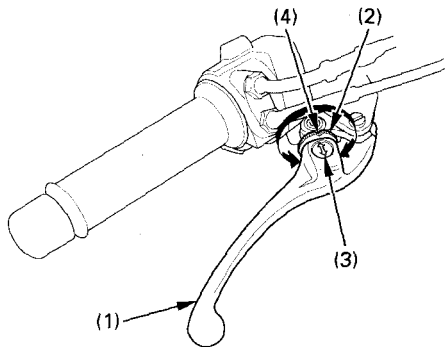
- (2) Vis
- (3) Couvercle de réservoir
- (4) Plaque de membrane
- (5) Membrane
- (6) Repère de niveau supérieur (UPPER)

### Levier de frein avant:

La distance entre l'extrémité du levier de frein (1) et la poignée se règle en tournant le tendeur (2).

#### PRECAUTION

\* Amener la flèche (3) du levier de frein en regard du repère (4) du tendeur.



(1) Levier de frein  
(2) Tendeur

(3) Flèche  
(4) Regard du repère

### Frein arrière

Niveau de liquide de frein arrière:

#### ATTENTION

- \* Le liquide de frein peut provoquer des irritations. Eviter qu'il ne vienne en contact avec la peau ou les yeux. En cas de contact, rincer abondamment à l'eau la partie touchée et, si les yeux ont été atteints, appeler un médecin.
- \* TENIR HORS DE PORTEE DES ENFANTS.

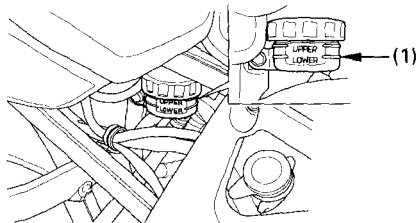
#### PRECAUTION

- \* Manipuler le liquide de frein avec précaution car il attaque le plastique et les surfaces peintes.
- \* Lors de l'appoint du liquide de frein, veiller à ce que le réservoir soit à l'horizontale avant de retirer le couvercle. Sinon, le liquide de frein pourrait se renverser.
- \* N'utiliser que du liquide de frein DOT 4 provenant d'un bidon fermé.
- \* Veiller à ce qu'aucune substance étrangère telle que saleté ou eau ne pénètre dans le réservoir de liquide de frein.

S'assurer que le liquide se trouve au-dessus du repère de niveau minimum (1) avec la moto à la verticale.

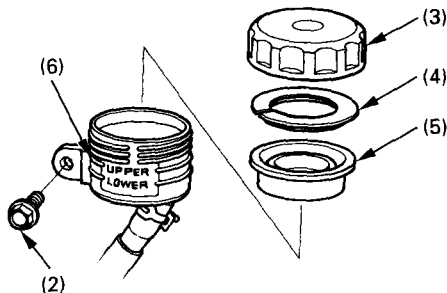
Du liquide de frein doit être ajouté dans le réservoir chaque fois que le niveau approche du repère INFÉRIEUR (1). Déposer le boulon (2).

Retirer le capuchon du réservoir (3), la plaque de membrane (4) et la membrane (5). Remplir le réservoir jusqu'au repère SUPÉRIEUR (6) avec du LIQUIDE DE FREIN DOT 4 provenant d'un bidon scellé. Reposer solidement la membrane, la plaque de membrane le capuchon du réservoir et pe boulon.



(1) Repère de niveau inférieur (LOWER)

22



- (2) Boulon
- (3) Capuchon du réservoir
- (4) Plaque de membrane
- (5) Membrane
- (6) Repère marque de niveau supérieur (UPPER)

Autres contrôles:

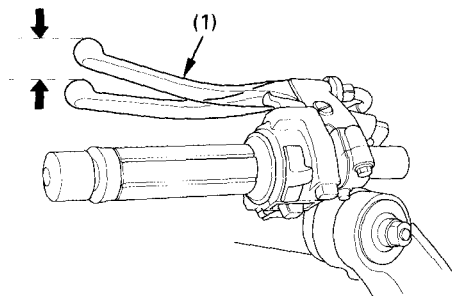
S'assurer qu'il n'y a pas de fuites de liquide. Vérifier si les flexibles et raccords ne sont pas détériorés ou fissurés.

## EMBAYAGE

Il peut être nécessaire de régler l'embrayage si la moto cale lors de l'engagement d'un rapport, si elle a tendance à avancer au débrayé ou si l'embrayage patine, provoquant un retard de l'accélération sur le régime moteur. De petits réglages peuvent être effectués à l'aide du tendeur de câble d'embrayage (3) au niveau du levier (1).

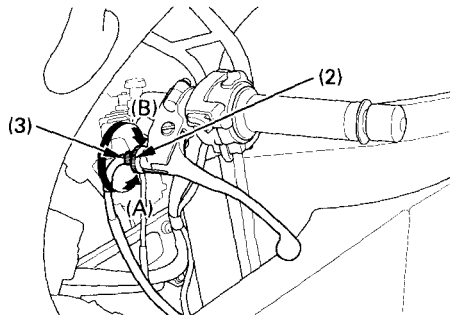
La garde normale au levier d'embrayage est de:

10–20 mm



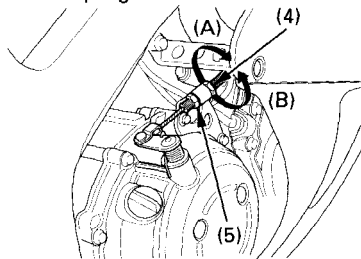
(1) Levier d'embrayage

1. Desserrer le contre-écrou (2) et agir sur le tendeur (3). Resserrer le contre-écrou (2) et vérifier le réglage.
2. Si le tendeur est presque entièrement dévissé et que l'on ne peut obtenir un réglage correct de la garde, desserrer le contre-écrou (2) et visser entièrement le tendeur (3). Resserrer le contre-écrou (2).



- (2) Contre-écrou  
(3) Tendeur de câble d'embrayage  
(A) Augmentation de la garde  
(B) Diminution de la garde

3. Desserrer le contre-écrou (5) à l'extrémité inférieure du câble. Agir sur l'écrou de réglage (4) pour obtenir la garde spécifiée. Resserrer le contre-écrou (5) et vérifier le réglage.
4. Mettre le moteur en marche, serrer le levier d'embrayage et engager un rapport. S'assurer que le moteur ne cale pas et que la moto n'avance pas au débrayé. Relâcher progressivement le levier d'embrayage et ouvrir la poignée des gaz. La moto doit commencer à bouger en douceur et accélérer progressivement.



- (4) Ecrou de réglage (A) Augmentation de la garde  
 (5) Contre-écrou (B) Diminution de la garde

**NOTE:**

- \* Si l'embrayage ne peut être correctement réglé ou s'il ne fonctionne pas correctement, s'adresser à un concessionnaire agréé Honda.

Autres contrôles:

S'assurer que le câble d'embrayage n'est pas vrillé ou usé ce qui pourrait provoquer son grippage ou sa rupture. Graisser le câble d'embrayage avec un lubrifiant pour câble en vente dans le commerce pour le protéger contre une usure prématurée et contre la corrosion.



## **LIQUIDE DE REFROIDISSEMENT**

### **Liquide de refroidissement préconisé**

Il convient de surveiller attentivement le liquide de refroidissement pour empêcher le gel, la surchauffe et la corrosion. N'utiliser que de l'antigel à l'éthylène-glycol de qualité supérieure contenant des inhibiteurs de corrosion expressément recommandés pour les moteurs en aluminium. (VOIR L'ÉTIQUETTE DU BIDON D'ANTIGEL.)

### **PRECAUTION**

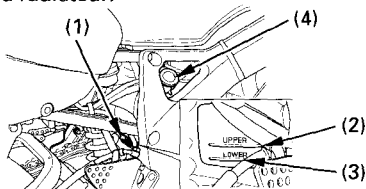
**\* Pour la solution d'antigel, n'utiliser que de l'eau potable à faible minéralité ou de l'eau distillée. Une eau à forte teneur en minéraux ou en sel peut être nocive pour le moteur en aluminium.**

A sa sortie d'usine, la moto contient une solution composée à 50 % d'antigel et à 50 % d'eau. Cette solution de refroidissement est conseillée pour la plupart des températures de fonctionnement et assure une bonne protection contre la corrosion. Une concentration plus élevée d'antigel diminue l'efficacité du circuit de refroidissement et n'est recommandée que lorsqu'une protection renforcée contre le gel est nécessaire. Une concentration de moins de 40 % d'antigel ne protège pas suffisamment contre la corrosion. Par temps de gel, contrôler fréquemment le circuit de refroidissement et, si nécessaire, augmenter la concentration d'antigel (sans toutefois dépasser 60 % d'antigel).

### Contrôle

Le vase d'expansion se trouve derrière le cadre.

Vérifier le niveau de liquide de refroidissement dans le vase d'expansion (1) alors que le moteur se trouve à sa température normale de fonctionnement avec la moto à la verticale. Si le niveau de liquide de refroidissement se trouve en dessous du repère de niveau minimum (LOWER) (3), retirer le bouchon du vase d'expansion (4) et faire l'appoint de mélange de refroidissement jusqu'au repère de niveau maximum (UPPER) (2). Ne pas retirer le bouchon du radiateur.



- (1) Vase d'expansion
- (2) Repère de niveau maximum (UPPER)
- (3) Repère de niveau minimum (LOWER)
- (4) Bouchon de vase d'expansion

### ATTENTION

- \* Ne pas retirer le bouchon du radiateur lorsque le moteur est chaud. Le liquide de refroidissement se trouve sous pression et il pourrait provoquer de graves brûlures.
- \* Ne pas approcher mains et vêtements du ventilateur de refroidissement car il se met en marche automatiquement.

Si le vase d'expansion est vide ou si les pertes de liquide de refroidissement sont excessives, vérifier s'il n'y a pas de fuites et, le cas échéant, s'adresser à un concessionnaire agréé Honda pour la réparation.

## ESSENCE

### Robinet d'essence manuel

Le robinet d'essence manuel (1) se trouve sous le côté gauche du réservoir d'essence. Le placer sur ON pour le fonctionnement normal ou sur RES si l'alimentation principale d'essence est épuisée. La position OFF ne doit être utilisée que pour un long remisage de la moto ou pour une intervention sur le circuit d'alimentation.

### Membrane automatique de coupure d'essence

Lorsque le robinet d'essence est sur ON (ou sur RES), l'essence ne passe dans les carburateurs que si le moteur est mis en marche ou tourne. Une membrane coupe le passage de l'essence lorsque le moteur est arrêté.

### Réserve d'essence

Lorsque l'alimentation principale est épuisée, placer le robinet d'essence sur RES. Faire le plein le plus tôt possible après avoir positionné le robinet sur RES; puis remettre le robinet sur ON.

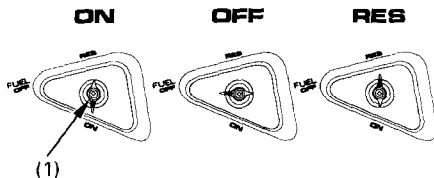
La capacité de la réserve d'essence est de:  
3,0 l

### ⚠ ATTENTION

- \* Pour ne pas risquer une panne d'essence en roulant, ce qui pourrait se traduire par un arrêt brutal, s'exercer à manoeuvrer le robinet d'essence en pilotant.

### NOTE:

- \* N'oublier pas de vérifier que le robinet d'essence est dans la position ON chaque fois que l'on fait le plein. Si le robinet est laissé sur la position RES, l'on risque de tomber en panne sèche, sans réserve.



(1) Robinet d'essence

### **Réservoir d'essence**

La capacité du réservoir d'essence y compris la réserve est de:

18,0 l

Pour ouvrir le bouchon du réservoir (1), introduire la clé de contact (2) et tourner dans le sens des aiguilles d'une montre. Le bouchon à charnières s'ouvre en tournant la clé.

Après avoir fait le plein, fermer le bouchon en l'introduisant dans le goulot de remplissage, jusqu'au déclic de blocage. Enlever la clé.

### **Sauf pour le MEXIQUE, AUSTRALIE:**

Utiliser de l'essence sans plomb ou à faible teneur en plomb avec un indice d'octane recherche de 91 ou plus. Nous vous recommandons d'utiliser de l'essence sans plomb car elle produit moins de dépôts dans le moteur et sur les bougies d'allumage et prolonge la durée de vie des composants du système d'échappement.

### **Uniquement pour le MEXIQUE**

Utiliser de l'essence sans plomb ou à faible teneur en plomb ayant un indice d'octane de recherche égal ou supérieur à 88.

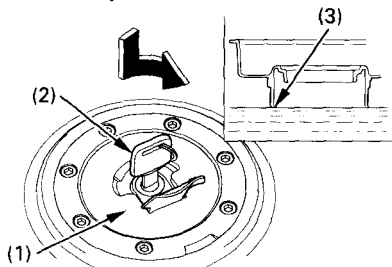
Recommandé – Essence super.

### **PRECAUTION**

**\* Si un "cognement" ou un "cliquetis" se produit alors que le régime moteur est stable sous une charge normale, changer de marque d'essence. Si le cognement ou le cliquetis persiste, s'adresser à un concessionnaire Honda. A défaut, ceci serait considéré comme un cas de mauvaise utilisation et les dommages causés par une mauvaise utilisation ne sont pas couverts par la garantie limitée Honda.**

## ⚠ ATTENTION

- \* L'essence est une substance extrêmement inflammable qui peut exploser dans certaines conditions. Faire le plein dans un endroit bien aéré et avec le moteur arrêté. Ne pas fumer et n'approcher ni flammes, ni étincelles près de l'endroit de stockage de l'essence ou près du moteur au moment de faire le plein.



- (1) Bouchon du réservoir
- (2) Clé de contact
- (3) Goulot de remplissage

## ⚠ ATTENTION

- \* Ne pas trop remplir le réservoir (l'essence ne doit pas atteindre le goulot de remplissage (3)). Après avoir refait le plein, s'assurer que le bouchon de remplissage d'essence est bien refermé.
- \* Prendre garde de ne pas renverser de l'essence lorsqu'on fait le plein. L'essence renversée ou les vapeurs d'essence risquent de s'enflammer. Si de l'essence a été renversée, l'essuyer avant de mettre le moteur en marche.
- \* Eviter un contact répété ou prolongé de l'essence avec la peau et ne pas respirer les vapeurs d'essence.  
**TENIR L'ESSENCE HORS DE PORTEE DES ENFANTS.**

### **Essences contenant de l'alcool**

Si l'on décide d'utiliser une essence contenant de l'alcool ("essence-alcool"), *assurer que son indice d'octane est au moins égal à l'indice recommandé. Il existe deux types "d'essence alcool": le premier contient de l'éthanol, le second du méthanol. Ne pas utiliser une essence-alcool contenant plus du 10 % d'éthanol. Ne pas utiliser une essence contenant du méthanol (alcool méthylique ou alcool de bois) sans dissolvants et inhibiteurs de corrosion pour méthanol. Ne jamais utiliser une essence contenant plus de 5 % de méthanol, ceci même si elle contient des dissolvants et des inhibiteurs de corrosion.*

### **NOTE:**

- \* Les dommages du circuit d'alimentation ou les problèmes de performances du moteur résultant de l'utilisation de carburants contenant de l'alcool ne sont pas couverts par la garantie. Honda n'est pas en mesure d'approuver l'utilisation de carburants contenant du méthanol car la preuve n'est pas encore pleinement faite qu'ils sont bien adaptés.
- \* Avant de se ravitailler dans une station-service que l'on connaît mal, essayer de savoir si l'essence contient de l'alcool, quel est le type d'alcool utilisé et dans quel pourcentage. Si l'on constate une anomalie de fonctionnement après avoir utilisé une essence contenant de l'alcool, ou une essence que l'on suspecte d'en contenir, revenir à une essence que l'on sait ne pas contenir d'alcool.

## HUILE MOTEUR

### Contrôle du niveau d'huile moteur

Vérifier le niveau de l'huile moteur chaque jour avant de prendre la route.

Le niveau doit être maintenu entre les marques de niveau supérieur (1) et inférieur (2) dans le regard d'inspection (3).

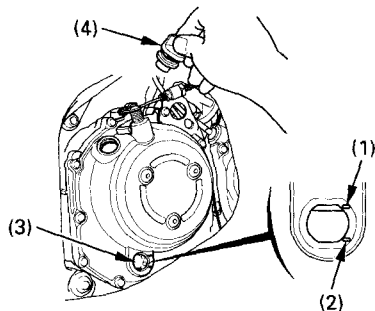
1. Mettre le moteur en marche et le laisser tourner au ralenti pendant quelques minutes. S'assurer que le témoin de pression d'huile basse s'éteint. Si le témoin reste allumé, arrêter immédiatement le moteur.
2. Arrêter le moteur et placer la moto à la verticale sur un sol horizontal et ferme.
3. Après quelques minutes, s'assurer que le niveau est bien compris entre les repères de niveau maximum (1) et minimum (2) du hublot de contrôle (3).
4. Si nécessaire, retirer le bouchon de remplissage d'huile (4) et ajouter de l'huile spécifiée (voir page 68) jusqu'au repère de niveau supérieur. Ne pas trop remplir.

5. Remettre le bouchon de remplissage d'huile en place.

Vérifier s'il y a des fuites d'huile.

### PRECAUTION

**\* L'utilisation du moteur avec une quantité d'huile insuffisante peut l'endommager sérieusement.**



- (1) Repère de niveau maximum
- (2) Repère de niveau minimum
- (3) Hublot de contrôle
- (4) Bouchon de remplissage

## PNEUS TUBELESS

Cette moto est équipée de pneus, valves et jantes tubeless. N'utiliser que des pneus portant la mention "TUBELESS" et des valves tubeless sur des jantes marquées "TUBELESS TIRE APPLICABLE".

Une pression correcte procure une stabilité maximale, assure le meilleur confort de pilotage et prolonge la durée de service des pneus.

Vérifier fréquemment la pression des pneus et, si nécessaire, la régler.

### NOTE:

- \* La pression des pneus doit être contrôlée lorsque les pneus sont froids, avant de piloter.
- \* Les pneus tubeless possèdent une certaine propriété d'auto-obturation en cas de crevaison et leur dégonflement est souvent très lent. Vérifier soigneusement s'il n'y a pas de fuites, tout particulièrement si le pneu n'est pas entièrement gonflé.

Dimensions de pneu	
Avant	130/70 ZR16
Arrière	180/55 ZR17
Pressions des pneus à froid kPa (kgf/cm <sup>2</sup> )	En solo
	Avant 250 (2,50)
	Arrière 290 (2,90)
	En duo
Avant 250 (2,50)	
Arrière 290 (2,90)	
Marque de pneu TUBELESS UNIQUEMENT	BRIDGESTONE
	Avant BT-56F RADIAL Arrière BT-56R RADIAL G
	MICHELIN
	Avant TX15 Arrière TX25



Rechercher la présence éventuelle de coupures, de clous ou autres objets perforants dans la structure du pneu. Vérifier si les jantes ne sont ni entaillées ni déformées. Si un dommage est constaté, s'adresser à un concessionnaire agréé Honda pour la réparation, le remplacement et l'équilibrage.

### **ATTENTION**

- \* Un gonflage incorrect des pneus entraîne une usure anormale de la bande de roulement et affecte la sécurité. Un gonflage insuffisant peut conduire à un glissement du pneu sur la jante ou à un déjantement, ce qui peut provoquer le dégonflement du pneu et faire perdre le contrôle du véhicule.
- \* Il est dangereux de rouler avec des pneus excessivement usés car ceci affecte la traction et la tenue de route.

Remplacer les pneus avant que la profondeur de sculpture au centre du pneu n'ait atteint la limite suivante:

Profondeur minimale de sculpture	
Avant :	1,5 mm
Arrière :	2,0 mm

**Réparation/remplacement des pneus:**  
S'adresser à un concessionnaire Honda.

### **▲ATTENTION**

- \* L'utilisation de pneus autres que ceux figurant sur l'étiquette d'indications des pneus peut affecter la tenue de route.
- \* Ne pas poser des pneus à chambre à air sur des jantes tubeless. Les talons peuvent ne pas trouver assise et les pneus glisser sur les jantes, provoquant ainsi un dégonflement du pneu pouvant faire perdre le contrôle du véhicule.
- \* Ne pas poser une chambre à air dans un pneu tubeless. Un échauffement excessif peut provoquer un éclatement et un dégonflement rapide du pneu pouvant faire perdre le contrôle du véhicule.
- \* Pour la stabilité de la tenue de route, il est nécessaire que la roue soit correctement équilibrée. Ne pas retirer ni changer de place les plombs d'équilibrage de la roue. Pour l'équilibrage des roues, s'adresser à un concessionnaire Honda. Un équilibrage de la roue est nécessaire après la réparation ou le remplacement du pneu.

### **▲ATTENTION**

- \* Pour ne pas risquer que la réparation "saute" et que le dégonflement du pneu fasse perdre le contrôle du véhicule, ne pas dépasser 80 km/h pendant les 24 premières heures qui suivent la réparation et 130 km/h après cela.
- \* Remplacer le pneu si son flanc est crevé ou endommagé. Une flexion du flanc du pneu peut faire "sauter" la réparation et provoquer un dégonflement du pneu pouvant faire perdre le contrôle du véhicule.

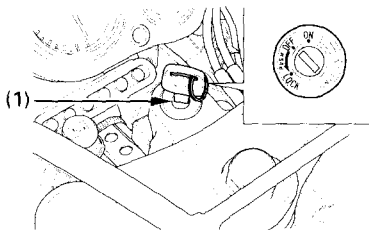
### **PRECAUTION**

- \* Ne pas essayer de démonter les pneus sans chambre sans outils spéciaux et protecteurs de jante. On risquerait d'endommager la surface d'étanchéité de la jante ou de déformer la jante.

## COMMANDES PRINCIPALES

### CONTACTEUR D'ALLUMAGE

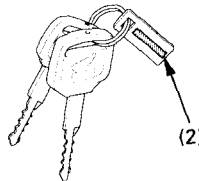
Le contacteur d'allumage (1) se trouve sous le panneau de témoins.



(1) Contacteur d'allumage

Vous recevrez une plaque d'identification portant le numéro de la clé en même temps que celle-ci.

Cette plaque d'identification sera nécessaire pour obtenir une clé de rechange, en cas de perte de la clé d'origine. Conserver cette plaque séparément dans un lieu sûr.






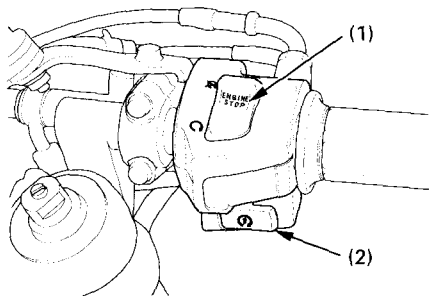
(2) Plaquette de numero de cle

Position de la clé	Fonction	Retrait de la clé
LOCK (antivol de direction)	La direction est bloquée. Le moteur ne peut pas être mis en marche et les feux ne peuvent pas être allumés.	La clé peut être retirée.
OFF	Le moteur ne peut pas être mis en marche et les feux ne peuvent pas être allumés.	La clé peut être retirée.
ON	Le moteur peut être mis en marche et les phares peuvent être allumés.	La clé ne peut pas être retirée.

## COMMANDES AU BRAS DROIT DU GUIDON

### Bouton d'arrêt du moteur

Le bouton d'arrêt du moteur (1) se trouve près de la poignée des gaz. Lorsque le bouton est sur la position  (RUN), le moteur fonctionne. Lorsqu'il est sur la position  (OFF), le moteur ne fonctionne pas. Ce bouton est destiné principalement aux cas d'urgence et doit normalement rester en position  (RUN).




(1) Bouton d'arrêt du moteur

(2) Bouton de démarrage

36

### Bouton de démarrage

Le bouton de démarrage (2) se trouve sous le bouton d'arrêt du moteur (1).

En appuyant sur le bouton de démarrage, le démarreur lance le moteur. Si l'interrupteur d'arrêt du moteur est positionné sur  (OFF), le démarreur ne fonctionne pas. Pour la méthode de démarrage, se reporter aux page 51 .

## COMMANDES AU BRAS GAUCHE DU GUIDON <Sauf type U>

### Commutateur du phare (1)

Le commutateur d'éclairage (1) comporte trois positions: ☼, ☼☼ et "OFF" marqué par un point blanc en dessous de ☼☼.

☼ : Le phare, le feu arrière, le feu de position et l'éclairage des compteurs sont allumés.

☼☼: Le feu de position, le feu arrière et l'éclairage des compteurs sont allumés.

OFF: Le phare, le feu arrière, le feu de (Point) position et l'éclairage des compteurs sont éteints.

### Inverseur code-phare (2)

Placer le commutateur phare-code sur ☼☼ (HI) pour le feu de route et sur ☼☼ (LO) pour le code.

### Bouton d'appel de phare (3)

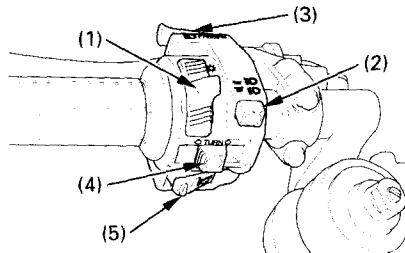
Appuyer sur ce bouton pour faire des appels de phares aux véhicules qui viennent d'en face ou que l'on s'apprête à dépasser.

### Inverseur de clignotant (4)

Placer le clignotant sur la position ⇐ (L) pour signaler une intention de tourner à gauche. Le placer sur la position ⇒ (R) pour signaler une intention de tourner à droite. Appuyer sur le clignotant pour l'éteindre.

### Bouton d'avertisseur sonore (5)



Appuyer sur ce bouton pour faire fonctionner l'avertisseur sonore.





- (1) Commutateur du phare
- (2) Inverseur code-phare
- (3) Bouton d'appel de phare
- (4) Inverseur de clignotant
- (5) Bouton d'avertisseur sonore

## COMMANDES AU BRAS GAUCHE DU GUIDON < Type U seulement >

### Inverseur code-phare (1)

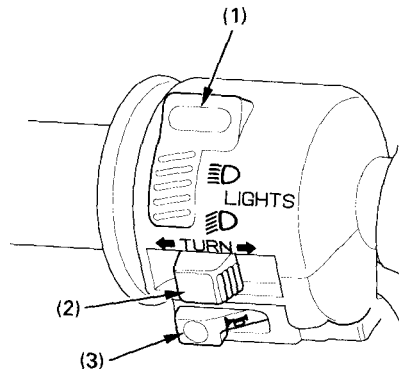
Placer le commutateur phare-code sur  (HI) pour le feu de route et sur  (LO) pour le code.

### Inverseur de clignotant (2)

Placer le clignotant sur la position  (L) pour signaler une intention de tourner à gauche. Le placer sur la position  (R) pour signaler une intention de tourner à droite. Appuyer sur le clignotant pour l'éteindre.

### Bouton d'avertisseur sonore (3)

Appuyer sur ce bouton pour faire fonctionner l'avertisseur sonore.



- (1) Inverseur code-phare
- (2) Interseur de clignotant
- (3) Bouton d'avertisseur sonore

## CARACTERISTIQUES

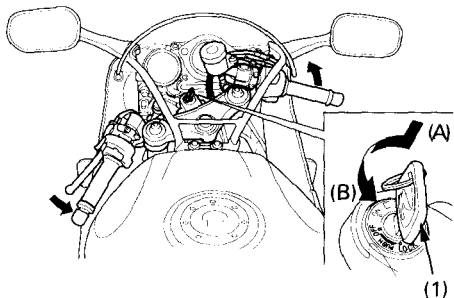
### (Non nécessaires pour le pilotage)

#### ANTIVOL DE DIRECTION

Pour verrouiller la direction, tourner le guidon à fond vers la gauche ou vers la droite, puis tourner la clé (1) sur LOCK tout en l'enfonçant. Retirer la clé.

#### **ATTENTION**

\* Ne pas tourner la clé sur LOCK pendant la marche, au risque de perdre le contrôle de la moto.



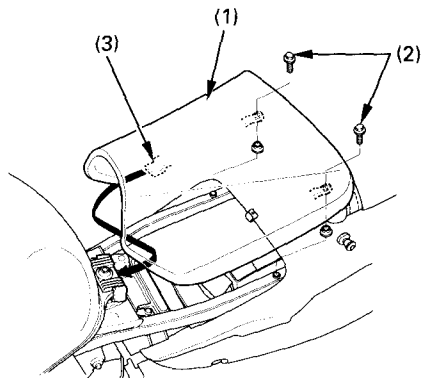
- (1) Clé de contact (A) Enfoncer  
(B) Tourner sur LOCK

## SELLE

### Selle avant

Pour déposer la selle avant (1), soulever l'extrémité de la selle et déposer les deux boulons de fixation (2), tirer ensuite la selle vers l'arrière et la soulever.

Pour reposer la selle avant, introduire la languette (3) dans la partie en creux sous le cadre et serrer à fond les boulons de fixation.



(1) Selle avant  
(2) Boulons de fixation

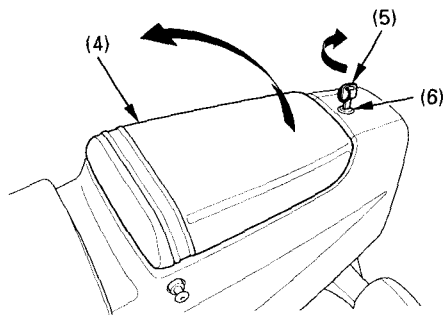
(3) Languette



### **Selle arrière**

Pour ouvrir la selle arrière (4), introduire la clé de contact (5) dans le verrou de la selle (6) et la tourner dans le sens des aiguilles d'une montre. Tirer ensuite la selle vers l'arrière et la soulever.

Pour refermer la selle arrière, appuyer sur l'arrière de la selle.



(4) Selle arrière

(6) Verrou de selle

(5) Clé de contact

## PORTE-CASQUE

Le porte-casque se trouve sous le siège arrière.

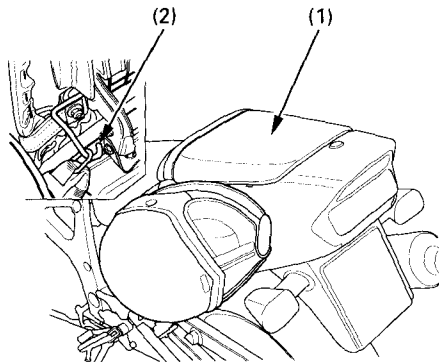
Soulever le siège arrière (1) (voir page 41).

Accrocher le casque au crochet du porte-casque (2).

Abaisser le siège arrière et bien le verrouiller.

### **ATTENTION**

**\* Le porte-casque est exclusivement destiné à être utilisé lorsque la moto est en stationnement. Ne pas rouler avec un casque accroché au porte-casque. Ceci pourrait affecter la sécurité de la moto et en faire perdre le contrôle.**



(1) Selle arrière

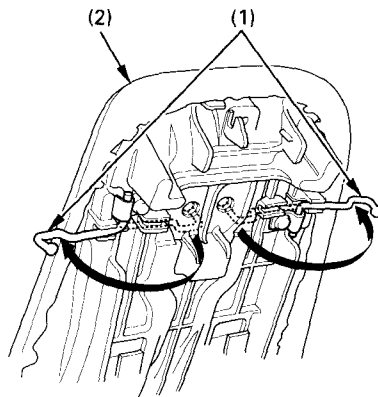
(2) Porte-casque

## CROCHETS D'ATTACHE DE BAGAGES

Cette moto est équipée d'un crochet d'attache des (1) bagages situés sous le siège arrière (2). Utiliser ces crochets à câble pour attacher les bagages.

### PRECAUTION

**\* Ne jamais utiliser les crochets d'attache pour remorquer ou soulever la moto.**

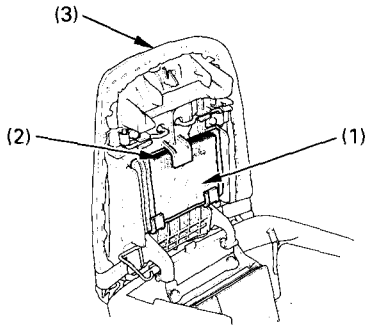


- (1) Crochets d'attache de bagages
- (2) Selle arrière

### POCHETTE A DOCUMENTS

La pochette à documents (1) se trouve dans le compartiment à documents (2) sous la selle arrière (3).

Ce manuel du conducteur et les autres documents doivent être rangés dans la pochette à documents. Lorsqu'on lave la moto, ne pas mettre trop d'eau sur cette partie.



- (1) Pochette à documents
- (2) Compartiment à documents
- (3) Selle arrière

44

### COMPARTIMENT DE RANGEMENT

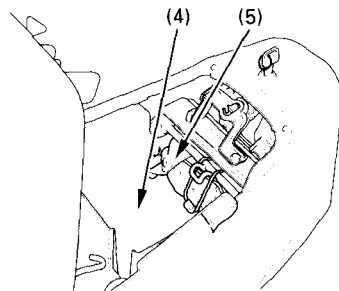
Le compartiment de rangement (4) se trouve sous la selle arrière.

Il est destiné à des objets légers.

Ne pas transporter plus de 2,0 kg dans ce compartiment.

La trousse à outil (5) doit être rangée dans ce compartiment.

Lorsqu'on lave la moto, veiller à ne pas inonder cette partie.



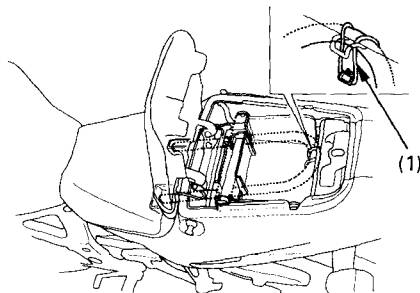
- (4) Compartiment de rangement
- (5) Trousse à outils

## COMPARTIMENT DE RANGEMENT POUR VERROU ANTIVOL EN FORME DE U

Le garde-boue arrière contient un compartiment de rangement pour placer un verrou antivol en forme de U sous la selle. Après le rangement, toujours bien serrer le verrou avec la sangle en caoutchouc (1).

### NOTE:

\* Certains verrous en forme de U ne peuvent pas être placés dans le compartiment en raison de leur taille ou de leur design.



(1) Sangle en caoutchouc

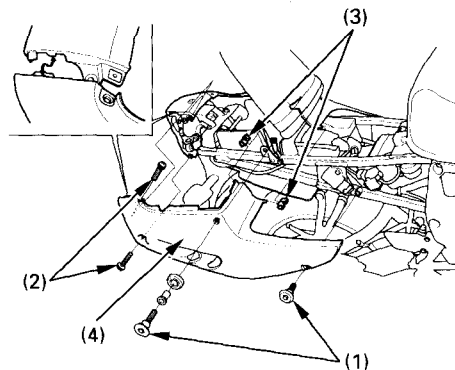
## CACHE LATERAL

### Dépose:

1. Déposer la selle avant (voir page 40).
2. Ouvrir la selle arrière (voir page 41).
3. Déposer les boulons (1).
4. Déposer les vis (2).
5. Déposer l'attaches (3).
6. Déposer les caches latéraux (4) en les tirant vers soi.

### Pose:

1. La dépose est effectuée en procédant dans l'ordre inverse de la pose.



(1) Boulons

(2) Vis

(3) Attaches

(4) Couvercle latéral

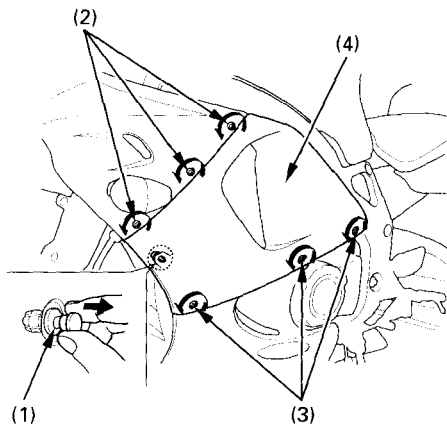
## CARENAGE CENTRAL

### Dépose:

1. Appuyer sur la languette (1).
2. Tourner l'attache inférieure (3) de 90° dans le sens contraire des aiguilles d'une montre et tourner ensuite l'attache supérieure (2).
3. Tirer le carénage central (4) vers le bas et le retirer.

### Pose:

1. Poser le carénage central (4) à partir du haut.
2. Tourner l'attache supérieure (2) de 90° dans le sens des aiguilles d'une montre et tourner ensuite l'attache inférieure (3).
3. Appuyer sur la languette (1).



- (1) Languette                      (3) Attaches inférieure  
(2) Attaches supérieure      (4) Carénage central

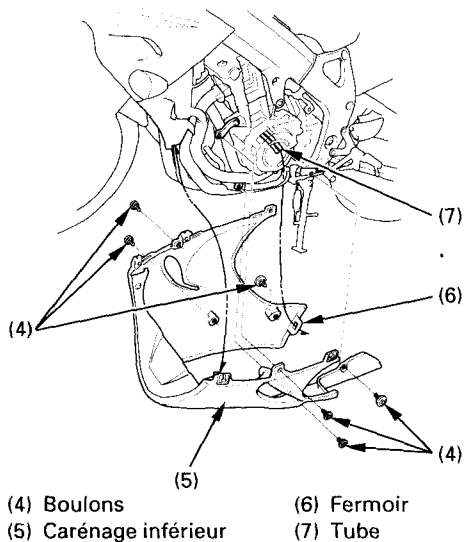
## CARENAGE INFÉRIEUR

### Dépose:

1. Déposer le carénage central (page 47).
2. Déposer les boulons (4).
3. Déposer le carénage inférieur (5).

### Pose:

1. La dépose est effectuée en procédant dans l'ordre inverse de la pose.
- Faire passer les tubes par le collier de serrage sur la partie inférieure du carénage.





## UTILISATION

### CONTROLES AVANT L'UTILISATION

#### **ATTENTION**

**\* En n'effectuant pas les contrôles avant l'utilisation, on risque de graves blessures corporelles ou des dommages importants du véhicule.**

Contrôler la moto chaque jour avant de piloter. Les contrôles indiqués ci-dessous ne demandent que quelques minutes. A long terme, non seulement ils se traduiront par des économies de temps et de coûts, mais ils sauveront peut-être aussi la vie.

1. Niveau d'huile moteur – faire l'appoint d'huile moteur si nécessaire (page 31). Vérifier s'il n'y a pas de fuites.
2. Niveau d'essence – faire le plein si nécessaire (page 28). Vérifier s'il n'y a pas de fuites.
3. Niveau du liquide de refroidissement – faire l'appoint si nécessaire. Vérifier s'il n'y a pas de fuites (pages 25 – 26).

4. Fonctionnement des freins avant et arrière – s'assurer qu'il n'y a pas de fuite du liquide de frein (pages 19 – 22).
5. Pneus – vérifier leur état et la pression (pages 32 – 34).
6. Chaîne secondaire – vérifier son état et sa tension (page 76). La régler et la graisser si nécessaire.
7. Poignée des gaz – s'assurer qu'elle s'ouvre en douceur et se ferme à fond dans toutes les positions du guidon.
8. Feux et avertisseur sonore – s'assurer que le phare, le feu arrière/stop, les clignotants, les témoins et l'avertisseur sonore fonctionnent correctement.
9. Interrupteur d'arrêt du moteur – s'assurer qu'il fonctionne correctement (page 36).
10. Système de coupure d'allumage de béquille latérale – s'assurer qu'il fonctionne correctement (page 84).

Avant de piloter, corriger tous les points incorrects. Si un problème ne peut être résolu, consulter un concessionnaire agréé Honda.

## MISE EN MARCHÉ DU MOTEUR

Cette moto est dotée d'un système de coupure de l'allumage de béquille latérale.

Le moteur ne peut être mis en marche avec la béquille abaissée que si la boîte de vitesses est au point-mort. Si la béquille latérale est relevée, le moteur peut être mis en marche au point-mort ou en prise si débrayé. Après le démarrage avec la béquille latérale abaissée, le moteur s'arrêtera si la boîte de vitesses est mise en prise.

### **ATTENTION**


**\* Ne jamais faire tourner le moteur dans un endroit clos. Les gaz d'échappement contiennent du monoxyde de carbone qui est un gaz toxique pouvant provoquer des évanouissements et être mortel.**

#### NOTE:

**\* Ne pas solliciter le démarreur pendant plus de 5 secondes d'affilée. Relâcher le bouton de démarrage pendant environ 10 secondes avant de l'enfoncer à nouveau.**

## Préparation

Avant de mettre le moteur en marche, introduire la clé, la tourner sur ON et s'assurer que:

- La boîte de vitesses est au point mort (témoin de point mort allumé).
- L'interrupteur d'arrêt du moteur est sur  (RUN).
- Le témoin rouge de basse pression d'huile est allumé.
- Le robinet d'essence est sur ON.

### Méthode de démarrage

Pour remettre en marche un moteur chaud, procéder comme il est indiqué sous "Température atmosphérique élevée".

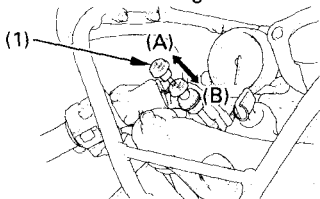
#### Température atmosphérique normale

10°–35°C

1. Tirer le bouton du starter (1) à fond (A), si le moteur est froid.
2. Faire démarrer le moteur sans ouvrir la poignée des gaz.

#### NOTE:

\* Ne pas ouvrir le papillon des gaz quand vous faites démarrer le moteur au starter. Cela risquerait d'appauvrir le mélange et de rendre le démarrage difficile.



- (1) Bouton de starter  
(A) Position d'ouverture complète  
(B) Position de fermeture complète

3. Immédiatement après la mise en marche du moteur, actionner le bouton de starter (1) pour garder le ralenti accéléré à:  
2.000–3.000 min<sup>-1</sup> (tr/mn)
4. Environ quinze secondes après le démarrage du moteur, enfoncer à fond la tirette du starter (1) vers la position "OFF" (B).
5. Si le ralenti est instable, ouvrir légèrement la poignée des gaz.

#### **PRECAUTION**

\* **Le témoin rouge de basse pression d'huile doit s'éteindre quelques secondes après le démarrage du moteur. S'il reste allumé, arrêter immédiatement le moteur et vérifier le niveau d'huile moteur. Ne pas utiliser le moteur avec une pression d'huile insuffisante car ceci pourrait sérieusement l'endommager.**

### Température atmosphérique élevée

35°C ou plus

1. Ne pas utiliser le dispositif d'enrichissement à froid.
2. Ouvrir légèrement la poignée des gaz.
3. Mettre le moteur en marche.

### Température atmosphérique basse


10 °C ou moins

1. Effectuer les opérations des étapes 1 à 2 décrites sous "Température atmosphérique normale".
2. Lorsque le régime du moteur commence à augmenter, actionner la tirette de starter pour maintenir le régime de ralenti accéléré à:  
2.000 – 3.000 min<sup>-1</sup> (tr/mn)
3. Continuer à faire chauffer le moteur jusqu'à ce qu'il tourne régulièrement et qu'il réagisse à la commande des gaz lorsque le bouton de starter (1) se trouve sur Fully OFF (B).

### **PRECAUTION**

- \* **L'ouverture des gaz ou du ralenti accéléré pendant plus de 5 minutes environ à température ambiante normale peut entraîner une décoloration du tuyau d'échappement.**
- \* **Un usage prolongé du starter peut affecter la lubrification du piston et de la paroi de cylindre.**

### **Moteur noyé**

Si le moteur ne démarre pas après plusieurs tentatives, il se peut qu'il soit noyé par un excès d'essence. Pour y remédier, laisser l'interrupteur d'arrêt du moteur sur  (RUN) et repousser le starter jusqu'à la position de fermeture complète (B). Ouvrir la poignée des gaz à fond et lancer le moteur pendant 5 secondes. Si le moteur démarre, couper rapidement les gaz, avant d'ouvrir légèrement si le régime de ralenti est irrégulier. Si le moteur ne démarre pas, attendre 10 secondes et se reporter à la procédure de démarrage.

## RODAGE

Durant le rodage initial, les surfaces nouvellement usinées de la moto sont en contact entre elles et s'usent rapidement. La révision de rodage aux 1.000 km a pour objet de corriger cette petite usure initiale. L'exécution en temps utile de cette révision permettra d'obtenir une durée de service maximale et les meilleures performances du moteur.

Les règles générales à observer sont les suivantes:

1. Ne jamais emballer le moteur lorsqu'il tourne à bas régime. Cette règle n'est pas seulement valable pour le rodage: elle doit être constamment respectée.
2. Durant les 1.000 premiers kilomètres, le régime maximum en continu ne doit pas dépasser  $5.000 \text{ min}^{-1}$  (tr/mn).
3. Augmenter le régime moteur maximum en continu de  $2.000 \text{ min}^{-1}$  (tr/mn) entre les indications de 1.000 km et 1.600 km du compteur kilométrique. Conduire sans mollesse, changer fréquemment d'allure et ne rouler à pleins gaz que par petits coups. Ne pas dépasser  $7.000 \text{ min}^{-1}$  (tr/mn).

4. Lorsque l'indication du compteur kilométrique atteint 1.600 km, il devient possible de rouler à pleins gaz. Toutefois, ne jamais dépasser  $11.000 \text{ min}^{-1}$  (tr/mn) (zone rouge du compte-tours).

## PRECAUTION

**\* Faire tourner le moteur à un régime supérieur au régime maximal spécifié pourrait endommager le moteur.**

## PILOTAGE

### ATTENTION

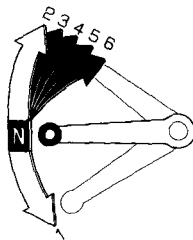
\* Avant de piloter, relire les indications données sous "La sécurité de pilotage" (pages 1 – 5 ).

#### NOTE:

\* Vérifier le fonctionnement du mécanisme de la béquille latérale. (Voir PROGRAMME D'ENTRETIEN à la page 62 et l'explication sur la BEQUILLE LATÉRALE à la page 84 .)

1. Une fois que le moteur est chaud, la machine est prête à rouler.
2. Le moteur tournant au ralenti, engager le levier d'embrayage et appuyer sur la pédale de changement de vitesse pour passer en première (rapport inférieur).
3. Libérer lentement le levier d'embrayage tout en augmentant progressivement la vitesse du moteur en ouvrant la commande des gaz. Une bonne coordination de la commande des gaz et du levier d'embrayage assurera un départ en douceur.

4. Lorsque la machine atteint une vitesse modérée, refermer les gaz, tirer sur le levier d'embrayage et passer en seconde en soulevant la pédale d'embrayage. Répéter cette procédure pour passer progressivement en 3ème, 4ème, 5ème et 6ème (rapport supérieur).
5. Coordonner le mouvement de la poignée des gaz et des freins pour assurer une décélération régulière.
6. Les freins avant et arrière doivent être utilisés simultanément et ne pas être actionnés au point de bloquer la roue, faute de quoi l'efficacité de freinage serait réduite et le contrôle de la moto difficile.



## **PILOTAGE A BASSE ALTITUDE**

〈 **Type MX seulement** 〉

Si cette moto est pilotée à faible altitude, le mélange air-carburant devient trop pauvre. Au-dessous de 1.000 m, la manoeuvrabilité et les performances peuvent être réduites. Le carburateur peut être modifié pour compenser les effets du manque d'altitude. Les spécifications de sortie d'usine du carburateur doivent, cependant, être rétablies lorsque la moto doit à nouveau être pilotée à une altitude plus élevée. Voir un revendeur Honda agréé pour les réglages de basse altitude.

### **PRECAUTION**

- \* **Une utilisation prolongée à une altitude supérieure à 1.500 m avec un carburateur modifié pour basse altitude peut noyer le moteur.**



## FREINAGE

1. Pour le freinage normal, actionner progressivement les freins avant et arrière tout en rétrogradant sur un rapport adapté à l'allure de la moto.
2. Pour une décélération maximale, fermer la poignée des gaz et actionner énergiquement les freins avant et arrière. Tirer le levier d'embrayage avant que la machine s'arrête complètement afin de prévenir que le moteur ne cale.

### ▲ATTENTION

- \* L'utilisation d'un seul frein réduit l'efficacité du freinage. Un freinage trop violent peut bloquer une roue et rendre difficile le contrôle du véhicule.
- \* Autant que possible, ralentir ou freiner avant d'aborder un virage. En coupant les gaz ou en freinant dans un virage, on risque de patiner et d'éprouver des difficultés à garder le contrôle du véhicule.

### ▲ATTENTION

- \* Sur des chaussées détrempées, sous la pluie ou sur des sols meubles, la maniabilité et l'efficacité de freinage sont réduites. Dans de telles conditions, les manoeuvres ne doivent pas être brusques. Des accélérations, des freinages ou des braquages brutaux peuvent faire perdre le contrôle du véhicule. Par sécurité, être extrêmement prudent en freinant, en accélérant ou en tournant.
- \* Dans les descentes longues et raides, utiliser le frein moteur en rétrogradant et actionner les deux freins par intermittence. Un freinage continu peut surchauffer les freins et réduire leur efficacité.
- \* Si l'on garde le pied sur la pédale de frein ou la main sur le levier de frein, ceci peut allumer le feu stop et induire en erreur les autres usagers. Ceci peut également se traduire par une surchauffe des freins et une perte de leur efficacité.

## **STATIONNEMENT**

1. Après avoir arrêté la moto, passer au point-mort, placer le robinet d'essence sur OFF, tourner le guidon à fond vers la gauche, placer le contacteur d'allumage sur OFF et retirer la clé de contact.
2. En stationnement, mettre la moto en appui sur la béquille latérale.

### **PRECAUTION**

- \* **Garer la moto sur un terrain ferme et horizontal pour qu'elle ne risque pas de se renverser.**
  - \* **Si l'on doit stationner sur une pente l'egère, diriger l'avant de la moto vers l'amont pour qu'elle ne risque pas de passer par dessus la béquille ou de se renverser.**
3. Verrouiller la direction pour empêcher le vol (page 39).

### CONSEILS POUR ÉVITER LE VOL

1. Toujours verrouiller la direction et ne jamais laisser la clé sur le contacteur d'allumage. Cette règle pourtant simple est souvent oubliée.
2. S'assurer que les renseignements sur l'immatriculation de la moto sont exacts et à jour.
3. Ranger autant que possible la moto dans un garage fermant à clé.
4. Utiliser un antivol supplémentaire de bonne qualité.
5. Inscrire ses nom, adresse et numéro de téléphone dans ce manuel et garder toujours celui-ci sur la moto.  
Le propriétaire d'une moto volée est souvent identifié par les renseignements qui figurent sur le Manuel du Conducteur.

NOM: \_\_\_\_\_

ADRESSE: \_\_\_\_\_

\_\_\_\_\_

\_\_\_\_\_

N° DE TELEPHONE: \_\_\_\_\_

## ENTRETIEN

- Le programme d'entretien requis précise les intervalles entre chaque entretien, ainsi que les points de contrôle. Il est essentiel de se conformer à ce programme afin que votre motocyclette soit toujours au plus niveau de sécurité, fiabilité et contrôle des gaz d'échappement.
- Ces instructions présupposent que la moto n'est utilisée qu'aux fins auxquelles elle est destinée. Une utilisation continue à grande vitesse ou dans des endroits anormalement mouillés ou poussiéreux demandera un entretien plus fréquent que celui prévu dans le TABLEAU D'ENTRETIEN. Le concessionnaire Honda est à même de fournir des recommandations pour l'usage particulier qui doit être fait de cette moto.

## PROGRAMME D'ENTRETIEN

Le programme d'entretien suivant décrit toutes les procédures d'entretien requises pour maintenir votre motocyclette en état parfait. L'entretien sera effectué conformément aux normes et spécifications de Honda, par des mécaniciens expérimentés et avec le matériel adéquat. Votre concessionnaire Honda répond à toutes ces exigences.

A chaque révision, effectuer les "Contrôles avant l'utilisation (page 49)".

I : CONTROLER ET NETTOYER, REGLER, GRAISSER OU, REMPLACER, SI NECESSAIRE.

C : NETTOYER R : REMPLACER A : REGLER L : GRAISSER

ELEMENT	FREQUENCE	CELUI DE CES CAS SE PRESENTANT LE	INDICATION DU TOTALISATEUR KILOMETRIQUE [NOTE (1)]								Se reporter à la page	
			PREMIER	× 1.000 km	1	6	12	18	24	30		36
			↓	× 1.000 mi	0,6	4	8	12	16	20		24
		NOTE	MOIS									
* CANALISATION D'ESSENCE						I		I		I	-	
* FONCTIONNEMENT DE LA COMMANDE DES GAZ						I		I		I	74	
* STARTER						I		I		I	-	
* FILTRE A AIR		NOTE (2)					R			R	-	
BOUGIES D'ALLUMAGE						I		R		I	72	
* JEU AUX SOUPAPES								I			-	
HUILE MOTEUR				R		R		R		R	68	
FILTRE A HUILE MOTEUR				R		R		R		R	69	
* SYNCHRONISATION DES CARBURATEURS						I		I		I	-	
* VITESSE DE RALENTI DU MOTEUR				I	I	I	I	I	I	I	75	
LIQUIDE DE REFROIDISSEMENT DU RADIATEUR		NOTE (3)				I		I		R	25	
* CIRCUIT DE REFROIDISSEMENT						I		I		I	-	
* SYSTEME D'ALIMENTATION EN AIR SECONDAIRE		NOTE (4)				I		I		I	-	

ELEMENT	FREQUENCE	CELUI DE CES DAS SE PRESENTANT LE	INDICATION DU TOTALISATEUR KILOMETRIQUE [NOTE (1)]								Se reporter à la page	
			PREMIER	× 1.000 km	1	6	12	18	24	30		36
			↓	× 1.000 mi	0,6	4	8	12	16	20		24
		NOTE	MOIS		6	12	18	24	30	36		
					I, L	Tour les 1.000 km				76		
						I		I		I	82	
						I	I	R	I	I	R	19
						I	I	I	I	I	I	92
						I		I		I		19, 92
*							I		I		I	—
*							I		I		I	—
						J	I	I	J	I	I	23
							I		I		I	84
*							I		I		I	83
*						I		I		I		—
**							I		I		I	—
**						I		I		I		—

- \* CET ENTRETIEN DOIT ÊTRE EFFECTUÉ PAR UN CONCESSIONNAIRE AGRÉÉ HONDA À MOINS QUE L'UTILISATEUR NE DISPOSE DES OUTILS APPROPRIÉS ET NE SOIT MÉCANIQUEMENT QUALIFIÉ. IL SE REPORTERA DANS CE CAS AU MANUEL D'ATELIER OFFICIEL HONDA.
- \* \* PAR MESURE DE SÉCURITÉ. IL EST RECOMMANDÉ DE NE CONFIER L'ENTRETIEN DE CES POINTS QU'À UN CONCESSIONNAIRE AGRÉÉ HONDA.

Honda recommande de demander à votre concessionnaire Honda de faire un essai sur route de la motocyclette après chaque entretien périodique.

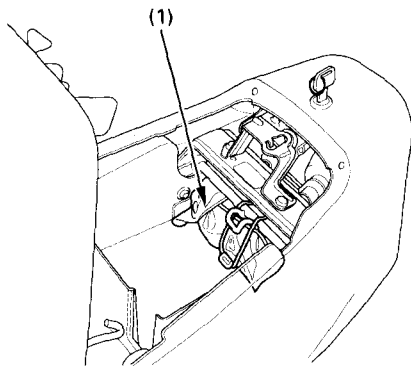
- NOTES:
- (1) Au-delà du kilométrage indiqué, effectuer l'entretien en respectant les intervalles indiqués ci-dessus.
  - (2) Augmenter la fréquence d'entretien en cas d'utilisation dans des conditions anormalement humides ou poussiéreuses.
  - (3) Remplacer tous les 2 ans, ou aux intervalles du compteur kilométrique indiqués, selon le cas se présentant le premier. Le remplacement nécessite des connaissances mécaniques.
  - (4) Uniquement type Suisse et Autriche.

## TROUSSE A OUTILS

La trousse à outils (1) se trouve sous la selle arrière.

Les outils qu'elle contient permettent de faire quelques réparations de première urgence, de petits réglages et des remplacements de pièces.

- Clé à ergot
- Clé à bougie
- Clé polyonale de 10 × 12 mm
- Clé plate de 8 × 12 mm
- Clé plate de 10 × 14 mm
- Pincés
- Tournevis cruciforme n° 2
- Tournevis n° 2
- Manche de tournevis
- Poignée de rallonge
- Clé à hexagonale de 5 mm
- Clé polyonale de 22 mm
- Clé polyonale de 27 mm
- Cale d'épaisseur 0,7 mm
- Trousse à outils



(1) Trousse à outils

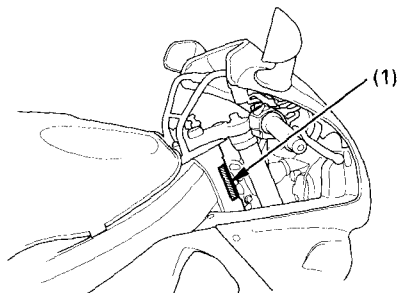


## NUMEROS DE SERIE

Les numéros de série du cadre et du moteur sont nécessaires lors de l'immatriculation de la moto. Ils peuvent également être demandés par le concessionnaire lors d'une commande de pièces de rechange.

Les noter ci-dessous pour pouvoir les retrouver facilement.

N° DE CADRE \_\_\_\_\_

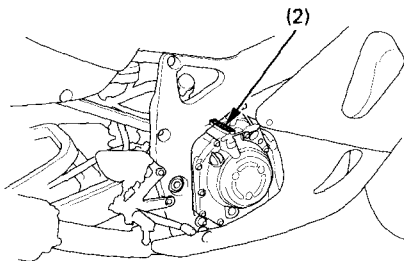


(1) Numéro du cadre

Le numéro de cadre (1) est estampé sur le côté droit de la colonne de direction.

Le numéro de moteur (2) est estampé sur le dessus du carter moteur.

N° DE MOTEUR \_\_\_\_\_



(2) Numéro du moteur

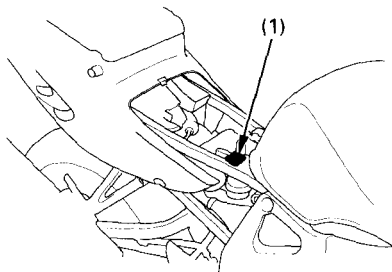
## ETIQUETTE DE COLORIS

L'étiquette de coloris (1) sur le cadre, sous la selle avant (page 40).

Elle est utile lors de la commande de pièces de rechange. Noter le coloris et le code ci-dessous pour pouvoir les retrouver facilement.

COLOUR \_\_\_\_\_

CODE \_\_\_\_\_



(1) Etiquette de coloris

## PRECAUTIONS POUR L'ENTRETIEN

### **▲ATTENTION**

- \* Si la moto a été renversée ou accidentée, vérifier si les leviers de commande, les câbles, les flexibles de frein, les étriers, les accessoires et les autres pièces essentielles n'ont pas été endommagés. Ne pas rouler si les dommages rendent l'utilisation hasardeuse. Faire vérifier par un concessionnaire Honda si les éléments principaux, et en particulier le cadre, la suspension et les pièces de la direction, ne présentent pas un désalignement ou un dommage que l'on n'a pas pu soi-même détecter.
- \* Pour l'entretien ou les réparations, utiliser des pièces d'origine Honda neuves ou leur équivalent. Des pièces de qualité inférieure peuvent affecter la sécurité de la moto et l'efficacité des circuits de contrôle des gaz d'échappement.

### **▲ATTENTION**

- \* Avant toute intervention, arrêter le moteur et soutenir solidement la moto sur une surface ferme et horizontale.

## HUILE MOTEUR

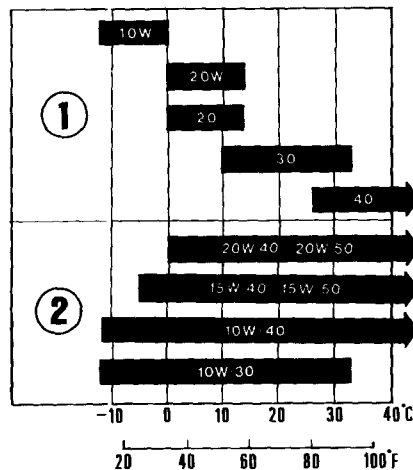
(Se reporter aux précautions d'entretien à la page 67.)

### Huile Moteur

Une bonne huile moteur est déterminante pour le fonctionnement et l'état du moteur. N'utiliser qu'une huile moteur hautement détergente de qualité supérieure, répondant aux prescriptions pour la classification service API SE, SF ou SG, ou les dépassant.

### Viscosité:

La viscosité de l'huile doit être basée sur la température atmosphérique moyenne du lieu d'utilisation. On trouvera ci-dessous un guide pour le choix du grade ou de la viscosité de l'huile à utiliser selon les différentes températures atmosphériques.



(1) Monograde

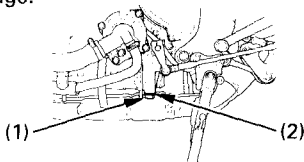
(2) Multigrade

### Huile moteur et filtre à huile

La qualité de l'huile moteur est un facteur essentiel à la prolongation de la durée de vie utile du moteur.

Renouveler l'huile moteur conformément aux spécifications du calendrier d'entretien (page 61).

Le remplacement du filtre à huile demande l'utilisation d'une clé dynamométrique et d'un outil spécial pour filtre. Nous conseillons aux personnes qui n'ont pas les connaissances nécessaires ou qui ne disposent pas de ces outils de confier ce remplacement à un distributeur Honda agréé. Si une clé dynamométrique n'a pas été utilisée pour effectuer ce remplacement, demander dès que possible à un distributeur Honda agréé de procéder à la vérification du montage.



- (1) Bouchon de vidange d'huile  
(2) Rondelle d'étanchéité

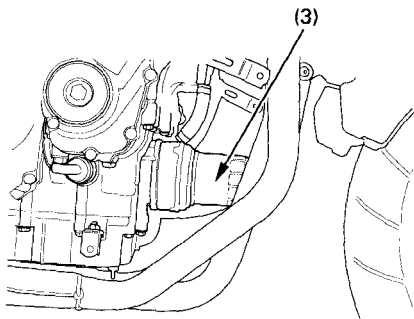
### NOTE:

- \* Renouveler l'huile moteur avec le moteur à la température normale de fonctionnement et avec la moto sur sa béquille latérale. Ceci permet une vidange plus rapide et plus complète.

### PRECAUTION

- \* **Pour ne pas risquer de fuites d'huile et une détérioration du filtre, ne jamais faire soutenir le moteur par le filtre à huile.**

1. Déposer le carénage central (page 47) et le carénage inférieur (page 48).
2. Pour vidanger l'huile, déposer le bouchon de remplissage d'huile, le bouchon de vidange de carter (1) et la rondelle d'étanchéité (2).

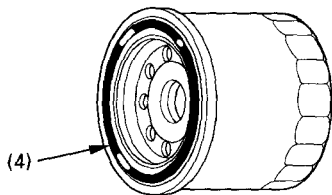


(3) Filtre à huile

### ▲ATTENTION

\* Le moteur et l'huile à l'intérieur sont chauds: prendre garde de ne pas se brûler.

3. Déposer le filtre à huile (3) à l'aide d'une clé à filtre et laisser s'écouler l'huile résiduelle.
4. Passer une mince couche d'huile moteur sur le nouveau joint en caoutchouc du filtre à huile (4).
5. Poser un filtre à huile neuf à l'aide de l'outil spécial et d'une clé dynamométrique et serrer au couple de:  
10 N·m (1,0 kgf·m)



(4) Joint en caoutchouc de filter à huile

6. N'utiliser que le filtre à huile Honda d'origine ou un filtre de qualité équivalente spécifié pour le modèle.  
L'utilisation d'un filtre Honda incorrect ou d'un filtre d'une autre marque dont la qualité n'est pas équivalente peut entraîner des dommages du moteur.
7. S'assurer que la rondelle d'étanchéité du bouchon de vidange est en bon état et remettre le bouchon en place. Remplacer la rondelle d'étanchéité tous les deux renouvellements d'huile ou à chaque renouvellement si nécessaire.  
Couple de serrage du bouchon de vidange:  
30 N·m (3,1 kgf·m)
8. Remplir le carter moteur avec l'huile de la catégorie préconisée, d'environ:  
3,6 l
9. Remettre le bouchon de remplissage d'huile en place.
10. Faire démarrer le moteur et le laisser tourner au ralenti pendant 2 à 3 minutes.
11. Après que le moteur a été arrêté pendant plusieurs minutes, vérifier que le niveau de l'huile atteint le repère supérieur de la jauge, la moto étant maintenue droite sur un sol horizontal et ferme. Vérifier qu'il n'y a aucune fuite d'huile.

#### NOTE:

- \* En cas d'utilisation dans des endroits très poussiéreux, la fréquence de renouvellement de l'huile doit être supérieure à celle indiquée dans le tableau d'entretien.
- \* Se débarrasser de l'huile moteur usée sans dégrader l'environnement. Il est recommandé de la porter à la déchetterie ou au garage local dans un bidon fermé. Ne pas la jeter aux ordures, sur le sol ou à l'égout.

#### **PRECAUTION**

- \* **L'huile usée du moteur peut provoquer le cancer de la peau si elle reste longtemps en contact avec la peau. Bien que le risque soit très limité si l'on ne manipule pas d'huile quotidiennement, il est toutefois recommandé de se laver les mains avec de l'eau et du savon dès que possible après un contact avec de l'huile usée.**

## **BOUGIES D'ALLUMAGE**

(Se reporter aux précautions d'entretien à la page 67.)

Bougies recommandées:

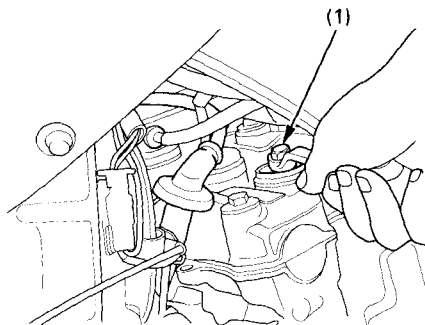
Standard:

CR9EH-9 (NGK) ou  
U27FER 9 (NIPPONDENSO)

Pour climats froids: (moins de 5°C)

CR8EH-9 (NGK) ou  
U24FER 9 (NIPPONDENSO)

1. Pour déposer les bougies, retirer le carénage central (1) (page 47).
2. Débrancher les capuchons des bougies.
3. Nettoyer toute saleté autour de la base de bougie. Retirer la bougie en utilisant la clé à bougie (1) fournie dans la trousse à outils.

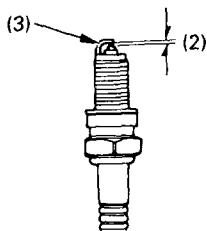


(1) Clé à bougie



4. Vérifier si les électrodes et la porcelaine centrale ne sont pas encrassées, abîmées ou calaminées. Si la détérioration ou les dépôts de calamines sont importants, remplacer la bougie. Décalaminer ou dégraisser la bougie avec un nettoyeur de bougies ou une brosse métallique.
5. Vérifier l'écartement de la bougie d'allumage (2) en utilisant un calibre dépaisseur type fil. Si un réglage est nécessaire, plier avec soin l'électrode latérale (3).

L'écartement des électrodes doit être de:  
0,80—0,90 mm



- (2) Ecartement des électrodes de la bougie  
(3) Electrode latérale

6. Avec la rondelle de bougie en place, visser la bougie à la main pour ne pas risquer d'endommager son filetage.
7. Si la bougie est neuve, la serrer d'un demi-tour avec une clé à bougie pour comprimer la rondelle. Si la bougie est réutilisée, il suffit de la serrer de 1/8 e à 1/4 de tour après que la bougie vient en butée.
8. Reposer les capuchons des bougies d'allumage.

#### PRECAUTION

- \* La bougie d'allumage doit être correctement serrée. Une bougie d'allumage mal serrée peut devenir très chaude et endommager le moteur.
- \* Ne pas utiliser une bougie d'allumage de degré thermique incorrect. Le moteur pourrait être sérieusement endommagé.

## FONCTIONNEMENT DE LA COMMANDE DES GAZ

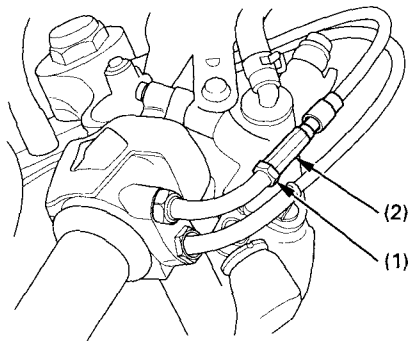
(Se reporter aux précautions d'entretien à la page 67.)

1. S'assurer que la poignée des gaz s'ouvre en douceur au maximum et se ferme automatiquement à fond dans toutes les positions du guidon.

2. Mesurer la garde à la poignée des gaz sur le rebord.

La garde standard est d'environ:  
2-6 mm

Pour régler la garde, desserrer le contre-écrou (1) et tourner le tendeur (2).



(1) Contre-écrou

(2) Tendeur

## REGIME DE RALENTI

(Se reporter aux précautions d'entretien à la page 67.)

Pour un réglage du régime de ralenti précis, le moteur doit être à la température normale de fonctionnement. Dix minutes de conduite avec des arrêts et marches répétés suffisent.

### NOTE:

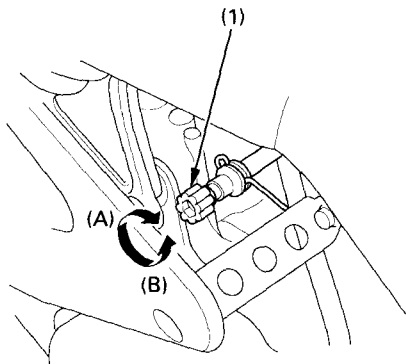
\* Ne pas essayer de compenser des défauts dans d'autres systèmes en ajustant le régime de ralenti. Consulter un concessionnaire de Honda pour les réglages périodiques du carburateur, y compris les ajustements et la synchronisation de carburateur individuel.

1. Faire chauffer le moteur et passer au point-mort et placer la moto sur béquille latérale.
2. Régler le régime de ralenti avec la vis butée de ralenti (1).

Régime de ralenti (au point mort):

$1.100 \pm 100 \text{ min}^{-1} (\text{tr/mn}) \dots \text{Sauf SW}$

$1.100 \pm 50 \text{ min}^{-1} (\text{tr/mn}) \dots \text{SW}$



- (1) Vis de butée des gaz    (A) Augmenter  
(B) Réduire

## CHAÎNE SECONDAIRE

(Se reporter aux précautions d'entretien à la page 67.)

La durée de service de la chaîne secondaire dépend de son graissage et de son réglage. Un mauvais entretien peut accélérer l'usure ou endommager non seulement la chaîne secondaire mais aussi les pignons.

La chaîne secondaire doit être vérifiée et lubrifiée pendant l'inspection préliminaire (page 49). En cas d'utilisation sévère ou si la moto est utilisée dans des endroits inhabituellement poussiéreux ou boueux, un entretien plus fréquent est nécessaire.

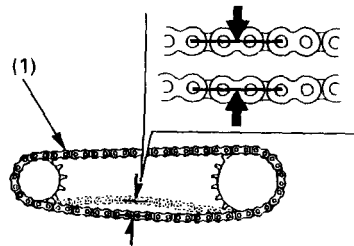
### Contrôle:

1. Arrêter le moteur, placer la moto sur sa béquille latérale et passer au point-mort.
2. Contrôler la flèche de la chaîne sur son brin inférieur à mi-chemin entre le pignon de sortie de boîte et la couronne.

La flèche de la chaîne doit être réglée de sorte que le mouvement vertical de la chaîne effectué à la main se situe entre les valeurs suivantes:

30 – 40 mm

3. Faire rouler la moto et vérifier la flèche de la chaîne lorsque la roue tourne. La flèche de la chaîne doit rester constante lorsque la roue tourne. Si seules certaines parties de la chaîne sont souples, c'est que certains maillons sont coincés ou grippés. Un grippage ou un coincement peuvent fréquemment être éliminés par un graissage.



(1) Chaîne secondaire

4. Faire tourner lentement la roue arrière et vérifier si la chaîne, le pignon de sortie de boîte et la couronne ne présentent pas les anomalies suivantes:

#### CHAÎNE SECONDAIRE

- \* Rouleaux endommagés
- \* Axes desserrés
- \* Maillons secs ou rouillés
- \* Maillons coincés ou grippés
- \* Usure excessive
- \* Mauvais réglage
- \* Joints toriques manquants

#### PIGNON ET COURONNE

- \* Dents excessivement usées
- \* Dents cassées ou endommagées

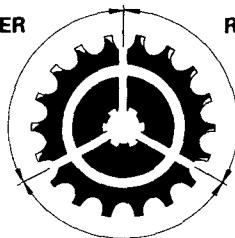
Une chaîne secondaire dont les rouleaux sont endommagés, les axes desserrés ou les joints toriques manquants doit être remplacée. Un chaîne sèche ou présentant des signes de rouille doit être graissée. Les maillons coincés ou grippés doivent être entièrement lubrifiés et décoincés. Si les maillons ne peuvent être décoincés, la chaîne doit être remplacée.

Dents de pignon endommagées

Dents de pignon usées

**REPLACER**

**REPLACER**

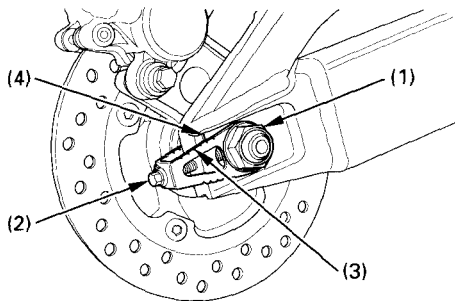


Dents en bon état

**BON**

### Réglage:

La flèche de la chaîne secondaire doit être contrôlée et, si nécessaire, réglée tous les 1.000 km. En cas d'utilisation prolongée à grande vitesse ou avec de fréquentes accélérations rapides, un réglage plus fréquent peut être nécessaire.



- (1) Ecrou d'axe                      (3) Repères d'index  
(2) Boulon de réglage            (4) Repère d'index

Pour régler la chaîne secondaire, procéder comme suit:

1. Mettre la moto sur sa béquille latérale avec la boîte de vitesses au point mort et le contact coupé.
2. Desserrer l'écrou d'axe de roue (1).
3. Tourner les boulons de réglage (2) dans le sens inverse des aiguilles d'une montre pour resserrer la chaîne ou dans le sens des aiguilles d'une montre pour augmenter la flèche. Ajuster la flèche de la chaîne en un point intermédiaire entre la couronne d'entraînement et la couronne de la roue arrière. Faire tourner la roue arrière et vérifier la flèche aux autres sections de la chaîne.

La flèche de la chaîne doit être de:  
30 – 40 mm

4. Vérifier l'alignement de l'axe de roue arrière en s'assurant que les repères (3) du tendeur de chaîne sont en regard de l'index (4) sur le bras oscillant.

Les repères gauche et droit doivent correspondre. Si l'axe de roue est mal aligné, agir sur l'écrou de réglage droit ou gauche pour que les repères coïncident avec le bord arrière des fentes de réglage, puis vérifier à nouveau la flèche de la chaîne.

5. Serrer l'écrou d'axe au couple de serrage spécifié.

Couple de serrage d'écrou d'axe:  
95 N·m (9,7 kgf·m)

6. Serrer légèrement les boulons de réglage.

#### **PRECAUTION**

**\* Des dommages à la partie inférieure du cadre peuvent être provoqués par un relâchement excessif d'entraînement de la chaîne supérieur à :  
50 mm**

### Contrôle de l'usure:

Lors du réglage de la chaîne, contrôler l'étiquette d'usure de la chaîne. Si la zone rouge (5) de l'étiquette vient en regard du repère long (4) des plaques du tendeur de chaîne après que la flèche de la chaîne ait été réglée à la valeur prescrite, l'usure est excessive et la chaîne doit être remplacée. La flèche de la chaîne doit être de:

30 – 40 mm

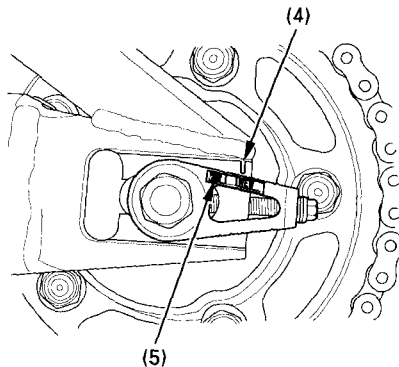
Chaîne de rechange:

DID 525HV•GC&B

ou

RK GB525ROZ1

Cette moto possède une chaîne secondaire avec maillon-maître à ridelle qui nécessite un outil spécial pour la découpe et la fixation. Ne pas utiliser un maillon-maître ordinaire avec cette chaîne. Consulter un concessionnaire Honda.



(4) Repère d'index

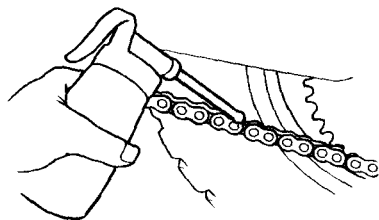
(5) Zone rouge



### Graissage et nettoyage:

Graisser la chaîne tous les 1.000 km ou plus tôt si elle semble sèche.

Les joints toriques de cette chaîne peuvent être endommagés par le nettoyage à la vapeur, les dispositifs de lavage à haute pression et certains solvants. Nettoyer la chaîne avec un solvant à point d'éclair élevé tel que le kérosène. L'essuyer et ne la lubrifier qu'avec de l'our engrenages SAE 80 ou 90. Les lubrifiants pour chaînes disponibles dans le commerce risquent d'endommager les joints toriques en caoutchouc.



### **PRECAUTION**

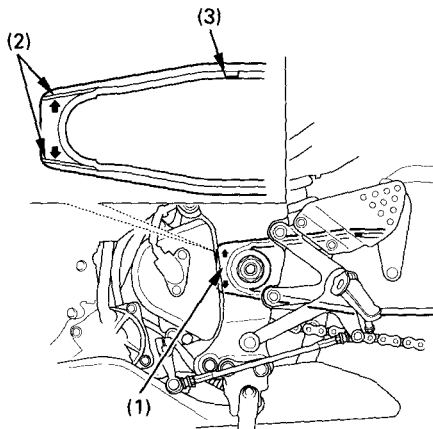
**\* La chaîne secondaire de cette moto comporte de petits joints toriques entre les plaques des maillons. Ces joints toriques retiennent la graisse à l'intérieur de la chaîne afin de la rendre plus durable. Des précautions spéciales doivent être prises lors du réglage, du graissage, du lavage et du remplacement de la chaîne.**

## GLISSIÈRE DE CHAÎNE SECONDAIRE

(Se reporter aux précautions d'entretien à la page 67.)

Vérifier le degré d'usure du glissière de chaîne (1).

Le curseur de chaîne doit être remplacé s'il est usé jusqu'au trait de limite d'usure (2) ou au fond de la rainure (3). Pour le remplacement, voir son revendeur Honda agréé.



- (1) Glissière de chaîne
- (2) Trait de limite d'usure
- (3) Gorges d'indicateur d'usure

## **INSPECTION DE SUSPENSION AVANT ET ARRIERE**

(Se reporter aux précautions d'entretien à la page 67.)

1. Contrôler l'ensemble de la fourche en bloquant le frein et en comprimant la fourche vigoureusement. Le mouvement de la suspension doit être doux et il ne doit pas y avoir de fuites d'huile.
2. Les roulements de bras oscillant doivent être vérifiés en poussant durement contre le côté de la roue arrière alors que la motocyclette se trouve sur une cale de support. Le jeu libre indique les roulements usés.
3. Vérifier avec soin le serrage de toutes les fixations des suspension avant et arrière.

## BEQUILLE LATÉRALE

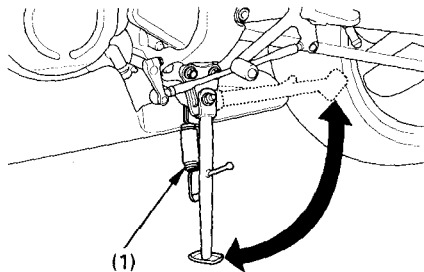
(Se reporter aux précautions d'entretien à la page 67.)

Effectuer l'entretien suivant conformément au programme d'entretien.

### Contrôle de fonctionnement:

- Vérifier si le ressort (1) de la béquille latérale n'est pas endommagé et s'il n'a pas perdu de sa tension. S'assurer de la liberté de mouvement de l'ensemble de la béquille latérale.
- Vérifier le système de coupure d'allumage par béquille latérale:
  1. S'asseoir à califourchon sur la moto, relever la béquille latérale et passer au point-mort.
  2. Mettre le moteur en marche et, avec le levier d'embrayage serré, engager un rapport.
  3. Abaisser la béquille latérale. Le moteur doit s'arrêter lorsqu'on abaisse la béquille latérale.

Si le système de la béquille latérale ne fonctionne pas comme indiqué, le faire réparer par son concessionnaire Honda.



(1) Ressort de béquille latérale

## DEPOSE DES ROUES

(Se reporter aux précautions d'entretien à la page 67.)

### NOTE:

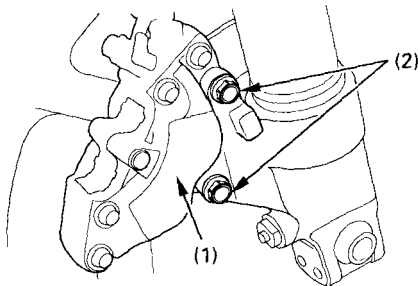
\* Cette moto n'est équipée que d'une béquille latérale. Par suite, pour déposer la roue avant ou arrière, il est nécessaire de soulever le milieu de la moto à l'aide d'un cric ou d'un autre support solide. Si l'on n'en dispose pas, confier cette intervention à un concessionnaire agréé Honda.

## Dépose de la roue avant

1. Décoller la roue avant du sol en plaçant un support sous le moteur.
2. Déposer l'ensemble d'étrier droit et gauche (1) de la jambe de fourche en retirant les boulons de fixation (2).

### PRECAUTION

\* Pour éviter d'endommager le flexible de frein, soutenir l'étrier de frein de sorte qu'il ne pende pas au bout du flexible. Ne pas tortiller le flexible de frein.

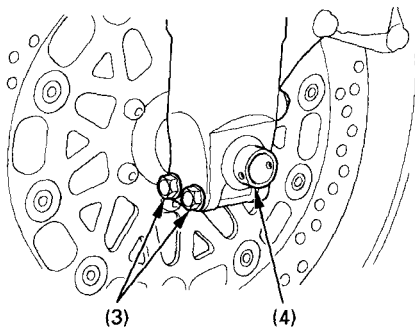


- (1) Ensemble d'étrier  
(2) Boulons de fixation

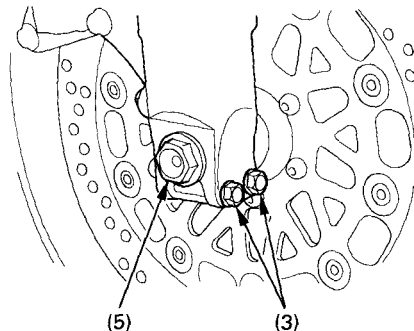
**NOTE:**

\* Ne pas appuyer sur la pédale de frein lorsque la roue à été déposée de la moto. Le piston d'étrier serait chassé du cylindre et le liquide de frein s'échapperait. Dans un tel cas, le circuit de freinage dot être révisé. Confier cette opération à un concessionnaire Honda agréé.

3. Desserrer les vis de bridage droit et gauche d'axe de roue (3), et déposer le boulon d'axe de roue (5).
4. Retirer l'axe de roue avant (4) et déposer la roue avant.



- (3) Vis de bridage d'axe de roue  
(4) Axe de roue avant



- (5) Boulon d'axe

Notes pour la repose:

Placer la roue avant entre les fourreaux de fourche et introduire l'axe de roue par le côté gauche à travers le fourreau de fourche gauche et le moyeu de roue.

Serrer le boulon d'axe de roue au couple spécifié.

Couple de serrage de l'axe de roue avant:

60 N·m (6,1 kgf·m)

Placer l'étrier sur le disque, en faisant attention à ne pas endommager les plaquettes de frein. Reposer les boulons de fixation de l'étrier et les serrer à un couple de serrage de:

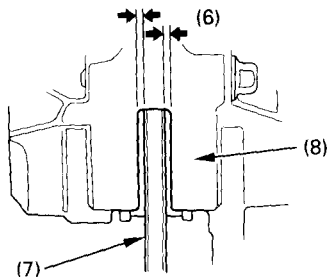
30 N·m (3,1 kgf·m)

Mesurer le jeu (6) entre chaque surface du disque de frein (7) et le support de l'étrier (8) avec un calibre d'épaisseur de 0,7 mm (9) (voir croquis).

Si la cale pénètre facilement, serrer les vis de bridage droit et gauche d'axe de roue (3) au couple spécifié.

Couple de serrage des vis de bridage d'axe de roue :

22 N·m (2,2 kgf·m)



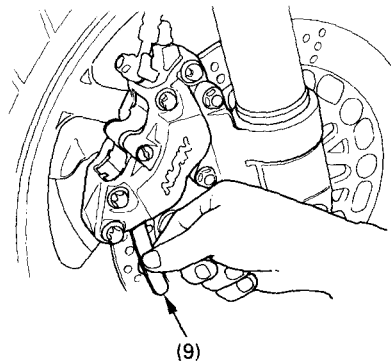
(6) Jeu

(7) Disque de frein

(8) Support d'étrier

### ▲ ATTENTION

\* Si une clé dynamométrique n'a pas été utilisée pour le serrage, faire vérifier aussitôt que possible le montage par un concessionnaire Honda. Un montage incorrect peut se traduire par une perte de l'efficacité de freinage.



(9) Calibre d'épaisseur



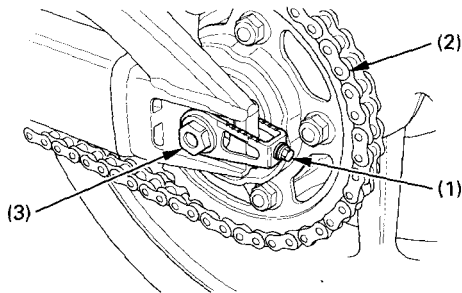
Si le calibre d'épaisseur ne peut être facilement inséré, tirer la patte vers l'extérieur ou la pousser vers l'intérieur jusqu'à ce que le calibre puisse être inséré et serrer les boulons de bridage d'axe avec le calibre inséré. Après le serrage, retirer le calibre. Après la repose de la roue, appliquer les freins à plusieurs reprises, puis vérifier le jeu entre le support d'étrier et le disque au niveau des deux disques. Ne pas utiliser la motocyclette sans un jeu adéquat.

#### **▲ATTENTION**

**\* Si le jeu entre le disque et le support d'étrier n'est pas correct, les disques de frein risquent d'être endommagés et l'efficacité de freinage affectée.**

### Dépose de la roue arrière

1. Décoller la roue arrière du sol en plaçant un support sous le moteur.
2. Desserrer l'écrou d'axe de roue arrière.
3. Desserrer les boulons de réglage de chaîne secondaire (1).
4. Déposer l'écrou d'axe de roue arrière.
5. Déposer la chaîne secondaire (2) de la couronne arrière en poussant la roue arrière en avant.



- (1) Boulons de réglage (3) Axe de roue  
(2) Chaîne secondaire

6. Déposer l'axe de roue (3), l'entretoise latérale et la roue arrière du bras oscillant.

### NOTE:

\* Ne pas appuyer sur la pédale de frein lorsque la roue a été déposée de la moto. Les pistons d'étrier seraient chassés hors du cylindre et le liquide de frein s'échapperait. Dans un tel cas, le circuit de freinage doit être révisé. Confier cette opération à un concessionnaire Honda agréé.

#### Notes pour la repose:

Pour reposer la roue arrière, inverser l'ordre de la dépose. Serrer l'écrou d'axe de roue au couple spécifié.

Couple de serrage de l'écrou d'axe de roue:  
95 N·m (9,7 kgf·m)

#### **PRECAUTION**

**\* Lors de la repose de la roue, placer soigneusement le disque de frein entre les plaquettes pour éviter d'endommager les plaquettes.**

Après avoir reposé la roue, serrer le frein à plusieurs reprises et s'assurer que la roue tourne librement lorsqu'on le relâche. Vérifier de nouveau la roue si le frein frotte ou si la roue ne tourne pas librement.

#### **ATTENTION**

**\* Si une clé dynamométrique n'a pas été utilisée pour le serrage, faire vérifier aussitôt que possible le montage par un concessionnaire Honda. Un montage incorrect peut se traduire par une perte de l'efficacité de freinage.**

## USURE DES PLAQUETTES DE FREIN

(Se reporter aux précautions d'entretien à la page 67.)

L'usure de plaquette de frein dépend de la sévérité de l'usage, du type de conduite et des conditions de la route. (En général, les plaquettes s'useront plus vite sur des routes mouillées et sales.)

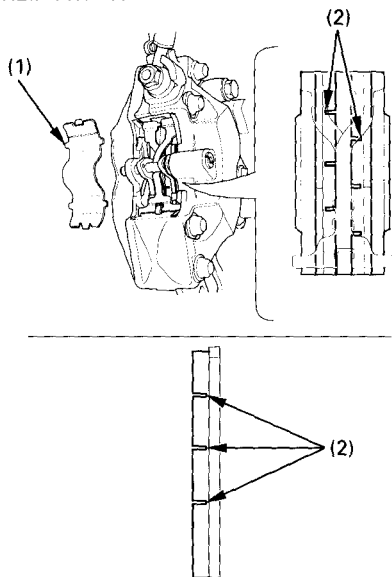
Vérifier les plaquettes à chaque intervalle d'entretien régulier (page 62).

### Frein avant

Retirer le couvercle (1) de l'étrier. Vérifier les gorges (2) dans chaque plaquette.

Si l'une des plaquettes est usée jusqu'au fond des gorges, remplacer les deux plaquettes ensemble. Consulter votre concessionnaire Honda pour ce service.

### < FREIN AVANT >

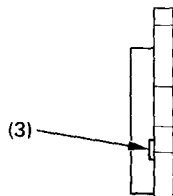
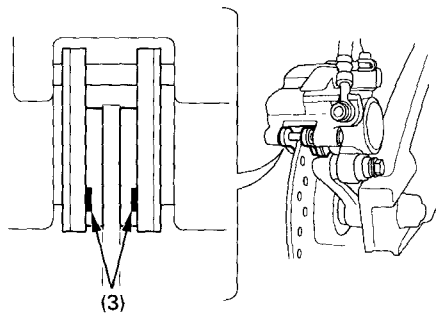


(1) Couvercle (2) Gorges d'indicateur d'usure

## Frein arrière

Vérifier la découpe (3) dans chaque plaquette.  
Si l'une des plaquettes est usée jusqu'à la découpe, remplacer les deux plaquettes ensemble. Consulter votre concessionnaire Honda pour ce service.

## < FREIN ARRIERE >



(3) Découpe

## BATTERIE

(Se reporter aux précautions d'entretien à la page 67.)

Il n'est pas nécessaire de vérifier le niveau d'électrolyte de la batterie ou de faire l'appoint d'eau distillée car la batterie est de type sans entretien (scellée). Si la batterie semble faible et/ou si l'on constate des pertes d'électrolyte (provoquant des difficultés au démarrage ou d'autres problèmes électriques), s'adresser à un concessionnaire Honda.

### PRECAUTION

- \* **Ne pas retirer le protecteur des bouchons de la batterie car ceci le détériorerait, entraînerait des fuites et endommagerait la batterie.**
- \* **Si la moto doit rester longtemps inutilisée, déposer la batterie de la moto et la charger entièrement.**  
**La ranger ensuite dans un endroit frais et sec. Si la batterie doit rester sur la moto, débrancher le câble négatif à la borne de la batterie.**

### ATTENTION

- \* **La batterie dégage des gaz explosifs. Ne pas autoriser d'étincelles, flammes ou cigarettes à proximité. Lors de la recharge ou de l'utilisation de la batterie dans un endroit clos, s'assurer que l'aération est suffisante.**
- \* **La batterie contient de l'acide sulfurique (électrolyte). Un contact avec la peau ou les yeux peut provoquer de graves brûlures. Porter des vêtements protecteurs et un masque.**
  - En cas de contact de l'électrolyte avec la peau, rincer à l'eau.
  - En cas de contact avec les yeux, rincer à l'eau pendant au moins 15 minutes et appeler un médecin.
- \* **L'électrolyte est un poison.**
  - En cas d'absorption, boire de grandes quantités d'eau ou de lait. Absorber ensuite du lait de magnésie ou de l'huile végétale et appeler un médecin.

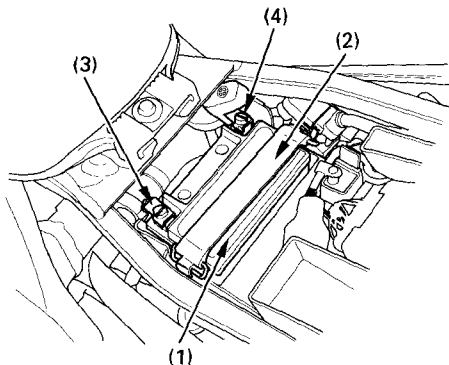
## **ATTENTION**

**\* TENIR HORS DE PORTEE DES ENFANTS.**

### **Dépose de la batterie**

La batterie (1) se trouve dans le caisson de batterie sous la selle avant.

1. Déposer la selle avant (page 40).
2. Décrocher la courroie (2).
3. Débrancher tout d'abord le câble négatif (-) (3) de la batterie, puis débrancher le câble positif (+) (4).
4. Retirer la batterie du caisson de batterie.



- (1) Batterie
- (2) Courroie
- (3) Câble négatif (-) de batterie
- (4) Câble positif (+) de batterie

## REPLACEMENT DES FUSIBLES

(Se reporter aux précautions d'entretien à la page 67.)

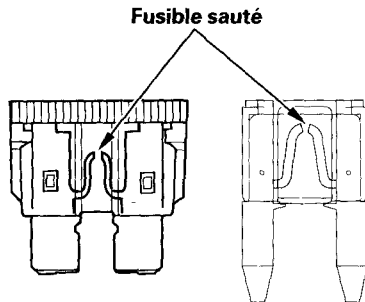
Si les fusibles sautent fréquemment, c'est généralement le signe d'un court-circuit ou d'une surcharge dans le circuit électrique. Confier dans ce cas la réparation à un concessionnaire Honda.

### PRECAUTION

\* Avant de contrôler ou de remplacer les fusibles, placer le contacteur d'allumage sur OFF pour empêcher un court-circuit accidentel.

### ATTENTION

\* Ne jamais utiliser un fusible de calibre différent de celui qui est prescrit. Ceci pourrait endommager sérieusement le circuit électrique ou provoquer un incendie, avec une perte dangereuse des feux ou de la puissance du moteur.





### Boîte à fusibles:

La boîte à fusibles se trouve sous le capot supérieur droit (1) du carénage supérieur.

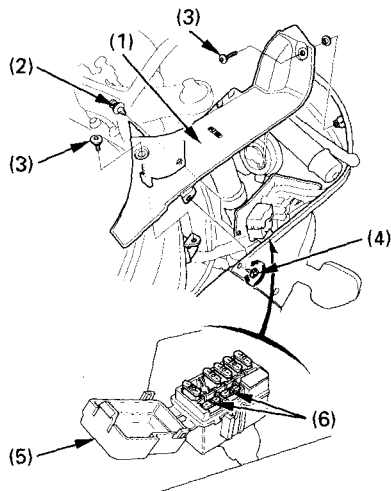
L'ampérage des fusibles à utiliser est:

10A , 20A

1. Tirer les languettes (2) et enlever les vis (3).
2. Tourner le fermail (4) et déposer le capot supérieur droit.
3. Ouvrir le couvercle de la boîte à fusibles (5).
4. Extraire l'ancien fusible et poser un fusible neuf.

Les fusibles de rechange (6) se trouvent dans la boîte à fusibles.

5. Fermer le couvercle de la boîte à fusibles et remettre le capot.



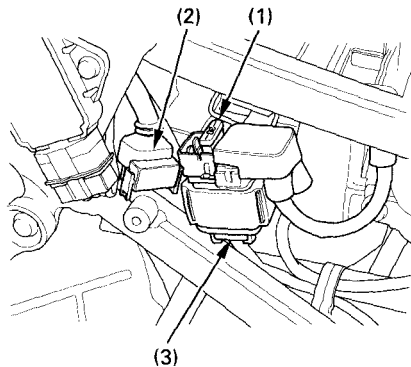
- (1) Capot supérieur droit
- (2) Languettes
- (3) Vis
- (4) Fermail
- (5) Couvercle de boîte à fusibles
- (6) Fusibles de rechange

### Fusible principal:

Le fusible principal (1) se trouve derrière le cache latéral droit. Le fusible spécifié est:

30A

1. Déposer la selle avant et le cache latéral (page 40).
2. Débrancher le connecteur du fil (2) du contacteur magnétique du démarreur.
3. Enlever l'ancien fusible en tirant et mettre un fusible neuf en place.  
Le fusible de rechange (3) se trouve sous le contacteur magnétique du starter.
4. Rebrancher le connecteur et reposer la selle avant et le cache latéral.



- (1) Fusible principal
- (2) Connecteur de fil
- (3) Fusible de rechange

## REPLACEMENT DE L'AMPOULE

(Se reporter aux précautions d'entretien à la page 67.)

### **ATTENTION**

- \* **L'ampoule du feu devient très chaude alors que le feu est allumé et reste chaude pendant un certain moment après être éteinte. Toujours la laisser se refroidir avant d'effectuer un entretien.**

### **PRECAUTION**

- \* **Ne pas laisser d'empreintes digitales sur l'ampoule de phare, car elles peuvent créer des points chauds sur l'ampoule et la faire éclater.**

**Porter des gants propres pendant le remplacement de l'ampoule.**

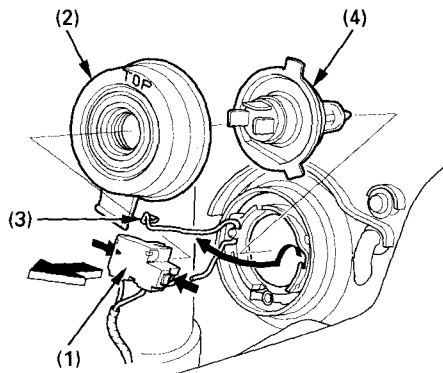
**Si vous touchez l'ampoule avec les mains nues, la nettoyer avec un chiffon imbibé d'alcool pour éviter une défaillance précoce.**

### NOTE:

- \* **Toujours couper le contact lors du remplacement de l'ampoule.**
- \* **Ne pas utiliser d'ampoules autres que celles spécifiées.**
- \* **Après la mise en place d'une ampoule neuve, vérifier que le feu fonctionne correctement.**

### L'ampoule de phare

1. Sortir la douille (1) sans tourner.
2. Déposer le cache poussiér (2).
3. Déposer l'ampoule (4) tout en enfonçant la goupille (3).
4. Sortir l'ampoule (4) sans tourner.
5. Mettre une ampoule neuve en place dans l'ordre inverse de la dépose.



(1) Douille

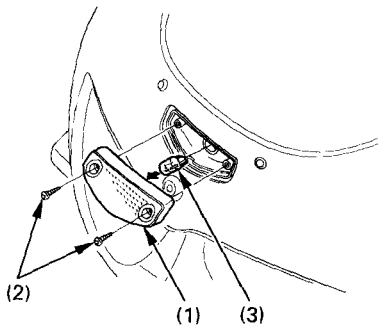
(2) Cache poussiér

(3) Goupille

(4) Ampoule

### L'ampoule de feu de position

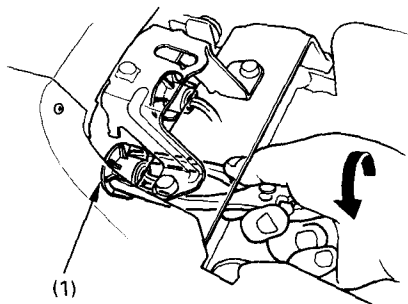
1. Déposer le verre du feu de position (1) en enlevant les vis (2).
2. Sortir l'ampoule (3) en la tirant sans tourner.
3. Mettre une ampoule neuve en procédant dans l'ordre inverse du démontage.



- (1) Verre du feu de position
- (2) Vis
- (3) Ampoule

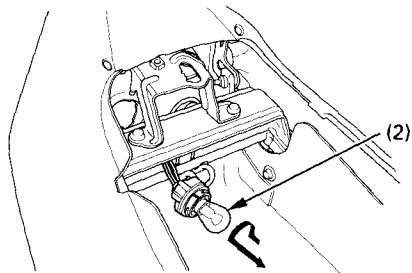
### L'ampoule de feu stop/arrière

1. Ouvrir la selle arrière (page 41).
2. Tourner la douille (1) de 90° dans le sens inverse des aiguilles d'une montre, puis la sortir vers soi.



(1) Douille

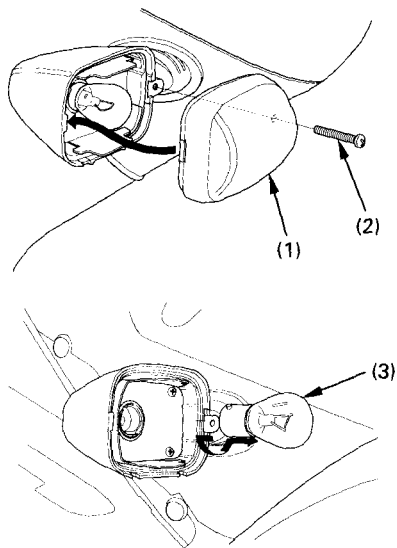
3. Appuyer légèrement sur l'ampoule (2) et la tourner dans le sens inverse des aiguilles d'une montre.
4. Mettre une ampoule neuve en place dans l'ordre inverse de la dépose.



(2) Ampoule

### L'ampoule de clignotant avant/arrière

1. Déposer le diffuseur du clignotant arrière (1) après avoir enlevé la vis (2).
2. Appuyer légèrement sur l'ampoule (3) et la tourner dans le sens contraire des aiguilles d'une montre.
3. Poser une ampoule neuve en procédant dans le sens inverse de la dépose.



(1) Optique  
(2) Vis

(3) Ampoule

## NETTOYAGE

Nettoyer régulièrement la moto pour en protéger le fini de surface. Vérifier également si elle n'est pas endommagée ou usée et si elle ne présente pas de fuites d'huile, de liquide de refroidissement ou de liquide de frein.

### PRECAUTION

**\* De l'eau (ou de l'air) sous haute pression peut endommager certaines pièces de la moto.**

Eviter de vaporiser de l'eau sous haute pression (cas type: dispositif de lavage automatique des voitures) sur les parties suivantes:

- Moyeux de roue
- Contacteur d'allumage
- Carburateurs
- Maître-cylindre de frein
- Instruments de bord
- Commandes du guidon
- Sortie de silencieux
- Dessous de réservoir d'essence
- Chaîne secondaire
- Dessous de selle
- Phare

1. Après le nettoyage, rincer entièrement la moto avec une grande quantité d'eau propre. Des restes de détergent puissant risquent de corroder les pièces en alliage.

### NOTE:

- \* Nettoyer le carénage, le verre de phare et autres pièces en plastique, à l'aide d'une éponge ou d'un chiffon humecté avec une solution d'eau et de détergent neutre. Nettoyer la surface sale en la frottant très légèrement et en la rinçant fréquemment à l'eau claire.
- \* L'intérieur de l'optique du phare peut être embué immédiatement après le lavage de la motocyclette. La condensation d'humidité dans l'optique du phare va disparaître graduellement en allumant le phare en feu de route. Faire tourner le moteur en maintenant le phare allumé.



2. Sécher la moto, mettre le moteur en marche et le faire tourner pendant quelques minutes.

### **⚠ ATTENTION**

- \* **Juste après le lavage de la moto, le freinage peut perdre temporairement de son efficacité. Pour ne pas risquer un accident, prévoir de plus grandes distances pour le freinage.**
3. Avant de piloter, tester les freins. Il pourra être nécessaire d'actionner plusieurs fois les freins pour qu'ils retrouvent leur efficacité normale.
  4. Graisser la chaîne secondaire immédiatement après avoir lavé et séché la moto.

### **Entretien des roues en aluminium**

L'aluminium se corrode au contact de la poussière, de la boue, du sel répandu sur la route etc... Après la conduite, nettoyer les roues avec une éponge humide et un détergent doux, puis bien les rincer à l'eau et les essuyer avec un chiffon propre.

### **PRECAUTION**

- \* **Ne pas utiliser de la laine d'acier ou un produit de nettoyage contenant des substances abrasives pour nettoyer les roues : ceci pourrait les endommager.**
- \* **Pour ne pas endommager la roue, s'arrêter pour monter sur les trottoirs et ne pas frotter la roue contre un obstacle.**

## Entretien du silencieux d'échappement en aluminium

〈 Sauf type E 〉

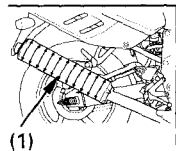
La poussière, la boue et le sel répandu sur les routes coordoent l'aluminium.

Pour éliminer les taches, utiliser un Scotch Brite Hand Pad # 7447 (marron) ou un produit équivalent.

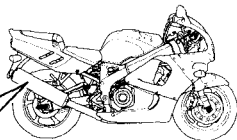
Humecter le tampon et polir en frottant d'un geste qui respecte la finition du silencieux d'échappement.

Nettoyer le silencieux d'échappement avec une éponge imbibée d'un détergent doux, puis bien rincer à l'eau propre.

Sécher le silencieux d'échappement avec un chiffon propre et doux en frottant d'un geste qui respecte la finition du silencieux d'échappement.



(1)



(1) Finition de surface

## PRECAUTION

- \* Eviter d'utiliser paille de fer, produits de polissage ou cire sur un silencieux en aluminium. La paille de fer peut endommager ou décolorer la surface. Un produit de polissage ou une cire peuvent décolorer la surface après avoir été chauffés par les gaz d'échappement.
- \* Le produit détachant pour silencieux d'échappement (Scotch Brite Hand Pad # 7447) ne doit s'employer que pour éliminer les taches sur les silencieux d'échappement en aluminium.
- \* Protéger le silencieux d'échappement avant d'utiliser un produit chimique quelconque pour le nettoyage de la roue arrière. Tout contact accidentel entre un produit chimique et le silencieux d'échappement risque d'endommager le fini de surface de ce dernier.

## GUIDE DE REMISAGE

Avant un remisage prolongé, pour l'hiver par exemple, il est nécessaire de prendre certaines précautions pour éviter que la moto ne se détériore par suite à son inutilisation. Si des réparations sont nécessaires, elles doivent être effectuées AVANT le remisage de la moto: elles risqueraient autrement d'être oubliées lors de la remise en service.

### REMISAGE

1. Renouveler l'huile moteur et remplacer le filtre à huile.
2. S'assurer que le circuit de refroidissement est rempli d'une solution antigel à 50%.
3. Vidanger le réservoir d'essence dans un récipient à essence approuvé en utilisant un siphon à main disponible dans le commerce ou une méthode équivalente. Vaporiser l'intérieur du réservoir avec une huile antirouille en aérosol.  
Reposer le bouchon de remplissage d'essence sur le réservoir.

### NOTE:

- \* La vidange du carburateur est très importante si le remisage doit durer plus d'un mois; elle assure des performances normales lors de la remise en service.

### **ATTENTION**

- \* **L'essence est une substance extrêmement inflammable qui peut exploser dans certaines conditions. Effectuer cette opération dans un endroit bien aéré et avec le moteur arrêté. Ne pas fumer et n'approcher ni flammes, ni étincelles près de l'endroit de stockage de l'essence ou près du moteur au moment de la vidange ou au moment de faire le plein.**

4. Procédez comme suit pour éviter la formation de rouille dans les cylindres:
  - Retirer les capuchons de bougie d'allumage des bougies d'allumage. A l'aide d'un ruban ou d'une ficelle, fixer les capuchons à une pièce en plastique convenable pour qu'ils se trouvent à distance des bougies d'allumage.
  - Retirer les bougies d'allumage du moteur et les ranger dans un endroit sûr. Ne pas connecter les bougies d'allumage aux capuchons de bougie d'allumage.
  - Verser une cuillère (15–20 cm<sup>3</sup>) d'huile moteur propre dans chaque cylindre et recouvrir les orifices de bougie d'allumage avec un morceau de tissu.
  - Lancer le moteur à plusieurs reprises pour bien distribuer l'huile.
  - Reposer les bougies d'allumage et les capuchons de bougie d'allumage.
5. Déposer la batterie. La ranger dans un endroit à l'abri du gel et des rayons directs du soleil.  
Charger lentement la batterie une fois par mois.
6. Laver la moto et la sécher. Cirer toutes les surfaces peintes. Enduire les parties chromées avec de l'huile antirouille.
7. Graisser la chaîne secondaire (voir page 81).
8. Gonfler les pneus aux pressions préconisées. Placer la moto sur cales pour que ses roues ne touchent pas le sol.
9. Recouvrir la moto d'une bâche (ne pas utiliser de bâches en matière plastique ni de matériaux à revêtement) et la ranger dans un endroit non chauffé, à l'abri de l'humidité et dont les variations de températures journalières sont minimum. Veiller à ce que la moto ne soit pas exposée aux rayons directs du soleil.

## **FIN DU REMISAGE**

1. Retirer la bâche et nettoyer la moto.  
Renouveler l'huile du moteur si plus de 4 mois se sont écoulés depuis le début du remisage.
2. Recharger la batterie si nécessaire.  
Reposer la batterie.
3. Vidanger l'excès d'huile antirouille en aérosol du réservoir d'essence. Faire le plein avec de l'essence fraîche.
4. Effectuer tous les "Contrôles avant l'utilisation" (page 49 ).  
Tester la moto en roulant à faible allure dans un endroit sûr à l'écart de la circulation.

## **CARACTERISTIQUES**

### **DIMENSIONS**

Longueur hors-tout	2.135 mm ...G, AR, SW, SD, ND 2.030 mm ...E, F, ED, U, IT, MX
Largeur hors-tout	675 mm
Hauteur hors-tout	1.130 mm
Empattement	1.405 mm ...Sauf MX 1.400 mm ...MX

### **POIDS**

Poids à sec	183 kg ...Sauf AR, SW 184 kg ...AR, SW
-------------	---

### **CAPACITES**

Huile moteur	
(après la vidange)	3,5 ℓ
(après la vidange et le remplacement du filtre à huile)	3,6 ℓ
(après le démontage)	4,4 ℓ
Réservoir d'essence	18,0 ℓ
Réserve d'essence	3,0 ℓ
Capacité du circuit de refroidissement	2,77 ℓ
Nombre de passagers	Le pilote et un passager
Poids maximal autorisé	186 kg ...Sauf AR, SW 185 kg ...AR, SW

## MOTEUR

Alésage et course	71,0 × 58,0 mm
Taux de compression	11,1 : 1
Cylindrée	919 cm <sup>3</sup>
Bougie d'allumage	
Standard	CR9EH-9 (NGK) ou U27FER 9 (NIPPONDENSO)
Pour climats froids (moins de 5°C)	CR8EH-9 (NGK) ou U24FER 9 (NIPPONDENSO)
Ecartement des électrodes	0,80 – 0,90 mm
Régime de ralenti	1.100 ± 100 min <sup>-1</sup> (tr/mn) ...Sauf SW 1.100 ± 50 min <sup>-1</sup> (tr/mn) ...SW
Jeu aux soupapes (à froid)	Admission      0,16 mm Echappement    0,22 mm

## **CADRE ET SUSPENSION**

Angle de chasse	24°
Longueur de chasse	90 mm
Dimensions de pneu avant	130/70 ZR16
Dimensions de pneu arrière	180/55 ZR17

## **TRANSMISSION**

Démultiplication primaire	1,520
Rapports	
1re	2,727
2e	1,933
3e	1,600
4e	1,400
5e	1,263
6e	1,166
Démultiplication finale	2,625...Sauf MX
	2,687...MX



## **CIRCUIT ELECTRIQUE**

Batterie	12V – 8AH
Alternateur	0,384 kw

## **FEUX ET TÊMOINS**

Phare	12V – 60/55W ...Sauf U
	12V – 45/45W ...U
Feu arrière/stop	12V – 5/21W
Clignotant      Avant	12V – 21W
Arrière	12V – 21W
Eclairage des instruments de bord	12V – 1,7W
Témoin de point-mort	12V – 1,7W
Témoin de clignotant	12V – 1,7W
Témoin de feu de route	12V – 1,7W
Témoin de basse pression d'huile	12V – 1,7W
Témoin de béquille latérale	12V – 1,7W
Feu de position	12V – 5W

## **FUSIBLE**

Fusible principal	30A
Autres fusibles	10A , 20A



**HONDA**

**CBR900RR  
FIRE BLADE**

**FAHRER-HANDBUCH**



## WICHTIGER HINWEIS

- **FAHRER UND BEIFAHRER**

Dieses Motorrad ist für den Betrieb mit Fahrer und Beifahrer konstruiert. Überschreiten Sie niemals das auf der Reifeninformationsplakette angegebene zulässige Zuladungsgewicht des Fahrzeugs.

- **STRASSENBETRIEB**

Dieses Motorrad ist nur für Straßenbetrieb konstruiert.

- **LESEN SIE DIESES FAHRERHANDBUCH AUFMERKSAM DURCH**

Widmen Sie Ihre besondere Aufmerksamkeit denjenigen Hinweisen und Anweisungen, die wie folgt gekennzeichnet sind:

### **▲ WARNUNG**

**Dort finden Sie besonders wichtige Hinweise und Anweisungen, deren Mißachtung Verletzungs- und Unfallgefahr für Leib und Leben bedeutet.**

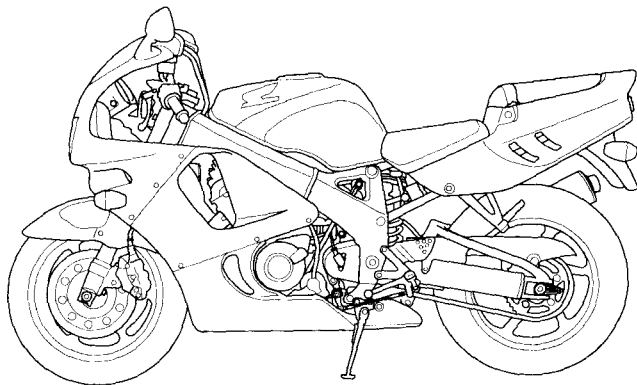
### **VORSICHT**

**Dort finden Sie wichtige Informationen über ungeeignete oder riskante Handhabungen Ihres Motorrads, die sowohl Sachbeschädigungen als auch Körperverletzungen verursachen können.**

ZUR BEACHTUNG: Gibt nützliche Information.

Diese Betriebsanleitung ist ein wichtiger Bestandteil der Fahrzeugausrüstung und sollte im Falle eines Weiterverkaufs Ihres Motorrads unbedingt bei dem Motorrad verbleiben.

**HONDA CBR900RR  
FIRE BLADE  
FAHRER-HANDBUCH**



**Alle Informationen in dieser Veröffentlichung beruhen auf der neuesten Produktinformation, die zum Zeitpunkt der Druckgenehmigung verfügbar war. Die Firma HONDA MOTOR CO., LTD. behält sich das Recht vor, Änderungen jederzeit und ohne Vorankündigung vorzunehmen, ohne irgendwelche Verpflichtungen einzugehen.**

**Kein Teil dieser Veröffentlichung darf ohne schriftliche Genehmigung reproduziert werden.**

## WILLKOMMEN

Das Motorrad stellt für seinen Besitzer eine Herausforderung dar, die Maschine zu beherrschen, eine Herausforderung zum Abenteuer. Sie spüren den Fahrtwind und sind mit der Straße verbunden durch ein Fahrzeug, das wie kein anderes Ihren Befehlen gehorcht. Im Gegensatz zum Auto umgibt Sie kein metallener Schutzkäfig. Wie bei einem Flugzeug sind sorgfältiges Prüfen einer Checkliste vor jeder Fahrt und regelmäßige Wartung wesentliche Sicherheitsfaktoren. Als Belohnung wartet die Freiheit auf zwei Rädern auf Sie.

Um der Herausforderung gut gewappnet zu begegnen und das Abenteuer voll zu genießen, sollten Sie dieses Fahrerhandbuch aufmerksam durchlesen, **BEVOR SIE MIT DEM MOTORRAD FAHREN.**

Wenn Wartungsarbeiten erforderlich sind, denken Sie daran, daß Ihr HONDA-Vertragshändler Ihr Motorrad am besten kennt. Falls Sie über das erforderliche technische "know-how" und die richtigen Werkzeuge verfügen, können Sie bei Ihrem Händler das offizielle HONDA-Werkstatt-Handbuch erhalten, das Ihnen bei der Durchführung vieler Wartungs- und Reparaturarbeiten behilflich sein wird.

Gute Fahrt und vielen Dank für die Wahl einer HONDA !

- Die nachstehenden Abkürzungen in diesem Handbuch beziehen sich auf folgende Länder:

E	Großbritannien	ED	Europa-Direktvertrieb	AR	Osterreich
G	Deutschland		Griechenland	ND	Nordeuropa
F	Frankreich		Belgien		Norwegen
U	Australien		Portugal		Finnland
SW	Schweiz		Holland		
MX	Mexiko		Spanien		
SD	Schweden	IT	Italien		

- Die technischen Daten können von Land zu Land verschieden sein.

# BEDIENUNG

Seite		Seite	
1	MOTORRAD-SICHERHEIT	39	MERKMALE
1	Regeln für sicheres Fahren		(ohne Bedeutung für den Betrieb)
2	Schutzkleidung	39	Lenkschloß
2	Abänderungen	40	Sitz
3	Zuladung und Zubehör	42	Helmhalter
		43	Gepäckklammern
6	ANORDNUNG DER	44	Dokumententasche
	BEDIENUNGSELEMENTE	44	Staufach
9	Instrumente und Anzeigen	45	Aufbewahrungsfach für U-förmiges Diebstahlsicherungsschloß
		46	Seitendeckel
13	HAUPTTEILE	47	Mittlere Verkleidung
	(Wichtige Information zum Betrieb dieses Motorrads)	48	Untere Verkleidung
13	Federung		
19	Bremsen	49	BEDIENUNG
23	Kupplung	49	Überprüfung vor dem Fahren
25	Kühlmittel	50	Anlassen des Motors
27	Kraftstoff	54	Einfahren
31	Motoröl	55	Fahren
32	Schlauchlose Reifen	56	Fahren in niedriger Meereshöhe
		57	Bremsen
35	WICHTIGE EINZELTEILE	58	Parken
35	Zündschalter	59	Hinweise zur Diebstahlverhütung
36	Bedienungselemente an der rechten Lenkerseite		
37	Bedienungselemente an der linken Lenkerseite		

## **WARTUNG**

Seite

60	WARTUNG
61	Wartungsplan
64	Werkzeugsatz
65	Seriennummern
66	Farbplakette
67	Wartungshinweise
68	Motoröl
72	Zündkerzen
74	Gasdrehgriffbetätigung
75	Leerlaufdrehzahl
76	Antriebskette
82	Antriebsketten-schiebestück
83	Überprüfung der vorder - und Hinterradaufhängung
84	Seitenständer
85	Ausbau der Räder
92	Bremsbelag-Verschleiss
94	Batterie
96	Auswechseln der Sicherungen
99	Ersetzen der Leuchtenbirne

Seite

104	REINIGEN
107	HINWEISE ZUR STILLEGUNG
107	Ausserbetriebnahme
109	Wiederinbetriebnahme
114	TECHNISCHE DATEN



# MOTORRAD-SICHERHEIT

## **▲ WARNUNG**

**\* Motorradfahren erfordert vom Fahrer besondere Vorsichtsmaßnahmen, um die persönliche Sicherheit zu gewährleisten. Machen Sie sich mit diesen Vorsichtsmaßnahmen vertraut, bevor Sie fahren.**

## **REGELN FÜR SICHERES FAHREN**

1. Machen Sie stets eine "Überprüfung vor dem Fahren" (Seite 49), bevor Sie den Motor starten. Sie dient der Unfallverhütung und schützt die Maschine vor Schaden.
2. Viele Unfälle werden von unerfahrenen Fahrern verursacht. Für dieses Motorrad ist der Besitz eines Motorrad-Führerscheins nach erfolgreicher Absolvierung einer Fahrprüfung unerlässlich. Vergewissern Sie sich, daß Sie im Besitz der vorgeschriebenen Fahrerlaubnis sind, bevor Sie losfahren. Lassen Sie NIEMALS eine unerfahrene Person mit Ihrem Motorrad fahren.
3. Viele Unfälle zwischen Autos und Motorrädern ereignen sich deshalb, weil der Autofahrer den Motorradfahrer nicht rechtzeitig sieht.  
Machen Sie sich gut bemerkbar, um unverschuldete Unfälle zu vermeiden:

- Fahren Sie nicht im "toten Winkel" anderer Verkehrsteilnehmer.
  - Tragen Sie auffällig helle oder reflektierende Kleidung.
4. Befolgen Sie die regionalen Gesetze und Bestimmungen.
    - Überhöhte Geschwindigkeit ist ein Faktor bei vielen Unfällen. Befolgen Sie Geschwindigkeitsbegrenzungen und fahren Sie NIEMALS schneller, als es die Umstände zulassen.
    - Zeigen Sie Abbiegen oder Spurwechsel rechtzeitig an. Ihre Größe und Wendigkeit kann andere Verkehrsteilnehmer überraschen.
  5. Lassen Sie sich nicht von anderen Verkehrsteilnehmern überraschen. Seien Sie äußerst wachsam an Kreuzungen, Aus- und Einfahrten von Parkplätzen und an Einmündungen von Seitenstraßen.
  6. Halten Sie während der Fahrt den Lenker mit beiden Händen fest und lassen Sie beide Füße auf den Fußrasten ruhen. Der Beifahrer sollte sich mit beiden Händen am Motorrad oder Fahrer festhalten und beide Füße auf den Soziusfußrasten ruhen lassen.

## SCHUTZKLEIDUNG

1. Die meisten Motorradunfälle mit tödlichem Ausgang sind auf Kopfverletzungen zurückzuführen: Tragen Sie **IMMER** einen Schutzhelm. Neben Stiefeln, Handschuhen und Schutzkleidung sollten Sie auch einen Gesichtsschutz oder eine Schutzbrille tragen. Der Beifahrer benötigt den gleichen Schutz.
2. Die Auspuffanlage wird während des Betriebs sehr heiß und bleibt auch nach dem Abstellen des Motors noch längere Zeit heiß. Berühren Sie daher keinen Teil der heißen Auspuffanlage. Tragen Sie nur solche Kleidung, die Ihre Beine vollständig bedeckt.
3. Tragen Sie keine weiten Kleidungsstücke, die sich in den Bedienungshebeln, den Fußrasten, der Antriebskette oder den Rädern verfangen können.

## ABÄNDERUNGEN

### **▲ WARNUNG**

**\* Abänderungen am Motorrad oder das Entfernen von Original-Teilen können das Fahrzeug unsicher oder gesetzwidrig machen. Beachten Sie alle Bestimmungen der StVZO.**

## ZULADUNG UND ZUBEHÖR

### **▲ WARNUNG**

\* **Beim Anbringen von und beim Fahren mit Zubehörteilen und Gepäck muß äußerste Sorgfalt walten, damit Unfälle vermieden werden. Das Anbringen von Zubehörteilen und Gepäck kann die Fahrstabilität, die Fahrleistungen und das sichere Fahrverhalten eines Motorrades erheblich beeinträchtigen und eine wesentliche Herabsetzung der Fahrgeschwindigkeit erfordern. Fahren Sie ein mit Zubehörteilen ausgerüstetes oder mit Gepäck beladenes Motorrad niemals schneller als 130 km/h. Denken Sie auch daran, daß die oben genannten Beeinträchtigungen der Fahrsicherheit durch das Anbringen von markenfremden Zubehörteilen, durch falsches Beladen, abgefahrene Reifen, schlechten Gesamtzustand des Motorrads, schlechte Straßen oder Wetterverhältnisse usw, noch erheblich verstärkt werden können. Diese Zusammenhänge sollten Sie in jedem Fall bedenken, bevor Sie Ihr Motorrad mit Zubehörteilen ausrüsten oder mit Gepäck beladen.**

### **Beladen**

Das Gesamtgewicht von Fahrer, Beifahrer, Gepäck und Zubehör darf das zulässige Zuladungsgewicht nicht überschreiten:

186 kg ...Außer SW, AR

185 kg ...SW, AR

Das Gepäckgewicht allein sollte nicht überschreiten:

14 kg

1. Halten Sie das Gewicht von Zubehörteilen und Gepäck möglichst gering, und bringen Sie insbesondere Gepäck möglichst nahe dem Fahrzeugschwerpunkt unter. Je weiter der Schwerpunkt der Zuladung vom Fahrzeugschwerpunkt entfernt ist, desto mehr wird die sichere Handhabung des Motorrads beeinträchtigt. Verteilen Sie das Gewicht gleichmäßig auf beide Seiten, um ein Ungleichgewicht zu vermeiden.
2. Reifendruck (Seite 32), Vorderradaufhängung (Seite 13) und Hinterradaufhängung (Seite 16) Zuladungsgewicht und Fahrbedingungen entsprechend einstellen.

3. Handling, Fahrstabilität und Fahrsicherheit können durch lose Gepäckstücke erheblich beeinträchtigt werden. Überprüfen Sie öfters die Verzerrung der Gepäckstücke und die Befestigung von Zubehörteilen.
4. Die HONDA-Verkleidung wurde ausschließlich für dieses Motorrad konstruiert und darf nicht an ein anderes Motorrad montiert werden.
5. Befestigen Sie keine großen oder schweren Gegenstände (wie z. B. einen Schlafsack oder ein Zelt) an Lenker, Teleskopgabel oder Kotflügel, weil dies zu einer erheblichen Beeinträchtigung der Lenkung und zum Verlust der Kontrolle über das Fahrzeug führen kann.

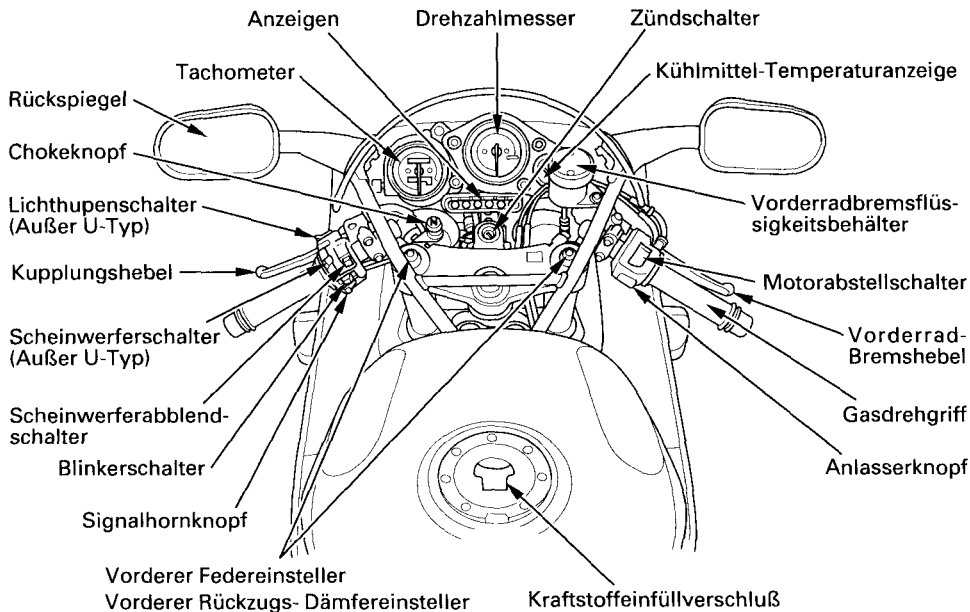
### **Zubehör**

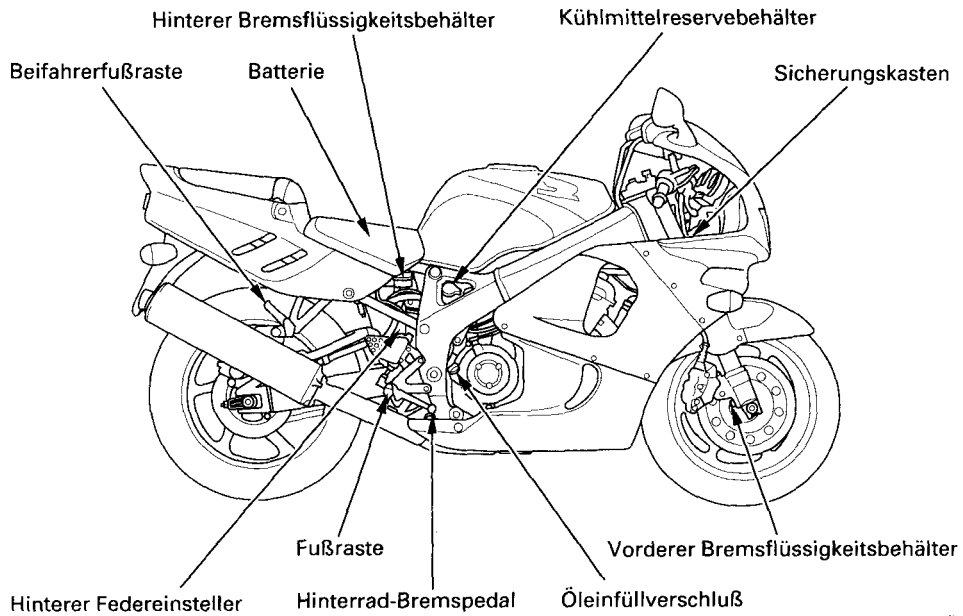
Soweit für Ihr Motorrad HONDA Original-Zubehörteile angeboten werden, sind diese speziell für Ihren Fahrzeugtyp entwickelt und an ihm getestet worden. Ob das Fahrverhalten Ihres Fahrzeugs durch die Anbringung fremden Zubehörs negativ beeinflusst wird, hat HONDA nicht geprüft. Es obliegt deshalb Ihnen, sich über die durch fremdes Zubehör verursachten Sicherheitsrisiken und Unfallgefahren zu informieren. Beachten Sie unbedingt folgende Hinweise:

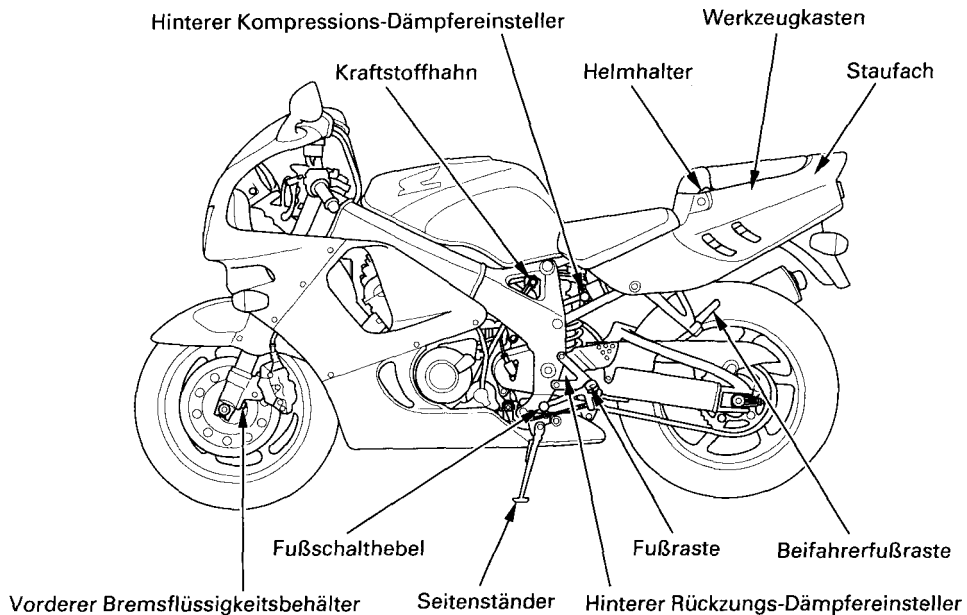
1. Prüfen Sie das Zubehörteil sorgfältig, um sicherzustellen, daß es keine Leuchten verdeckt, die Bodenfreiheit oder die Schräglage in Kurven nicht reduziert, und nicht den Federweg, den Lenkereinschlag oder die Betätigung der Bedienungshebel beeinträchtigt.
2. Verkleidungen und Frontscheiben können bei höheren Geschwindigkeiten aerodynamische Kräfte entwickeln und damit zu unbeherrschbaren Fahrzuständen führen. Gefährlich sind insbesondere Verkleidungen und Frontscheiben, die am Lenksystem (Lenker, Gabelholme etc.) befestigt sind. Montieren Sie keine Verkleidungen, die den Luftstrom zum Motor verringern.

3. Zubehörteile, welche die Sitzposition verändern und damit die Hände oder Füße weiter weg von den Bedienungselementen verlagern, können in Gefahrensituationen die Reaktionszeit verlängern.
4. Montieren Sie keine elektrischen Zubehörteile, welche die Kapazität der elektrischen Anlage des Motorrads überlasten. Das Durchbrennen einer Sicherung kann sich besonders bei Nacht durch Ausfall der Beleuchtung oder in dichtem Verkehr durch plötzliches Ausgehen des Motors gefährlich auswirken.
5. Dieses Motorrad ist nicht für Seitenwagen- oder Anhängerbetrieb konstruiert. Seitenwagen und Anhänger können die Fahrsicherheit erheblich beeinträchtigen.
6. Jede Veränderung am Kühlsystem kann Überhitzung des Motors mit nachfolgenden schweren Motorschäden verursachen. Es dürfen keine Veränderungen an den Kühlluftblechen vorgenommen und keine Zubehörteile montiert werden, die den Kühlluftstrom blockieren oder ihn vom Kühler weglenken.

# ANORDNUNG DER BEDIENUNGSELEMENTE





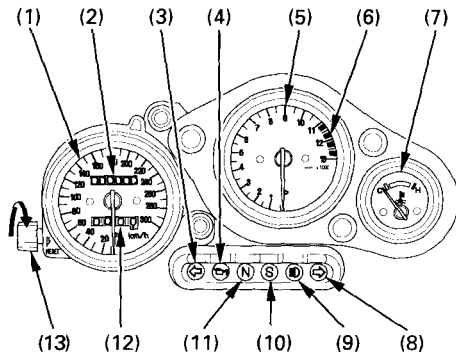




## INSTRUMENTE UND ANZEIGEN

Die Anzeigeluchten sind im Armaturenbrett integriert. Die jeweiligen Funktionen werden in den Tabellen der folgenden Seiten beschrieben.

- (1) Tachometer
- (2) Kilometerzähler
- (3) Linke Blinker-Anzeige
- (4) Anzeige für niedrigen Öldruck
- (5) Drehzahlmesser
- (6) Roter Bereich des Drehzahlmessers
- (7) Kühlmittel-Temperaturanzeiger
- (8) Rechte Blinker-Anzeige
- (9) Fernlicht-Anzeigeluchte
- (10) Seitenständer-Anzeigeluchte
- (11) Leerlauf-Anzeigeluchte
- (12) Tageskilometerzähler
- (13) Tageskilometerzähler Rückstellknopf

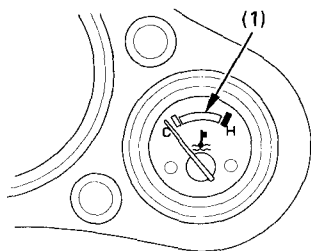


<b>(Bez.-Nr.) Bezeichnung</b>	<b>Funktion</b>
(1) Tachometer	Zeigt die Fahrgeschwindigkeit an.
(2) Kilometerzähler	Zeigt den Gesamtkilometerstand an.
(3) Linke Blinker-Anzeige (grün)	Blinkt bei Betätigung der linken Blinkleuchte.
(4) Anzeige für niedrigen Öldruck (rot)	<p>Leuchtet auf, wenn der Motoröldruck unter den normalen Betriebsbereich abfällt. Die Leuchte muß aufleuchten, wenn bei stehendem Motor die Zündung eingeschaltet wird. Sie sollte erlöschen, sobald der Motor anspringt, mit Ausnahme eines gelegentlichen Aufflackerns bei oder in der Nähe der Leerlaufdrehzahl, wenn der Motor warmgelaufen ist.</p> <p><b>VORSICHT</b></p> <p>* Der Betrieb des Motors mit unzureichendem Öldruck führt zu schwerwiegenden Motorschäden.</p>
(5) Drehzahlmesser	Zeigt die Motordrehzahl an.
(6) Roter Bereich des Drehzahlmessers	<p>Die Zeigernadel des Drehzahlmessers darf auf keinen Fall in den roten Bereich ausschlagen, auch nicht, nachdem der Motor eingefahren ist.</p> <p><b>VORSICHT</b></p> <p>* Den Motor nicht mit einer höheren als der empfohlenen Maximaldrehzahl laufenlassen (roter Bereich des Drehzahlmessers), da dies einen Motorschaden verursachen kann.</p>

<b>(Bez.-Nr.) Bezeichnung</b>	<b>Funktion</b>
(7) Kühlmittel- Temperaturanzeiger	Zeigt die Kühlmitteltemperatur an (siehe Seite 12).
(8) Rechte Blinker-Anzeige (grün)	Blinkt bei Betätigung der rechten Blinkleuchte.
(9) Fernlicht-Anzeigeleuchte (blau)	Leuchtet bei eingeschaltetem Fernlicht auf.
(10) Seitenständer- Anzeigeleuchte (orange)	Leuchtet auf, wenn der Seitenständer ausgeklappt wird. Vor dem Parken sicherstellen, daß der Seitenständer vollständig ausgeklappt ist. Die Leuchte zeigt nur an, daß die Seitenständer-Zündstromabschaltung (Seite 50) aktiviert ist.
(11) Leerlauf-Anzeigeleuchte (grün)	Leuchtet auf, wenn das Getriebe in den Leerlauf geschaltet ist.
(12) Tageskilometerzähler	Zeigt die pro Fahrt Zurückgelegten Kilometer an.
(13) Tageskilometerzähler Rückstellknopf	Stellt den Tageskilometerzähler auf Null (0) zurück. Knopf in die gezeigte Richtung drehen.

### Kühlmittel-Temperaturanzeiger

Wenn sich die Zeigernadel über die C-Marke (kalt) hebt, ist der Motor zum Betrieb ausreichend warm. Der normale Betriebstemperaturbereich liegt im Abschnitt zwischen den Marken H und C. Falls die Zeigernadel die H-Marke (heiß) erreicht, den Motor abstellen und den Kühlmittelstand im Ausgleichsbehälter überprüfen. Die Anweisungen auf den Seiten 25 und 26 lesen, und das Motorrad nicht eher fahren, bis die Störung behoben worden ist.



(1) Kühlmittel-Temperaturanzeiger

### VORSICHT

\* Das Überschreiten der maximalen Betriebstemperatur kann ernsthafte Beschädigung des Motors zur Folge haben.

## HAUPTTEILE (Wichtige Information zum Betrieb dieses Motorrads)

### ▲ WARNUNG

- \* Eine Mißachtung der "Überprüfung vor dem Fahren" (Seite 49) kann zu schwerer Körperverletzung oder Beschädigung des Fahrzeugs führen.

### FEDERUNG

#### Vorderradfederung

##### Federvorspannung:

Die Federvorspannung durch Drehen des Vorspannungseinstellers (1) mit dem mitgelieferten 10 × 14-mm-Schlüssel des Werkzeugsatzes einstellen.

##### Zur Verminderung (SOFT) :

Bei geringer Last und guten Straßenbedingungen den Einsteller im Gegenuhrzeigersinn auf "SOFT" drehen.

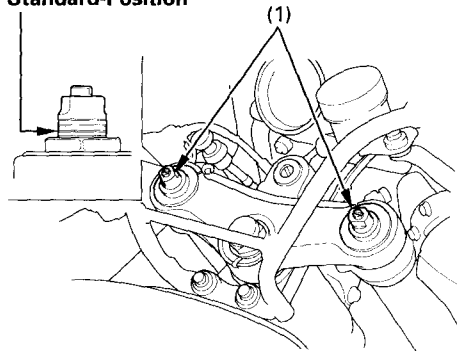
##### Zur Erhöhung (HARD) :

Für eine härtere Federung und schlechte Straßenbedingungen den Einsteller im Uhrzeigersinn auf "HARD" drehen.

##### Standard-Position:

Zum Rückstellen auf die Standard-Position die Einsteller drehen, bis die dritte Nut von oben auf die oberfläche der Gabeldeckel ausgerichtet ist.

##### Standard-Position



(1) Vorspannungseinstellers

### Rückpralldämpfer:

Zur Verminderung (SOFT) :

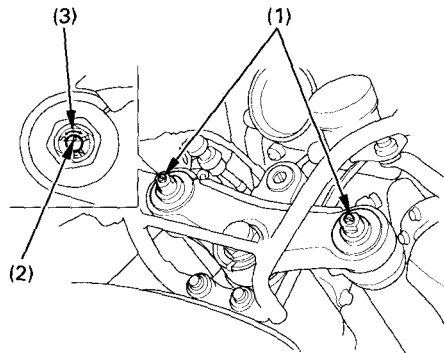
Bei geringer Last und guten Straßenbedingungen den Einsteller im Gegenuhrzeigersinn auf "SOFT" drehen.

Zur Erhöhung (HARD) :

Für eine härtere Federung und schlechte Straßenbedingungen den Einsteller im Uhrzeigersinn auf "HARD" drehen.

Die Standardposition des Einstellers erhält man wie nachfolgend beschrieben :

1. Den Dämpfungseinsteller (1) bis zum Anschlag im Uhrzeigersinn drehen. Dies ist die härteste Einstellung.
2. Der Einsteller ist auf die Standard-Position eingestellt, wenn er um etwa 1 Drehung im Gegenuhrzeigersinn gedreht wird, so daß seine Körnermarke (2) auf die Bezugsmarke (3) ausgerichtet ist.



(1) Dämpfungseinsteller  
(2) Anknörnungen

(3) Bezugsmarke

### Kompressionsdämpfung:

Zur Verminderung (SOFT) :

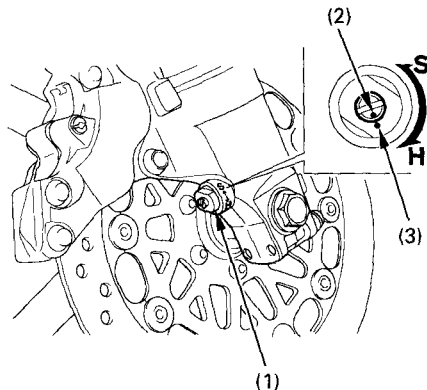
Bei geringer Last und guten Straßenbedingungen den Einsteller im Gegenuhrzeigersinn auf "SOFT" drehen.

Zur Erhöhung (HARD) :

Für eine härtere Federung und schlechte Straßenbedingungen den Einsteller im Uhrzeigersinn auf "HARD" drehen.

Die Standardposition des Einstellers erhält man wie nachfolgend beschrieben :

1. Den Dämpfungseinsteller (1) bis zum Anschlag im Uhrzeigersinn drehen. Dies ist die härteste Einstellung.
2. Der Einsteller ist auf die Standard-Position eingestellt, wenn er um etwa 1 Drehung im Gegenuhrzeigersinn gedreht wird, so daß seine Körnermarke (2) auf die Bezugskörnermarke (3) ausgerichtet ist.



- (1) Dämpfungseinsteller      (3) Bezugsmarke  
(2) Ankerungen

## **Hinterradfederung**

### Kompressionsdämpfung:

#### Zur Verminderung (SOFT) :

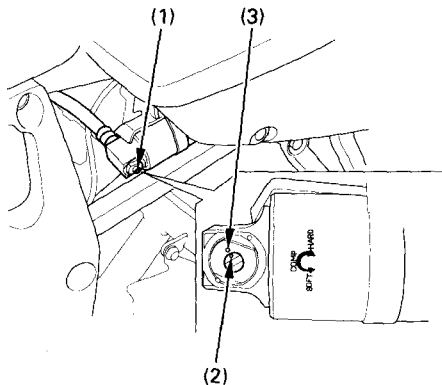
Bei geringer Last und guten Straßenbedingungen den Einsteller im Gegenuhrzeigersinn auf "SOFT" drehen.

#### Zur Erhöhung (HARD) :

Für eine härtere Federung und schlechte Straßenbedingungen den Einsteller im Uhrzeigersinn auf "HARD" drehen.

Die Standardposition des Einstellers erhält man wie nachfolgend beschrieben :

1. Den Dämpfungseinsteller (1) bis zum Anschlag im Uhrzeigersinn drehen. Dies ist die härteste Einstellung.
2. Der Einsteller ist auf die Standard-Position eingestellt, wenn er um etwa 1 Drehung im Gegenuhrzeigersinn gedreht wird, so daß seine Körnermarke (2) auf die Bezugskörnermarke (3) ausgerichtet ist.



- (1) Dämpfungseinsteller
- (2) Anknörnungen
- (3) Bezugskörnermarke



### Rückpralldämpfer:

Zur Verminderung (SOFT) :

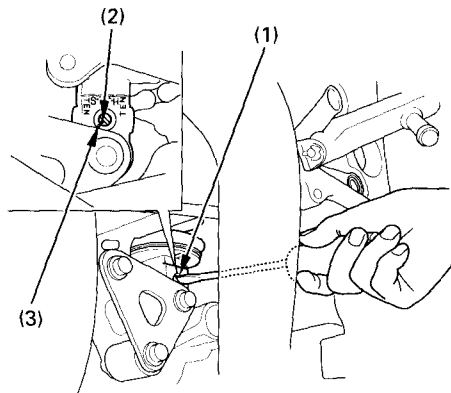
Bei geringer Last und guten Straßenbedingungen den Einsteller im Gegenuhrzeigersinn auf "SOFT" drehen.

Zur Erhöhung (HARD) :

Für eine härtere Federung und schlechte Straßenbedingungen den Einsteller im Uhrzeigersinn auf "HARD" drehen.

Die Standardposition des Einstellers erhält man wie nachfolgend beschrieben :

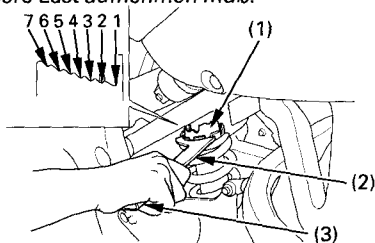
1. Den Dämpfungseinsteller (1) bis zum Anschlag im Uhrzeigersinn drehen. Dies ist die härteste Einstellung.
2. Der Einsteller ist auf die Standard-Position eingestellt, wenn er um etwa 1 Drehung im Gegenuhrzeigersinn gedreht wird, so daß seine Körnermarke (2) auf die Bezugskörnermarke (3) ausgerichtet ist.



- (1) Dämpfungseinsteller  
(2) Ankornermarken  
(3) Bezugskörnermarke

### Federvorspannung:

Der Einsteller für die Federvorspannung (1) hat 7 Federvorspannungspositionen für unterschiedliche Last - oder Fahrbedingungen. Den hinteren Stoßdämpfer mit Hakenschlüssel (2) und Verlängerungsstange (3) einstellen. Einstellposition 1 ist für geringe Last und glatte Fahrbahn bestimmt. Position 2 ist die Normaleinstellung. In den Positionen 3 und 7 wird durch die höhere Federvorspannung für eine härtere Hinterradfederung gesorgt; daher eignen sich diese Einstellungen dann, wenn das Motorrad eine größere Last aufnehmen muß.



- (1) Federvorspannung      (3) Verlängerungsstange  
(2) Hakenschlüssel

### **▲ WARNUNG**

- \* Die Dämpfer-Einheit des Hinterrad-Stoßdämpfers ist mit hochverdichtetem Stickstoffgas gefüllt. Die in diesem Fahrerhandbuch enthaltenen Anweisungen beschränken sich auf eine Einstellung des Federbeins. Versuchen Sie nicht, die Dämpfer-Einheit zu zerlegen, abzutrennen oder zu warten; es könnte dabei zu einer Explosion mit daraus resultierenden schweren Verletzungen kommen.
- \* Auch Durchschlag oder Feuereinwirkung können zu einer Explosion mit folgenreichen Verletzungen führen.
- \* Überlassen Sie die Wartung oder sichere Beseitigung Ihrem HONDA- Vertragshändler oder einem qualifizierten Mechaniker, der mit den geeigneten Werkzeugen und Sicherheitseinrichtungen ausgerüstet ist und über das offizielle HONDA- Werkstatt-handbuch verfügt.

## BREMSEN

Vorder- und Hinterrad dieses Motorrads sind mit hydraulischen Scheibenbremsen bestückt. Mit zunehmendem Verschleiß der Bremsbeläge sinkt der Bremsflüssigkeitsstand.

Einstellungen erübrigen sich, nur Bremsflüssigkeitsstand und Bremsbelagverschleiß müssen regelmäßig überprüft werden. Das System muß häufig inspiziert werden, um sicherzustellen, daß keine Bremsflüssigkeit ausläuft. Falls das Spiel des Bremshebels oder Bremspedals übermäßig groß wird, die Bremsbeläge aber noch nicht über die Verschleißgrenze (Seite 92) hinaus abgenutzt sind, befindet sich wahrscheinlich Luft im Bremssystem, die herausgelassen werden muß. Lassen Sie das Entlüften von Ihrem HONDA-Vertragshändler ausführen.

## Vorderradbremse

Bremsflüssigkeitsstand im vorderen Behälter:

### **▲WARNUNG**

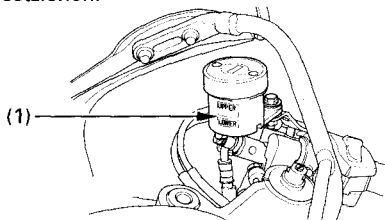
- \* **Bremsflüssigkeit kann Hautreizung verursachen. Nicht mit Haut oder Augen in Berührung bringen. Im Falle einer Berührung mit Bremsflüssigkeit gründlich mit Wasser abwaschen und einen Arzt rufen, falls die Augen betroffen sind.**
- \* **AUSSER REICHWEITE VON KINDERN HALTEN.**

### **VORSICHT**

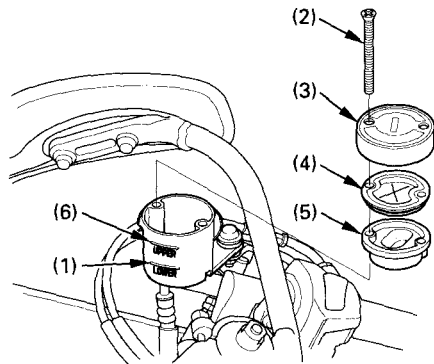
- \* **Bremsflüssigkeit mit Vorsicht behandeln, weil sie Kunststoff und Lack angreift.**
- \* **Beim Nachfüllen von Bremsflüssigkeit ist darauf zu achten, daß sich der Behälter in waagerechter Lage befindet, bevor der Deckel entfernt wird, weil sonst Bremsflüssigkeit ausläuft.**
- \* **Nur Bremsflüssigkeit DOT 4 aus einem verschlossenen Behälter verwenden.**
- \* **Sorgfältig darauf achten, daß keine Verunreinigungen wie Schmutz oder Wasser in den Bremsflüssigkeitsbehälter gelangen.**

Das Motorrad aufrecht halten und prüfen, ob der Flüssigkeitsstand oberhalb der unteren Pegelmarke (1) liegt.

Wenn der Stand der Bremsflüssigkeit bis in die Nähe der unteren Markierung (1) im Reservoir abgesunken ist, muß Bremsflüssigkeit nachgefüllt werden. Die Schrauben (2) herausdrehen, den Reservoirdeckel (3), die Membranplatte (4) und die Membran (5) abnehmen. Das Reservoir mit Bremsflüssigkeit des Typs DOT 4 aus einem verschlossenen Behälter bis zur oberen Markierung (6) auffüllen. Die Membran, Membranplatte und den Deckel wieder anbringen. Die Schrauben dann wieder gut festziehen.



(1) Untere Markierung (LOWER)



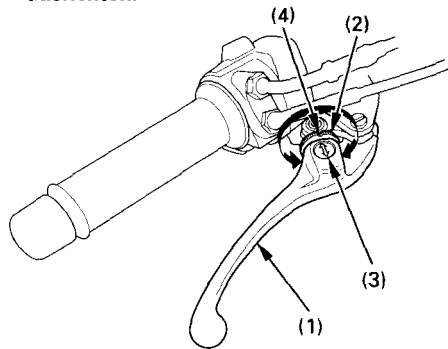
- |                     |                              |
|---------------------|------------------------------|
| (2) Schrauben       | (5) Membran                  |
| (3) Reservoirdeckel | (6) Obere Markierung (UPPER) |
| (4) Membranplatte   |                              |

### Vorderrad-Bremshebel:

Der Abstand zwischen dem Ende des Bremshebels (1) und dem Griff kann durch Drehen des Einstellers (2) eingestellt werden.

#### **VORSICHT**

- \* Den Pfeil (3) des Bremshebels auf die Bezugsmarke (4) des Einstellers ausrichten.



(1) Bremshebels

(3) Pfeil

(2) Einsteller

(4) Bezugsmarke

### Hinterradbremse

Bremsflüssigkeitsstand im hinteren Behälter:

#### **▲ WARNUNG**

- \* **Bremsflüssigkeit kann Hautreizung verursachen. Nicht mit Haut oder Augen in Berührung bringen. Im Falle einer Berührung mit Bremsflüssigkeit gründlich mit Wasser abwaschen und einen Arzt rufen, falls die Augen betroffen sind.**
- \* **AUSSER REICHWEITE VON KINDERN HALTEN.**

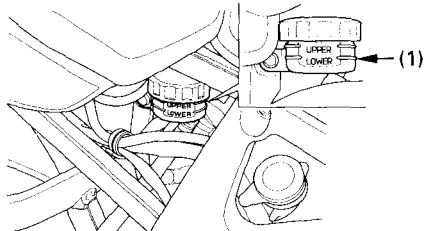
#### **VORSICHT**

- \* **Bremsflüssigkeit mit Vorsicht behandeln, weil sie Kunststoff und Lack angreift.**
- \* **Beim Nachfüllen von Bremsflüssigkeit ist darauf zu achten, daß sich der Behälter in waagerechter Lage befindet, bevor der Deckel entfernt wird, weil sonst Bremsflüssigkeit ausläuft.**
- \* **Nur Bremsflüssigkeit DOT 4 aus einem verschlossenen Behälter verwenden.**
- \* **Sorgfältig darauf achten, daß keine Verunreinigungen wie Schmutz oder Wasser in den Bremsflüssigkeitsbehälter gelangen.**

Das Motorrad aufrecht halten und prüfen, ob der Flüssigkeitsstand oberhalb der unteren Pegelmarke (1) liegt.

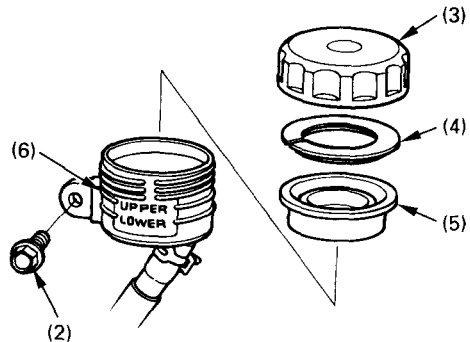
Wenn der Stand der Bremsflüssigkeit bis in die Nähe der unteren Markierung (1) im Reservoir abgesunken ist, muß Bremsflüssigkeit nachgefüllt werden. Die Schraube (2) losdrehen.

Den Reservoirdeckel (3), die Membranplatte (4) und die Membran (5) abnehmen. Das Reservoir mit Bremsflüssigkeit des Typs DOT 4 aus einem verschlossenen Behälter bis zur oberen Markierung (6) auffüllen. Die Membran, die Membranplatte sowie den Deckel und die Schraube wieder einbauen.



(1) Untere Markierung (LOWER)

22



(2) Schraube

(3) Reservoirdeckel

(4) Membranplatte

(5) Membran

(6) Obere Markierung (UPPER)

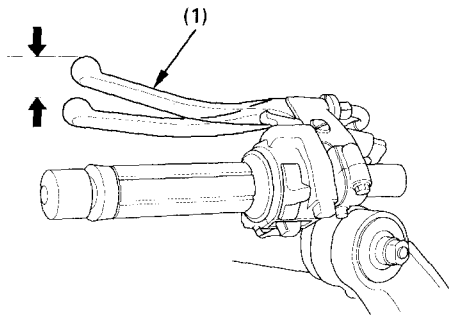
#### Sonstige Überprüfungen:

Sichergehen, daß keine Bremsflüssigkeit ausläuft. Die Schläuche und Anschlüsse auf Abnutzung oder Risse untersuchen.

## KUPPLUNG

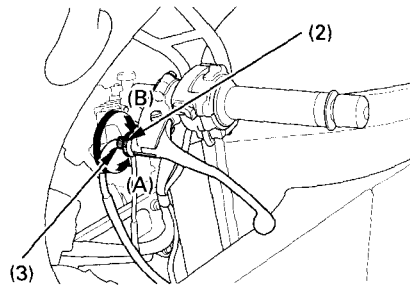
Eine Einstellung der Kupplung kann erforderlich werden, falls der Motor beim Einlegen eines Ganges ausgeht, das Getriebe schwer schaltbar ist oder die Kupplung rutscht. Kleinere Einstellungen können mit Hilfe der Kupplungszug-Einstellvorrichtung (3) am Kupplungshebel (1) vorgenommen werden.

Das normale Kupplungshebelspiel beträgt:  
10 – 20 mm



(1) Kupplungshebel

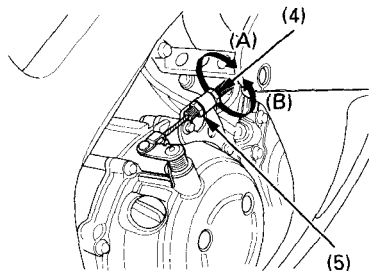
1. Die Gegenmutter (2) lösen und die Einstellvorrichtung (3) drehen. Anschließend die Gegenmutter (2) wieder anziehen und die Einstellung überprüfen.
2. Falls die Einstellvorrichtung fast ganz herausgedreht ist oder eine korrekte Einstellung des Spiels nicht möglich ist, die Gegenmutter (2) lösen und die Einstellvorrichtung (3) ganz hineindrehen. Anschließend die Gegenmutter (2) wieder anziehen.



(2) Gegenmutter  
(3) Kupplungszug-Einstellvorrichtung

(A) Spiel vergrößern  
(B) Spiel verringern

3. Die Gegenmutter (5) am unteren Ende des Seilzugs lösen. Zum Einstellen des Spiels die Einstellmutter (4) drehen. Anschließend die Gegenmutter (5) wieder anziehen und die Einstellung überprüfen.
4. Den Motor anlassen, den Kupplungshebel ziehen und einen Gang einlegen. Sicherstellen, daß der Motor nicht ab stirbt und das Getriebe leicht schaltbar ist. Den Kupplungshebel allmählich loslassen und den Gasdrehgriff aufdrehen. Das Motorrad sollte weich anfahren und zügig beschleunigen.



- |                    |                      |
|--------------------|----------------------|
| (4) Einstellmutter | (A) Spiel vergrößern |
| (5) Gegenmutter    | (B) Spiel verringern |

#### ZUR BEACHTUNG:

- \* Falls eine korrekte Einstellung nicht möglich ist oder die Kupplung nicht einwandfrei funktioniert, wenden Sie sich an Ihren HONDA-Vertragshändler.

#### Sonstige Überprüfungen:

Den Kupplungszug auf Knicke oder Verschleiß untersuchen, wodurch Schwergängigkeit oder Ausfall der Kupplung verursacht werden könnten. Den Kupplungszug mit einem handelsüblichen Seilzugschmiermittel schmieren, um vorzeitigen Verschleiß und Korrosion zu verhüten.



## KÜHLMITTEL

### Kühlmittlempfehlung

Der Besitzer muß die richtige Kühlmittelmischung aufrechterhalten, um Gefrieren, Überhitzung und Korrosion zu vermeiden. Verwenden Sie nur hochwertiges Äthylen-Glykol-Frostschutzmittel mit korrosionshemmenden Stoffen, das ausdrücklich für die Verwendung in Aluminiummotoren empfohlen wird (SIEHE AUFSCHRIFT AUF FROSTSCHUTZMITTEL-BEHÄLTER).

### VORSICHT

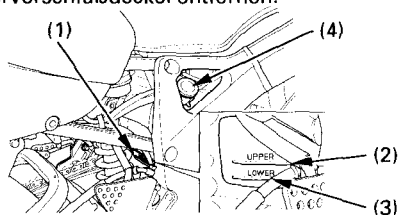
- \* **Verwenden Sie nur mineralarmes Trinkwasser oder destilliertes Wasser für das Kühlmittel. Wasser mit hohem Mineral- oder Salzgehalt kann dem Aluminiummotor Schaden zufügen.**

Dieses Motorrad wird im Werk mit einer Mischung von 50% Frostschutzmittel und 50% Wasser versehen. Dieses Mischungsverhältnis ist für die meisten Betriebstemperaturen zu empfehlen und bietet guten Korrosionsschutz. Eine höhere Konzentration von Frostschutzmittel setzt den Wirkungsgrad des Kühlsystems herab und ist nur dann zu empfehlen, wenn zusätzlicher Frostschutz benötigt wird. Eine Mischung mit weniger als 40% Frostschutzmittelanteil bietet keinen ausreichenden Korrosionsschutz. Überprüfen Sie das Kühlsystem bei Frostwetter häufig, und erhöhen Sie gegebenenfalls die Frostschutzmittelkonzentration (bis maximal 60% Frostschutzmittel).

## Inspektion

Der Ausgleichsbehälter befindet sich hinter dem Rahmen.

Kontrollieren Sie den Kühlmittelstand im Ausgleichsbehälter (1) bei normaler Betriebstemperatur des Motors und aufrecht stehendem Motorrad. Falls der Kühlmittelstand unter der unteren Pegelmarke LOWER (3) liegt, den Deckel (4) des Ausgleichsbehälters abschrauben und Kühlmittelgemisch bis zur oberen Pegelmarke UPPER (2) nachfüllen. Nicht den Kühlerschlußdeckel entfernen.



- (1) Ausgleichsbehälter
- (2) Obere Pegelmarke (UPPER)
- (3) Untere Pegelmarke (LOWER)
- (4) Ausgleichsbehälterdeckel

26

## ▲ WARNUNG

- \* Entfernen Sie den Kühlerschlußdeckel nicht bei heißem Motor. Das Kühlmittel steht unter Druck, und es kann zu schwerwiegenden Verbrühungen kommen.
- \* Halten Sie Ihre Hände und Kleidungsstücke vom Lüfter fern, da er automatisch anläuft.

Falls der Ausgleichsbehälter leer ist oder übermäßiger Kühlmittelverlust festgestellt wird, untersuchen Sie das Kühlsystem auf Undichtigkeit und lassen Sie es von Ihrem Honda-Vertragshändler reparieren.

## KRAFTSTOFF

### Manueller Kraftstoffhahn

Der manuelle Kraftstoffhahn (1) befindet sich links unter dem Kraftstofftank. Drehen Sie den Kraftstoffhahn bei normalem Betrieb auf ON (Auf) oder auf RES (Reserve), wenn der Hauptkraftstoffvorrat zur Neige geht. Die Stellung OFF (Zu) ist nur dann zu benutzen, wenn das Motorrad längere Zeit nicht benutzt werden soll, oder wenn Arbeiten am Kraftstoffsystem notwendig sind.

### Automatische Zufuhr/ Abschaltung des Kraftstoffs

In der Stellung ON (oder RES) des Kraftstoffhahns fließt Kraftstoff nur dann zu den Vergasern, wenn der Motor gestartet wird oder bereits läuft. Eine Membran sperrt die Kraftstoffzufuhr, wenn der Motor abgestellt wird.

### Reservekraftstoff

Wenn der Hauptvorrat verbraucht ist, den Kraftstoffhahn auf RES drehen. Tanken Sie nach dem Umschalten auf RES so bald wie möglich auf. Nach dem Auftanken ist der Hahn wieder auf ON zurückzustellen.

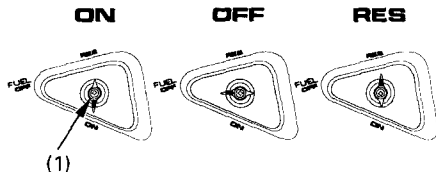
Der Reservekraftstoffvorrat beträgt:  
3,0 l

### ▲ WARNUNG

- \* **Üben Sie das Umschalten des Kraftstoffhahns während der Fahrt, um plötzliches Ausgehen des Motors infolge Kraftstoffmangels zu vermeiden.**

### ZUR BEACHTUNG:

- \* Nach jedem Tanken sicherstellen, daß der Kraftstoffhahn auf "ON" gestellt ist. Wenn der Kraftstoffhahn in der Position "RES" belassen wird, kann der ganze Kraftstoff aufgebraucht werden, ohne daß noch eine Reserve zur Verfügung steht.



(1) Kraftstoffhahn

### **Kraftstofftank**

Das Fassungsvermögen des Kraftstofftanks einschließlich Reservevorrat beträgt:

18,0 l

Zum Öffnen des Kraftstoffeinfüllverschlusses (1) den Zündschlüssel (2) einstecken und im Uhrzeigersinn drehen. Der Verschluß ist gelenkig angeschlossen und geht hoch.

Den Kraftstoffeinfüllverschluß zum Schließen nach dem Tanken in den Einfüllstutzen drücken, so daß er einschnappt und arretiert bleibt. Den Schlüssel abziehen.

### **Außer für MEXIKO, AUSTRALIEN:**

Bleifreies oder bleiarms Benzin mit einer Forschungsoktanzahl von 91 oder höher verwenden. Honda empfiehlt den Gebrauch bleifreien Benzins, da es im Vergleich zu verbleitem Benzin weniger Verbrennungsraum- und Zündkerzenablagerungen verursacht und die Lebensdauer von Auspuffanlagenbauteilen verlängert.

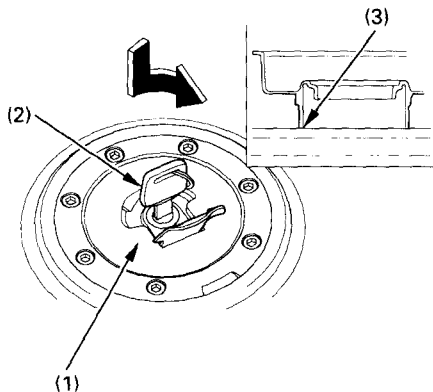
### **Nur für MEXIKO**

Entweder bleifreies oder bleiarms Benzin mit einer Research/Oktanzahl von 88 oder höher verwenden.

Es wird empfohlen, Super-Kraftstoff zu verwenden.

### **VORSICHT**

**\* Falls der Motor bei normaler Belastung und gleichbleibender Drehzahl "klopft" oder "klingelt", wechseln Sie die Benzinmarke. Falls das Klopfen oder Klingeln nicht verschwindet, wenden Sie sich an einen HONDA-Vertragshändler. Nichtbeachtung wird als Fehlgebrauch angesehen, und durch Fehlgebrauch verursachte Schäden sind nicht von der HONDA-Garantie gedeckt.**



- (1) Kraftstofftankdeckel
- (2) Zündschlüssel
- (3) Einfüllstutzen

## **▲ WARNUNG**

- \* Benzin ist äußerst feuergefährlich und unter gewissen Bedingungen explosiv. Das Nachfüllen des Kraftstoffs muß in einem gut belüfteten Raum sowie bei abgestelltem Motor erfolgen. Beim Auftanken bzw. im Kraftstoff-Aufbewahrungsbereich nicht rauchen; offene Flammen und Funken sind fernzuhalten.
- \* Den Kraftstofftank nicht überfüllen (es darf kein Benzin im Einfüllstutzen (3) stehen). Nach dem Auftanken sicherstellen, daß der Tankdeckel fest verschlossen ist.
- \* Beim Auftanken keinen Kraftstoff verschütten. Verschütteter Kraftstoff oder Kraftstoffdämpfe können sich entzünden. Falls Kraftstoff verschüttet wird, vergewissern Sie sich vor dem Anlassen des Motors, daß die Stelle trocken ist.
- \* Wiederholten oder längeren Hautkontakt und Einatmen von Benzindämpfen vermeiden. AUSSER REICHWEITE VON KINDERN AUFBEWAHREN.

### **Alkoholhaltiges Benzin**

Falls Sie sich für die Verwendung von alkoholhaltigem Benzin (Gasohol) entscheiden, vergewissern Sie sich, daß seine Oktanzahl mindestens so hoch ist wie die für bleifreies Benzin empfohlene. Es gibt zwei Arten von "Gasohol": die eine enthält Äthanol, und die andere Methanol. Verwenden Sie kein Gasohol, das mehr als 10% Äthanol enthält. Verwenden Sie kein Benzin mit beigemischtem Methanol (Methyl oder Holzalkohol), das nicht auch Lösungs- und Rostschutzmittel für Methanol enthält. Verwenden Sie auf keinen Fall Benzin mit mehr als 5% Methanolanteil, selbst wenn es Lösungs- und Rostschutzmittel enthält.

### **ZUR BEACHTUNG:**

- \* Beschädigungen des Kraftstoffsystems oder Betriebsstörungen des Motors, die auf die Verwendung solcher Kraftstoffe zurückzuführen sind, sind nicht durch die HONDA-Garantie gedeckt. HONDA kann die Verwendung von Kraftstoffen mit Methanolanteil nicht empfehlen, da die Gutachten über ihre Eignung noch unvollständig sind.
- \* Bevor Sie Kraftstoff von einer unbekanntem Tankstelle kaufen, versuchen sie herauszufinden, ob der Kraftstoff Alkohol enthält, und wenn ja, von welcher Art und wieviel. Falls Sie nach dem Gebrauch von alkoholhaltigem Benzin irgendwelche unerwünschten Begleiterscheinungen feststellen, verwenden Sie Benzin, von dem Sie wissen, daß es keinen Alkohol enthält.

## MOTORÖL

### Motorölstand-Kontrolle

Den Motorölstand täglich vor Fahrtantritt überprüfen.

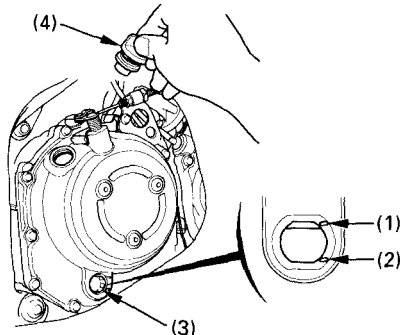
Der Ölstand muß zwischen der oberen (1) und der unteren (2) Pegelmarke im Kontrollfenster (3) liegen.

1. Den Motor anlassen und ein paar Minuten mit Leerlaufdrehzahl laufen lassen. Sicherstellen, daß die Anzeige für niedrigen Öldruck ausgeht. Falls sie erleuchtet bleibt, sofort den Motor abstellen.
2. Den Motor abstellen und das Motorrad auf festem, ebenem Boden aufrecht stellen.
3. Nach einigen Minuten überprüfen, ob sich der Ölstand zwischen der oberen (1) und unteren (2) Pegelmarke im Kontrollfenster (3) stabilisiert.
4. Erforderlichenfalls den Öleinfüllverschluß (4) entfernen und das vorgeschriebene Öl (siehe Seite 68) bis zur oberen Pegelmarke nachfüllen. Nicht überfüllen.

5. Die Öleinfüllverschluß wieder anbringen. Auf Ölundichtigkeit überprüfen.

### VORSICHT

- \* **Der Betrieb des Motors mit einer unzureichenden Ölmenge kann zu schweren Motorschäden führen.**



- (1) Obere Pegelmarke
- (2) Untere Pegelmarke
- (3) Kontrollfenster
- (4) Öleinfüllverschluß

## SCHLAUCHLOSE REIFEN

Dieses Motorrad ist mit schlauchlosen Reifen und den dazugehörigen Ventilen und Radfelgen ausgestattet. Verwenden Sie nur mit "TUBELESS" gekennzeichnete schlauchlose Reifen und schlauchlose Ventile auf Felgen mit der Aufschrift "TUBELESS TIRE APPLICABLE" (geeignet für schlauchlose Reifen).

Richtiger Reifenfülldruck gewährleistet maximale Fahrstabilität, optimalen Fahrkomfort und maximale Lebensdauer der Reifen.

Der Reifenfülldruck ist regelmäßig zu kontrollieren und gegebenenfalls zu korrigieren.

### ZUR BEACHTUNG:

- \* Der Reifendruck ist bei "kalten" Reifen vor dem Fahren zu kontrollieren.
- \* *Schlauchlose Reifen besitzen bis zu einem gewissen Grad selbstdichtende Eigenschaften im Falle kleiner Undichtigkeiten, und die Luft entweicht oft nur sehr langsam. Die Reifen müssen daher sehr genau auf Einstiche untersucht werden, besonders wenn sie einen Druckabfall feststellen.*

Reifengröße	
Vorn	130/70 ZR16
Hinten	180/55 ZR17
Reifendruck (kalt), kPa (kgf/cm <sup>2</sup> )	Fahrer allein
	Vorn 250 (2,50)
	Hinten 290 (2,90)
	Mit Sozius
Vorn 250 (2,50)	
Hinten 290 (2,90)	
Reifen marke NUR SCHLAUCHLOS	BRIDGESTONE
	Vorn BT-56F RADIAL
	Hinten BT-56R RADIAL G
	MICHELIN
Vorn TX15	
Hinten TX25	



Untersuchen Sie die Reifen auf Einschnitte, eingefahrene Nägel oder sonstige spitze Gegenstände. Überprüfen Sie die Felgen auf Dellen oder Verformung. Falls Sie irgendwelche Schäden feststellen, lassen Sie Reparaturen, Auswechseln und Auswuchten von Ihrem HONDA-Vertragshändler ausführen.

### **▲ WARNUNG**

- \* **Falscher Reifendruck verursacht abnormen Profilverschleiß und stellt eine Gefahr für die Fahrsicherheit dar. Zu geringer Reifendruck kann dazu führen, daß der Reifen auf der Felge rutscht oder sich gar von ihr ablöst, was zum Verlust der Kontrolle über das Fahrzeug führen kann.**
- \* **Fahren mit übermäßig verschlissenen Reifen ist gefährlich und wirkt sich negativ auf Traktion und Fahrverhalten aus.**

Erneuern Sie die Reifen, bevor die Profiltiefe in Reifenmitte folgende Verschleißgrenzen erreicht:

Minimale Profiltiefe	
Vorn :	1,5 mm
Hinten :	2,0 mm

**ZUR BEACHTUNG:** <Für Deutschland>

- \* In Deutschland ist die Benutzung von Reifen mit einer Profiltiefe von weniger als 1,6 mm gesetzlich verboten.

### Reparatur/Auswechseln:

Wenden Sie sich an Ihren HONDA-Vertragshändler.

#### **▲ WARNUNG**

- \* Die Verwendung anderer als der hier aufgelisteten Reifen kann sich negativ auf die Handhabung auswirken.
- \* Montieren Sie keine Schlauchreifen auf Felgen für schlauchlose Reifen. Es kann vorkommen, daß die Reifenwülste nicht richtig sitzen und auf der Felge rutschen, was ein Entweichen der Luft zur Folge haben kann, wodurch das Fahrzeug unkontrollierbar wird.
- \* Verwenden Sie keinen Schlauch in einem schlauchlosen Reifen. Übermäßige Wärmebildung durch Reibung kann den Schlauch zum Platzen bringen, was zu schlagartigem Entweichen der Luft führt, so daß das Fahrzeug unkontrollierbar wird.
- \* Ein Reifen ist zu erneuern, wenn die Seitenwand punktiert oder beschädigt ist. Die Durchbiegung der Seitenwand kann eine Reparatur zunichte machen und Entweichen der Luft verursachen, so daß das Fahrzeug unkontrollierbar wird.

#### **▲ WARNUNG**

- \* Richtige Radauswuchtung ist notwendig für sicheres, stabiles Fahrverhalten des Motorrads. Die Auswuchtgewichte an den Rädern dürfen nicht entfernt oder verändert werden. Sollte ein erneutes Auswuchten der Räder erforderlich sein, so wenden Sie sich an Ihren HONDA-Vertragshändler. Auswuchten ist erforderlich nach jeder Reifenreparatur und nach jedem Reifenwechsel.
- \* Um das Aufbrechen von reparierten Stellen und Entweichen der Luft, was zum Verlust der Kontrolle über das Fahrzeug führen kann, zu vermeiden, darf während der ersten 24 Stunden nach einer Reifenreparatur nicht schneller als 80 km/h und danach nicht schneller als 130 km/h gefahren werden.

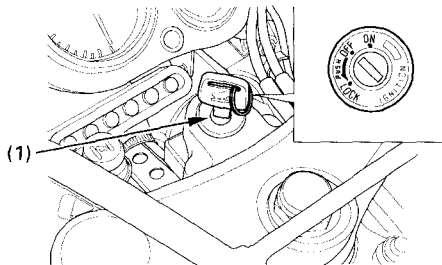
#### **VORSICHT**

- \* Nicht versuchen, schlauchlose Reifen ohne Spezialwerkzeuge und Felgenschützer zu entfernen, weil sonst die Felgendichtungsfläche beschädigt oder die Felge verformt werden können.

## WICHTIGE EINZELTEILE

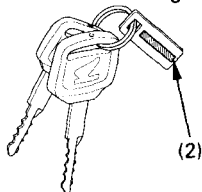
### ZÜNDSCHALTER

Der Zündschalter (1) befindet sich unterhalb des Anzeigelampenfeldes.



(1) Zündschalter

Mit Ihrem Schlüssel sollten Sie auch ein Schlüsselnummernschild erhalten haben. Falls Sie einen Schlüssel verloren haben, benötigen Sie diese Schlüsselnummer, um einen Ersatzschlüssel zu bekommen. Bewahren Sie dieses Schild gut auf.






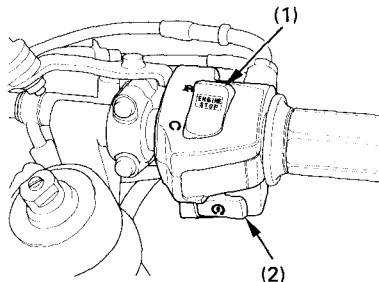
(2) Schlüsselnummerplakette

Schlüsselstellung	Funktion	Schlüsselfreigabe
LOCK (Lenkschloß)	Die Lenkung ist blockiert. Motor und Beleuchtung sind außer Betrieb.	Schlüssel kann abgezogen werden.
OFF (Aus)	Motor und Beleuchtung sind außer Betrieb.	Schlüssel kann abgezogen werden.
ON (Ein)	Motor und Beleuchtung sind betriebsbereit.	Schlüssel kann nicht abgezogen werden.

## BEDIENUNGSELEMENTE AN DER RECHTEN LENKERSEITE

### Motorabstellschalter

Der Motorabstellschalter (1) befindet sich neben dem Gasdrehgriff. In der Stellung  (RUN) (Ein) ist der Motor betriebsbereit. In der Stellung  (OFF) (Aus) ist der Motor außer Betrieb. Dieser Schalter ist in erster Linie als Sicherheits- oder Notschalter gedacht, und sollte normalerweise auf  (RUN) stehen.




(1) Motorabstellschalter

(2) Anlasserknopf

36

### Anlasserknopf

Der Anlasserknopf (2) befindet sich unter dem Motorabstellschalter (1).

Wenn der Anlasserknopf gedrückt wird, kurbelt der Anlasser den Motor durch. Bei auf  (OFF) gestelltem Motorabstellschalter funktioniert der Anlasser nicht. Siehe Seite 51 bezüglich Anlaßverfahren.

## BEDIENUNGSELEMENTE AN DER LINKEN LENKERSEITE (Außer U-Typ)

### Scheinwerferschalter (1)

Der Scheinwerferschalter (1) besitzt drei Stellungen: ☼, ☾☽☾ und "OFF", markiert durch einen weißen Punkt unterhalb von ☾☽☾.

☼: Scheinwerfer, Schlußlicht, Standlicht und Instrumentenbeleuchtung sind eingeschaltet.

☾☽☾: Standlicht, Schlußlicht und Instrumentenbeleuchtung sind eingeschaltet.

AUS: Scheinwerfer, Schlußlicht, Stand(Punkt)licht und Instrumentenbeleuchtung sind ausgeschaltet.

### Scheinwerferabblendschalter (2)

Den Schalter für Fernlicht auf ☾☽☽ (HI), für Abblendlicht auf ☾☽☽ (LO) stellen.

### Lichthupenschalter (3)

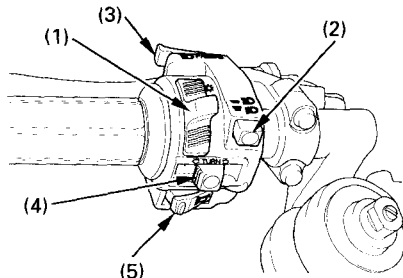
Wird dieser Schalter gedrückt, leuchtet der Scheinwerfer auf, um entgegenkommende Fahrer zu warnen oder die Überholabsicht anzuzeigen.

### Blinkerschalter (4)

Zum Anzeigen von Linksabbiegen den Schalter nach ↶ (L), zum Anzeigen von Rechtsabbiegen nach ↷ (R) schieben. Zum Ausschalten der Blinker drücken.

### Signalhornknopf (5)



Zum Betätigen des Signalhorns den Knopf drücken.




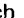
- (1) Scheinwerferschalter
- (2) Scheinwerferabblendschalter
- (3) Lichthupenschalter
- (4) Blinkerschalter
- (5) Signalhornknopf

## BEDIENUNGSELEMENTE AN DER LINKEN LENKERSEITE <Nur U-Typ>

### Scheinwerferabblendschalter (1)

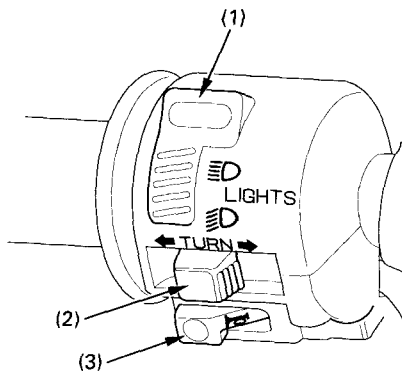
Den Schalter für Fernlicht auf  (HI), für Abblendlicht auf  (LO) stellen.

### Blinkerschalter (2)

Zum Anzeigen von Linksabbiegen den Schalter nach  (L), zum Anzeigen von Rechtsabbiegen nach  (R) schieben. Zum Ausschalten der Blinker drücken.

### Signalhornknopf (3)

Zum Betätigen des Signalhorns den Knopf drücken.



- (1) Scheinwerferabblendschalter
- (2) Blinkerschalter
- (3) Signalhornknopf

## MERKMALE

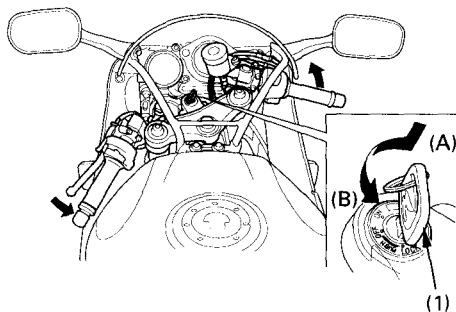
### (ohne Bedeutung für den Betrieb)

## LENKSCHLOSS

Zum Verriegeln der Lenkung den Lenker ganz nach links oder rechts einschlagen und den Zündschlüssel (1) bei gleichzeitigem Hineindrücken auf LOCK drehen. Dann den Schlüssel abziehen.

### **▲ WARNUNG**

- \* Auf keinen Fall den Zündschlüssel während der Fahrt auf LOCK drehen, weil dies zum Verlust der Kontrolle über das Fahrzeug führt.

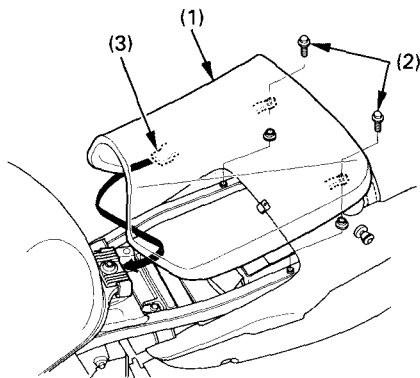


- (1) Zündschlüssel
- (A) Hineindrücken
- (B) Auf LOCK drehen

## SITZ

### Vordersitz

Um den Vordersitz (1) zu entfernen, den Sitz nach oben ziehen und die beiden Befestigungsschrauben (2) losdrehen. Danach den Sitz zurück und nach oben ziehen. Für den Einbau des Vordersitzes die Lasche (3) in den Ausschnitt unter dem Rahmen einführen und dann die Befestigungsschraube gut festziehen.



(1) Vordersitz

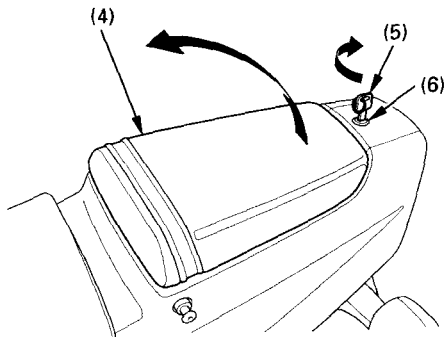
(3) Lasche

(2) Befestigungsschrauben



## Rücksitz

Um den Rücksitz (4) zu öffnen, den Zündschlüssel (5) in das Sitzschloß (6) einstecken und im Uhrzeigersinn drehen. Den Sitz zurück und nach oben ziehen, um den Rücksitz zu schließen. Dabei die hintere Seite des Sitzes nach unten drücken.



(4) Rücksitz  
(5) Zündschlüssel

(6) Sitzschloß

## HELMHALTER

Der Helmhalter befindet sich an der Unterseite der Sitzbank.

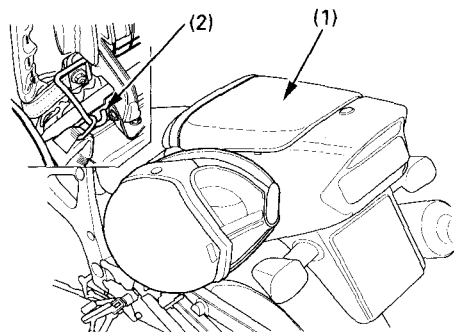
Die Sitzbank ( 1 ) öffnen (siehe Seite 41).

Den Helm am Haltehaken ( 2 ) aufhängen.

Die Sitzbank schließen und verriegeln.

### **▲ WARNUNG**

\* **Der Helmhalter dient nur zur sicheren Aufbewahrung des Helms beim Parken. Fahren Sie nicht mit dem Motorrad, wenn ein Helm am Halter befestigt ist; der Helm könnte den sicheren Betrieb gefährden und Verlust der Kontrolle über das Fahrzeug verursachen.**



(1) Rücksitz

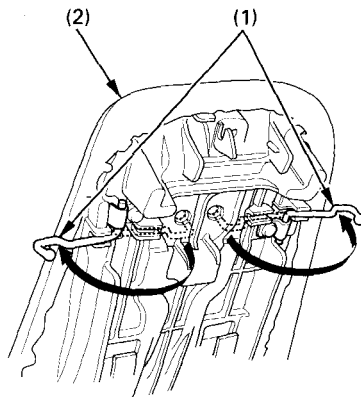
(2) Haltehaken

## GEPÄCKKLAMMERN

Dieses Motorrad ist mit einem elastischen Zurring mit Haken (1) ausgestattet, der sich hinten am Rücksitz (2) befindet. Mit diesem Zurring läßt sich das Gepäck sicher verzurren.

### VORSICHT

\* Niemals die Gepäckklammern zum Abschleppen oder Anheben des Motorrads verwenden.



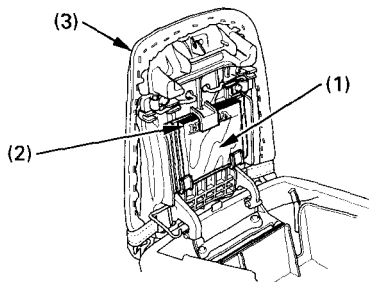
(1) Gepäckklammern

(2) Rücksitz

### DOKUMENTENTASCHE

Die Dokumententasche (1) befindet sich im Dokumentenfach (2) an der hinteren Seite des Rücksitzes (3).

Dieses Fahrer-Handbuch und andere Dokumente sollten in der Dokumententasche aufbewahrt werden. Achten Sie beim Waschen des Motorrads darauf, daß dieser Bereich nicht mit Wasser vollläuft.



- (1) Dokumententasche
- (2) Dokumentenfach

(3) Rücksitz

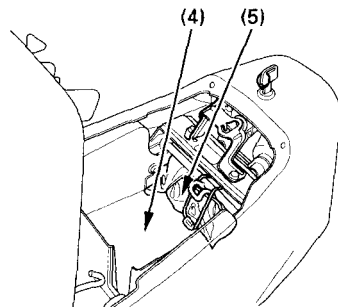
### STAUFACH

Das Ablagefach (4) befindet sich unter dem Rücksitz.

Dieses Fach ist für leichte Gegenstände gedacht. In diesem Fach nicht mehr als 2,0 kg befördern.

Der Werkzeugsatz (5) muß in diesem Ablagefach verstaut werden.

Beim Waschen des Motorrads darauf achten, diesen Bereich nicht mit Wasser zu überfluten.



(4) Ablagefach

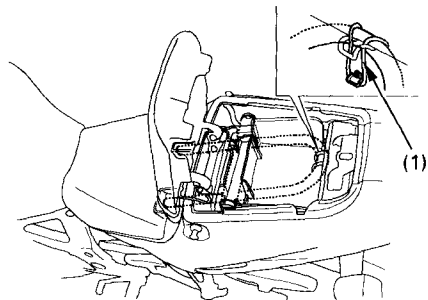
(5) Werkzeugsatz

## **AUFBEWAHRUNGSFACH FÜR U-FÖRMIGES DIEBSTAHSICHERUNGSSCHLOSS**

Das Hinterrad-Schutzblech ist mit einem Aufbewahrungsfach für ein U-förmiges Diebstahlsicherungsschloß unter dem Sitz ausgestattet. Nach der Ablage das Schloß unbedingt mit dem Gummiband (1) einwandfrei sichern.

### **ZUR BEACHTUNG:**

- \* U-Schlösser abweichender Größe oder besonderen Designs passen unter Umständen nicht in das Fach.



(1) Gummiband

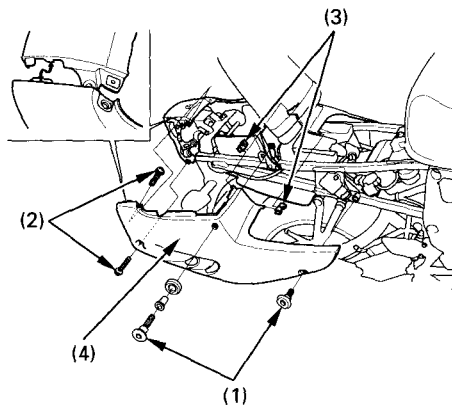
## SEITENDECKEL

### Demontage:

1. Den Vordersitz ausbauen (siehe Seite 40).
2. Den Rücksitz öffnen (siehe Seite 41).
3. Die Schrauben (1) losdrehen.
4. Die Schrauben (2) losdrehen.
5. Die Klemmen (3) entfernen.
6. Die Seitenverkleidungen entfernen, indem sie gegen der eigenen Körper herausgezogen werden.

### Montage:

1. Der Ausbau erfolgt in umgekehrter Einbaureihenfolge.



(1) Schrauben

(3) Klemmen

(2) Schrauben

(4) Seitenabdeckung

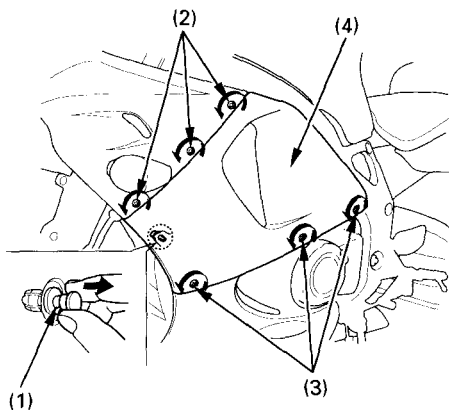
## MITTLERE VERKLEIDUNG

### Demontage:

1. Die Lasche (1) herausziehen.
2. Die unteren Klemmen (3) um 90° im Gegenuhrzeigersinn drehen, dann die obere Klemme (2) drehen.
3. Die Mittelverkleidung nach unten ziehen und entfernen.

### Montage:

1. Die Mittelverkleidung von der oberen Seite her einbauen.
2. Die obere Klemmen (2) um 90° im Uhrzeigersinn drehen und dann die untere Klemmen (3) drehen.
3. Die Lasche (1) hineindrücken.



- |                   |                          |
|-------------------|--------------------------|
| (1) Lasche        | (3) Untere Klemmen       |
| (2) Obere Klemmen | (4) Mittlere Verkleidung |

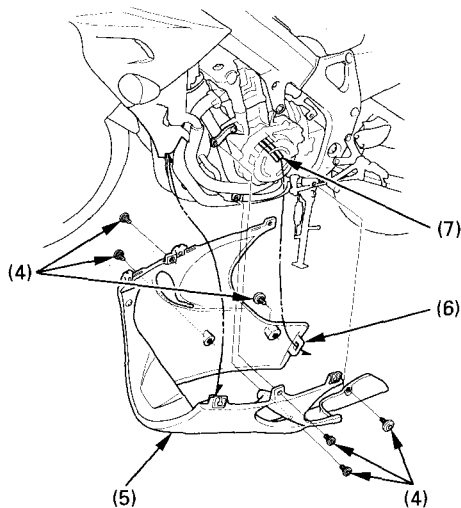
## UNTERE VERKLEIDUNG

### Demontage:

1. Die Mittelverkleidung entfernen (Seite 47).
2. Die Schrauben (4) entfernen.
3. Die untere Verkleidung (5) entfernen.

### Montage:

1. Der Ausbau erfolgt in umgekehrter Einbaureihenfolge.
- Die Schläuche durch die Klemme der unteren Verkleidung führen.



(4) Schrauben  
(5) Untere Verkleidung

(6) Klemme  
(7) Schläuche



## BEDIENUNG

### ÜBERPRÜFUNG VOR DEM FAHREN

#### **▲ WARNUNG**

\* Eine Mißachtung der "Überprüfung vor dem Fahren" kann zu schwerer Körperverletzung oder Beschädigung des Fahrzeugs führen.

Überprüfen Sie Ihr Motorrad jeden Tag vor dem Fahren. Die hier aufgelisteten Überprüfungen nehmen nur wenig Zeit in Anspruch und helfen auf längere Sicht, Zeit und Kosten zu sparen und Leib und Leben zu schützen.

1. Motorölstand – Ölstand kontrollieren und gegebenenfalls Öl nachfüllen (Seite 31). Motor auf Undichtigkeit überprüfen.
2. Kraftstoffstand – rechtzeitig auftanken (Seite 28). Kraftstoffsystem auf Undichtigkeit überprüfen.
3. Kühlmittelstand – Kühlmittelstand überprüfen und gegebenenfalls Kühlmittel nachfüllen. Kühlsystem auf Undichtigkeit überprüfen (Seite 25 – 26).

4. Vorder- und Hinterradbremsten – Bremswirkung überprüfen; sicherstellen, daß keine Bremsflüssigkeit ausläuft (Seite 19 – 22).
5. Reifen – Reifenzustand und Fülldruck überprüfen (Seite 32 – 34).
6. Antriebskette – Zustand und Durchhang überprüfen (Seite 76). Gegebenenfalls einstellen und schmieren.
7. Gasdrehgriff – auf leichtes Öffnen und Schließen in allen Lenkerstellungen überprüfen.
8. Beleuchtung und Signalhorn – prüfen, ob Scheinwerfer, Schluß-/Bremslicht, Blinker, Anzeigeleuchten und Signalhorn einwandfrei funktionieren.
9. Motorabstellschalter – auf einwandfreies Funktionieren überprüfen (Seite 36).
10. Seitenständer-Zündstromunterbrechung – auf einwandfreies Funktionieren überprüfen (Seite 84).

Beheben Sie sämtliche Mängel, bevor Sie losfahren. Wenden Sie sich an Ihren HONDA-Vertragshändler, wenn Sie ein Problem nicht lösen können.

## **ANLASSEN DES MOTORS**

Dieses Motorrad ist mit einer Seitenständer-Zündstromunterbrechung ausgerüstet.

Bei ausgeklapptem Seitenständer kann der Motor nur angelassen werden, wenn das Getriebe in den Leerlauf geschaltet ist. Bei eingeklapptem Seitenständer kann der Motor auch im Leerlauf oder bei eingelegtem Gang angelassen werden, wenn gleichzeitig die Kupplung ausgerückt wird. Nach Anlassen des Motors bei ausgeklapptem Seitenständer stirbt der Motor ab, wenn ein Gang eingelegt wird.

### **▲ WARNUNG**


**\* Lassen Sie den Motor niemals in einem geschlossenen Raum laufen. Die Abgase enthalten giftiges Kohlenmonoxid, das Bewußtlosigkeit verursachen und zum Tod führen kann.**

#### **ZUR BEACHTUNG:**

**\* Betätigen Sie den elektrischen Anlasser nicht länger als jeweils 5 Sekunden. Warten Sie mindestens 10 Sekunden, ehe Sie einen erneuten Startversuch unternehmen.**

## **Vorbereitung**

Vor dem Anlassen den Zündschlüssel einstecken, auf ON drehen und folgende Kontrollen durchführen:

- Das Getriebe ist auf Leerlauf (NEUTRAL) geschaltet (Leerlaufanzeige leuchtet).
- Der Motorabstellschalter steht auf  (RUN).
- Die rote Anzeigelampe für niedrigen Öldruck ist an.
- Der Kraftstoffhahn ist aufgedreht (auf ON).

## Startverfahren

Zum erneuten Anlassen des noch warmen Motors gemäß den Anweisungen unter "Hohe Lufttemperatur" vorgehen.

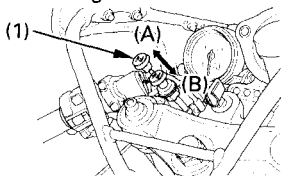
## Normale Lufttemperatur

10° – 35°C

1. Wenn der Motor kalt ist, den Choke-Knopf (1) bis zum Anschlag hochziehen (A).
2. Den Motor starten, ohne den Gasdrehgriff aufzudrehen.

### ZUR BEACHTUNG:

\* Beim Starten des Motors mit geöffnetem Choke den Gasdrehgriff nicht aufdrehen, da dies zu einer Abmagerung des Gemischs und damit zu Startschwierigkeiten führen würde.



- (1) Chokeknopf  
(A) Vollgeöffnete Position  
(B) Vollgeschlossene Position

3. Sofort nach dem Anspringen des Motors den Choke (1) bedienen, um eine schnelle Leerlaufdrehzahl zu erzielen von:  
2.000 – 3.000 min<sup>-1</sup> (U/min)
4. Ungefähr 15 Sekunden nach dem Anspringen des Motors ist der Chokeynopf (1) ganz nach unten auf OFF (B) zu drücken.
5. Bei ungleichmäßigem Leerlauf den Gasdrehgriff etwas aufdrehen.

## **VORSICHT**

\* Die rote Anzeigelampe für niedrigen Öldruck muß wenige Sekunden nach dem Anspringen des Motors erlöschen. Falls sie erleuchtet bleibt, sofort den Motor abstellen und den Motorölstand kontrollieren. Der Betrieb des Motors mit unzureichendem Öldruck kann schwerwiegende Motorschäden zur Folge haben.

### Hohe Lufttemperatur

35°C oder höher

1. Nicht den Choke benutzen.
2. Die Drosselklappe leicht öffnen.
3. Den Motor anlassen.

### Niedrige Lufttemperatur

10 °C oder darunter

1. Die Schritte 1 – 2 unter “Normale Lufttemperatur” befolgen.
2. Wenn sich die Motordrehzahl zu erhöhen beginnt, den Choke-Knopf verstellen, um den Schnelleerlauf auf der folgenden Drehzahl zu halten:  
 $2.000 - 3.000 \text{ min}^{-1} (\text{U/min})$
3. Den Motor solange warmlaufen lassen, bis er rund läuft und bei auf OFF (B) gestelltem Chokeyknopf (1) anspricht.

### **VORSICHT**

- \* **Den Motor nicht hochjagen oder bei normalen Außentemperaturen länger als 5 Minuten im Schnelleerlauf laufen lassen, da dies eine Verfärbung des Auspuffrohrs verursachen kann.**
- \* **Anhaltender Gebrauch des Chokes kann die Schmierung des Kolbens und der Zylinderwand beeinträchtigen.**

### **Motor überflutet**

Wenn der Motor auch nach wiederholten Anlaßversuchen nicht anspringt, kann er mit Kraftstoff überflutet sein. Um einen überfluteten Motor wieder zum Laufen zu bringen, den Motorabstellschalter auf

○ (RUN) gestellt lassen und den Chokeyknopf ganz nach unten zur Position OFF (B) schieben. Vollgas geben und den Motor 5 Sekunden lang durchkurbeln. Wenn der Motor anspringt, den Gasdrehgriff schnell zudrehen, und bei instabilem Leerlauf wieder leicht aufdrehen. Wenn der Motor nicht anspringt, 10 Sekunden warten, dann das Anlaßverfahren für durchführen.

## EINFAHREN

Während der Einfahrzeit unterliegen die noch nicht eingelaufenen Gleitflächen einem erhöhten Verschleiß. Die erste Inspektion nach 1.000 km dient unter anderem Zweck, diesen anfänglichen Verschleiß durch Einstellarbeiten auszugleichen. Rechtzeitige Ausführung der ersten Inspektion gewährleistet optimale Leistung und Lebensdauer des Motors.

Folgende allgemeine Regeln sind zu beachten:

1. Den Motor niemals bei niedrigen Drehzahlen mit Vollgas betreiben. Diese Regel gilt nicht nur während der Einfahrzeit, sondern immer.
2. Während der ersten 1.000 km darf die maximale Dauerdrehzahl von  $5.000 \text{ min}^{-1}$  (U/min) nicht überschritten werden.
3. Bei einem Kilometerstand von 1.000 bis 1.600 km ist die maximale Dauerdrehzahl um  $2.000 \text{ min}^{-1}$  (U/min) zu erhöhen. Lebhaft fahren, die Drehzahl häufig variieren, und Vollgas nur für kurze Sprints benutzen. Die maximale Drehzahl von  $7.000 \text{ min}^{-1}$  (U/min) nicht überschreiten.

4. Ab einem Kilometerstand von 1.600 km kann das Motorrad mit Vollgas gefahren werden. Die maximale Drehzahl von  $11.000 \text{ min}^{-1}$  (U/min) (roter Bereich des Drehzahlmessers) darf jedoch auf keinen Fall überschritten werden.

## VORSICHT

- \* **Den Motor nicht mit einer höheren als der empfohlenen Maximaldrehzahl laufenlassen (roter Bereich des Drehzahlmessers), da dies einen Motorschaden verursachen kann.**

## FAHREN

### ▲ WARNUNG

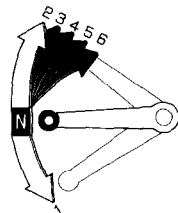
\* Lesen Sie den Abschnitt "Motorrad-Sicherheit" (Seite 1 – 5 ) noch einmal durch, bevor Sie losfahren.

#### ZUR BEACHTUNG:

\* Sichergehen, daß der Seitenständermechanismus einwandfrei funktioniert. (Siehe dazu WARTUNGSPLAN auf Seite und 62 Angaben zum SEITENSTÄNDER auf Seite 84 ).

1. Nachdem der Motor warmgelaufen ist, ist das Motorrad fahrbereit.
2. Bei Leerlaufdrehzahl den Kupplungshebel anziehen und den Fußschalthebel niederdrücken, um den ersten (kleinen) Gang einzulegen.
3. Den Kupplungshebel langsam loslassen und gleichzeitig durch Aufdrehen des Gasdrehgriffes die Motordrehzahl allmählich erhöhen. Eine gefühlvolle Koordination der Gasdrehgriff- und Kupplungshebel-Betätigung gewährleistet weiches Anfahren.

4. Wenn das Motorrad eine angemessene Geschwindigkeit erreicht, den Gasdrehgriff zu-drehen, den Kupplungshebel anziehen und durch Hochziehen des Fußschalthebels in den zweiten Gang schalten.  
Dieser Vorgang wird wiederholt, um nach und nach den 3., 4., 5. und 6. (großen) Gang einzulegen.
5. Um eine weiche Verzögerung zu erzielen, sind Gasdrehgriff- und Bremsbetätigung zu koordinieren.
6. Vorder- und Hinterradbremse sind gleichzeitig zu betätigen, doch nicht so stark, daß die Räder blockieren, denn dadurch würde die Bremswirkung beträchtlich reduziert und die Kontrolle über das Motorrad könnte schwierig werden.



## **FAHREN IN NIEDRIGER MEERESHÖHE**

**< Nur MX-Typ >**

Wenn dieses Motorrad in niedriger Meereshöhe betrieben wird, ist das Luft-Kraftstoffgemisch sehr mager. Unter 1.000 m Meereshöhe kann sich die Motorleistung reduzieren. Das magere Gemisch läßt sich für diese niedrigen Meereshöhen am Vergaser einstellen. Der Vergaser muß jedoch wieder auf die Standard-Werkseinstellung eingestellt werden, wenn in höheren Regionen gefahren wird. Für die Vergasereinstellung in niedrigeren Regionen besuchen Sie bitte Ihren autorisierten Honda-Fachhändler.

### **VORSICHT**

**\* Längerer Betrieb in Höhen über 1.500 m mit Vergasereinstellung für niedrige Regionen kann zur Überflutung des Vergasers führen.**



## **BREMSEN**

1. Für normales Abbremsen sind beide Bremsen leicht zu betätigen, während gleichzeitig die Gänge durch Herunterschalten der jeweiligen Fahrgeschwindigkeit angepaßt werden.
2. Für maximales Abbremsen den Gasdrehgriff zudrehen und beide Bremsen forscht betätigen. Ziehen Sie den Kupplungshebel an, bevor das Motorrad zum Stillstand kommt, um ein Abwürgen zu vermeiden.

### **▲ WARNUNG**

- \* Der unabhängige Einsatz nur der Vorder- oder der Hinterradbremse reduziert die Bremswirkung. Zu starkes Anziehen einer Bremse verursacht Blockieren des betreffenden Rades, was zum Verlust der Kontrolle über das Motorrad führen kann.
- \* Setzen Sie die Geschwindigkeit herab oder bremsen Sie möglichst, bevor Sie eine Kurve durchfahren; Gaswegnehmen oder Bremsen in einer Kurve kann die Räder zum Wegrutschen bringen, was zum Verlust der Kontrolle über das Motorrad führen kann.
- \* Beim Fahren unter nassen oder regnerischen Bedingungen oder auf lockerem Un-

tergrund sind Manövrierfähigkeit und Bremsmöglichkeit herabgesetzt. Unter solchen Bedingungen sind plötzliche, hastige Reaktionen zu vermeiden. Plötzliches Beschleunigen, Bremsen oder Ändern der Fahrtrichtung kann zum Verlust der Kontrolle führen. Lassen Sie daher um der Sicherheit willen beim Bremsen, Beschleunigen oder Abbiegen äußerste Vorsicht walten.

- \* Benutzen Sie an langen, steilen Gefällestrrecken die Motorbremswirkung durch Herunterschalten, wobei auch beide Bremsen in Abständen unterstützend einzusetzen sind. Durch ständiges Betätigen laufen die Bremsen heiß, wodurch ihr Wirkungsgrad herabgesetzt wird.
- \* Lassen Sie während der Fahrt nicht ständig Ihren Fuß auf dem Bremspedal oder Ihre Hand auf dem Bremshebel ruhen. Dies verursacht übermäßigen Bremsverschleiß, und es kann zu Beschädigung oder Ausfall der Bremsen durch Heißlaufen kommen. Außerdem kann Ihr Bremslicht andere Verkehrsteilnehmer verwirren.

## **PARKEN**

1. Nachdem das Motorrad zum Stillstand gekommen ist, das Getriebe in den Leerlauf schalten, den Kraftstoffhahn auf OFF drehen, den Lenker ganz nach links einschlagen, dann den Zündschlüssel auf OFF drehen und abziehen.
2. Benutzen Sie den Seitenständer zum Abstützen des Motorrads beim Parken.

### **VORSICHT**

- \* **Stellen Sie das Motorrad auf festem, ebennem Boden ab, damit es nicht umkippen kann.**
  - \* **Falls Sie auf leicht abschüssigem Untergrund parken müssen, richten Sie die Frontpartie des Motorrads bergwärts, damit das Motorrad nicht vom Seitenständer abrollen oder umkippen kann.**
3. Schließen Sie die Lenkung ab, um Diebstahl vorzubeugen (Seite 39).

## HINWEISE ZUR DIEBSTAHLVERHÜTUNG

1. Schließen Sie stets die Lenkung ab, und lassen Sie nie den Zündschlüssel stecken. Dies klingt banal, aber man ist leicht vergeßlich.
2. Vergewissern Sie sich, daß alle Zulassungspapiere für Ihr Motorrad vollständig und auf dem neuesten Stand sind.
3. Stellen Sie Ihr Motorrad möglichst in einer verschließbaren Garage unter.
4. Benutzen Sie eine zusätzliche gute Diebstahlsicherung.
5. Tragen Sie Ihren Namen, Anschrift und Telefonnummer in diese Betriebsanleitung ein, und bewahren Sie sie ständig in Ihrem Motorrad auf.

Es kommt oft vor, daß ein gestohlenen Motorrad anhand der Eintragungen in der Betriebsanleitung, die sich noch beim Motorrad befindet, identifiziert werden kann.

NAME: \_\_\_\_\_

ANSCHRIFT: \_\_\_\_\_

\_\_\_\_\_

\_\_\_\_\_

TELEFON: \_\_\_\_\_

## WARTUNG

- Der regelmäßige Wartungsplan schreibt vor, wie oft Ihr Motorrad gewartet werden sollte, und worauf zu achten ist. Plangemäße Wartung Ihres Motorrads ist für hohe Betriebssicherheit, Zuverlässigkeit und Funktionstüchtigkeit der Auspuffreinigungsanlage von ausschlaggebender Bedeutung.
- Die nachfolgenden Anweisungen beruhen auf der Annahme, daß das Motorrad ausschließlich für seinen ursprünglich vorgesehenen Zweck eingesetzt wird. Wird das Motorrad mit anhaltend hoher Drehzahl oder unter ungewöhnlich nassen oder staubigen Bedingungen betrieben, so muß es häufiger gewartet werden, als im WARTUNGSPLAN angegeben ist. Lassen Sie sich von Ihrem HONDA-Vertragshändler beraten, welche Maßnahmen speziell für Ihre Bedürfnisse und Anforderungen angebracht sind.

## WARTUNGSPLAN

Der folgende Wartungsplan enthält alle Wartungsarbeiten, die erforderlich sind, um Ihr Motorrad in optimalem Betriebszustand zu halten. Wartungsarbeiten sind gemäß von Honda aufgestellten Normen und technischen Daten von richtig ausgebildeten und ausgerüsteten Mechanikern auszuführen. Ihr Honda-Händler erfüllt all diese Anforderungen.

Die Überprüfung vor dem Fahren (Seite 49) zu jedem Wartungszeitpunkt durchführen.

I: INSPIZIEREN UND REINIGEN, EINSTELLEN, SCHMIEREN ODER AUSWECHSELN, FALLS ERFORDERLICH.

C: REINIGEN R: AUSWECHSELN A: EINSTELLEN L: SCHMIEREN

GEGENSTAND	HÄUFIGKEIT	JE NACHDEM, WAS ZUERST EINTRIFFT ↓	KILOMETERSTAND [ZUR BEACHTUNG (1)]								Siehe Seite	
			→	×	1	6	12	18	24	30		36
			×	0,6	4	8	12	16	20	24		
		ZUR BEACHTUNG	MONATE		6	12	18	24	30	36		
* KRAFTSTOFFSCHLÄUCHE					I	I	I	I	I	I	—	
* GASDREHGRIFFBETÄTIGUNG						I	I	I	I	I	74	
* CHOKE						I	I	I	I	I	—	
* LUFTFILTER		ZUR BEACHTUNG (2)					R			R	—	
ZÜNDKERZEN						I	I	R	I	I	72	
* VENTILSPIEL								I	I	I	—	
MOTORÖL				R		R		R		R	68	
MOTORÖLFILTER				R		R		R		R	69	
* VERGASERSYNCHRONISIERUNG						I	I	I	I	I	—	
* MOTORLEERLAUFDREHZAHL				I	I	I	I	I	I	I	75	
KÜHLMITTEL		ZUR BEACHTUNG (3)				I	I	I	I	R	25	
* KÜHLSYSTEM						I	I	I	I	I	—	
* ZWEITES LUFTMENGENSYSTEM		ZUR BEACHTUNG (4)				I	I	I	I	I	—	

GEGENSTAND	HÄUFIGKEIT	JE NACHDEM, -- WAS ZUERST EINTRIFFT ↓ ZUR BEACHTUNG	KILOMETERSTAND [ZUR BEACHTUNG (1)]							Siehe Seite	
			× 1.000 km	1	6	12	18	24	30		36
			× 1.000 mi	0,6	4	8	12	16	20		24
		MONATE		6	12	18	24	30	36		
	ANTRIEBSKETTE		I, L ALLE 1.000 km							76	
	ANTRIEBSKETTENGLEITSTÜCK									82	
	BREMSFLÜSSIGKEIT	ZUR BEACHTUNG (3)				R			R	19	
	BREMSBELAGVERSCHLEISS									92	
	BREMSSYSTEM									19, 92	
*	BREMSLICHTSCHALTER									—	
*	SCHEINWERFEREINSTELLUNG									—	
	KUPPLUNGSSYSTEM									23	
	SEITENSTÄNDER									84	
*	RADAUFHÄNGUNG									83	
*	MÜTTERN, SCHRAUBEN, BEFESTIGUNGSTEILE									—	
**	RÄDER/REIFEN									—	
**	STEUERKOPFLAGER									—	

- \* SOLLTE VON EINEM HONDA-VERTRAGSHÄNDLER GEWARTET WERDEN, AUSSER WENN DER BESITZER ÜBER DIE GE- EIGNETEN WERKZEUGE UND WARTUNGSDATEN VERFÜGT UND HANDWERKLICH QUALIFIZIERT IST. IM OFFIZIELLEN HONDA-WERKSTATT-HANDBUCH NACHSCHLAGEN.
- \*\* IM INTERESSE IHRER SICHERHEIT EMPFEHLEN WIR, DIESE ARBEITEN NUR VON EINEM HONDA-VERTRAGSHÄNDLER AUSFÜHREN ZU LASSEN.

Honda empfiehlt, daß Ihr Motorrad nach jedem planmäßigen Kundendienst von Ihrem Händler probefahren wird.

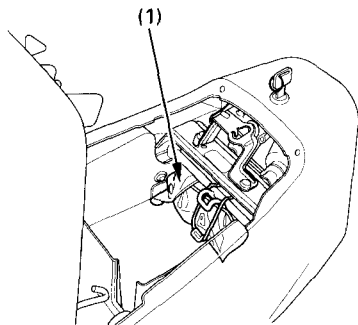
- ZUR BEACHTUNG:
- (1) Bei höherem Kilometerstand in den hier angegebenen Abständen wiederholen.
  - (2) Häufiger warten, wenn in ungewöhnlich nassen oder staubigen Gebieten gefahren wird.
  - (3) Alle 2 Jahre oder in den angegebenen, Kilometerabständen auswechseln, je nachdem, was zuerst ein- tritt. Das Auswechseln erfordert handwerkliches Können.
  - (4) Nur an Modellen für die Schweiz und Österreich.

## WERKZEUGSATZ

Der Werkzeugsatz (1) befindet sich unter dem Vordersitz.

Kleinere Reparaturen, Einstell- und Auswech-selarbeiten können mit den in diesem Satz enthaltenen Werkzeugen durchgeführt werden.

- Hakenschlüssel
- Zündkerzenschlüssel
- 10 × 12-mm-Steckschlüssel
- 8 × 12-mm-Gabelschlüssel
- 10 × 14-mm-Gabelschlüssel
- Zange
- Kreuzschlitzschraubendreher Nr. 2
- Schraubendreher Nr. 2
- Schraubenziehergriff
- Verlängerungsstange
- 5-mm-Innensechskantschlüssel
- 22-mm-Steckschlüssel
- 27-mm-Steckschlüssel
- Fühlerlehre 0,7 mm
- Werkzeugtasche



(1) Werkzeugsatz

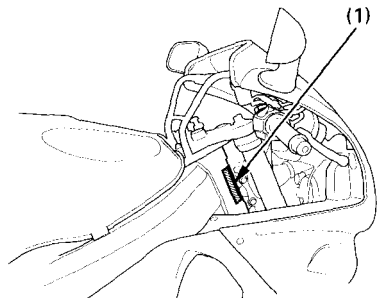


## SERIENNUMMERN

Rahmen- und Motorseriennummer werden bei der Zulassung Ihres Motorrads benötigt. Sie werden u.U. auch von Ihrem HONDA-Vertragshändler benötigt, um Ersatzteile zu bestellen.

Tragen Sie die Nummern hier für spätere Bezugnahme ein.

RAHMEN-NR. \_\_\_\_\_

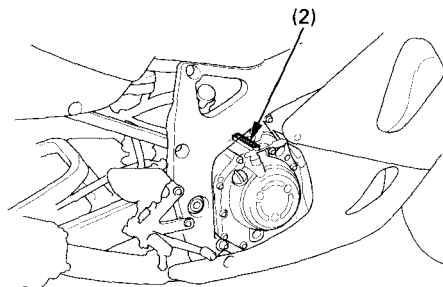


(1) Rahmennummer

Die Rahmennummer (1) ist rechts in das Steuerkopfrohr eingestanzt.

Die Motornummer (2) ist oben in das Kurbelgehäuse eingestanzt.

MOTOR-NR. \_\_\_\_\_



(2) Motornummer

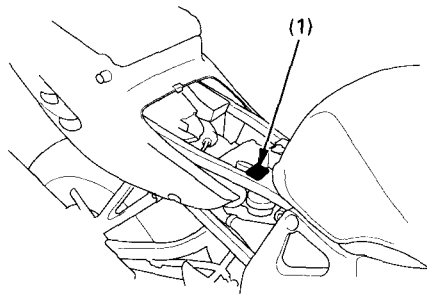
## **FARBPLAKETTE**

Die Farbplakette (1) befindet sich am Rahmen unter dem Vordersitz (siehe Seite 40).

Sie wird bei der Bestellung von Ersatzteilen benötigt. Tragen Sie Farbe und Code hier für spätere Bezugnahme ein.

FARBE \_\_\_\_\_

CODE \_\_\_\_\_



(1) Farbplakette

## WARTUNGSHINWEISE

### **▲ WARNUNG**

- \* Falls Ihr Motorrad umgekippt ist oder in einen Unfall verwickelt war, überprüfen Sie Bedienungshebel, Seilzüge, Brems-schläuche, Bremssattel, Zubehörteile und andere wichtige Teile auf Beschädigung. Fahren Sie nicht mit dem Motorrad, wenn der sichere Betrieb durch beschädigte Teile gefährdet ist. Lassen Sie wichtige Teile wie Rahmen, Federung und Lenkung von Ihrem HONDA-Vertragshändler auf Verzug und Beschädigung überprüfen, die Sie selbst nicht festzustellen vermögen.
- \* Benutzen Sie für die Wartung und Reparatur nur Original-HONDA-Ersatzteile oder deren Entsprechungen. Teile, die nicht die gleiche Qualität aufweisen, können die Sicherheit Ihres Motorrads und den wirksamen Betrieb der Abgasreinigungsanlage beeinträchtigen.

### **▲ WARNUNG**

- \* Stellen Sie den Motor ab, und stellen Sie das Motorrad auf ebenem Untergrund sicher auf, bevor Sie mit irgendwelchen Wartungsarbeiten beginnen.

## MOTORÖL

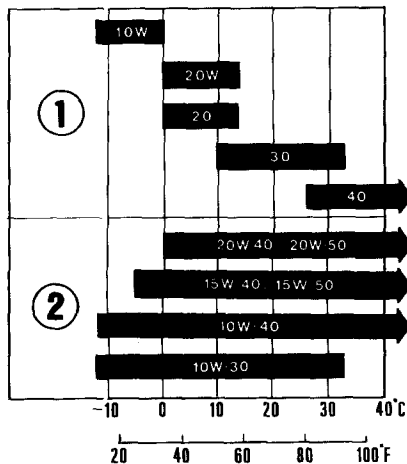
(Lesen Sie die Wartungshinweise auf Seite 67 durch.)

### Motoröl

Gutes Motoröl hat viele erwünschte Qualitäten. Verwenden Sie nur hochlösliches Marken-Motoröl, das laut Angaben auf dem Behälter die Qualitätsanforderungen der API-Klassen SE, SF oder SG erfüllt oder übertrifft.

### Viskosität:

Der Viskositätsgrad des Motoröls sollte auf der durchschnittlichen Lufttemperatur in Ihrem Fahrgebiet basieren. Die nebenstehende Tabelle soll Ihnen bei der Wahl der richtigen Gradierung oder Viskosität des Öls für verschiedene Lufttemperaturen behilflich sein.

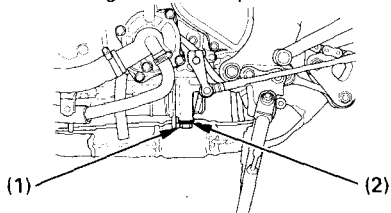


(1) Einbereich

(2) Mehrbereich

## Motoröl und Ölfilter

Die Qualität des Motoröls ist der Hauptfaktor für die Betriebsdauer des Motors. Das Motoröl muß gemäß dem vorgegebenen Wartungsplan gewechselt werden (Seite 61). Das Auswechseln des Ölfilters erfordert ein spezielles Ölfilter-Aus/Einbauwerkzeug sowie einen Drehmomentschlüssel. Wenn Sie nicht die erforderlichen Werkzeuge bzw. die technische Geschicklichkeit besitzen, lassen Sie diese Arbeit durch Ihren autorisierten Honda-Händler ausführen. Wenn beim Einbau des Ölfilters kein Drehmomentschlüssel verwendet wurde, suchen Sie bitte sobald wie möglich Ihren Honda-Händler auf, um die Anzugswerte nachprüfen zu lassen.



(1) Ölablaßschraube      (2) Abdichtscheibe

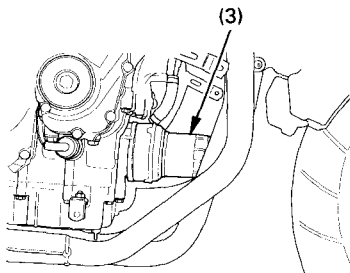
## ZUR BEACHTUNG:

- \* Zum Wechseln des Motoröls muß der Motor Betriebstemperatur haben und das Motorrad auf dem Seitenständer stehen, um vollständiges und schnelles Abfließen des Öls zu gewährleisten.

## VORSICHT

- \* Um Ölauslaufen und Beschädigung des Ölfilters zu vermeiden, darf der Motor niemals am Ölfilter abgestützt werden.

1. Die Mittelverkleidung (Seite 47) und die untere Verkleidung (Seite 48) entfernen.
2. Um das Öl abzulassen, ist der Öleinfülldeckel und die Ablaßschraube (1) des Kurbelgehäuses mit der Abdichtscheibe (2) abzunehmen.

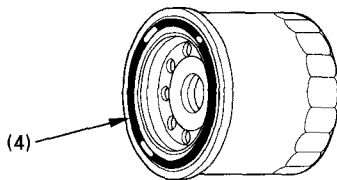


(3) Ölfilter

### ▲ WARNUNG

\* Ein warmgelaufener Motor und das darin befindliche Öl sind heiß; seien sie vorsichtig und verbrennen Sie sich nicht.

3. Den Ölfilter (3) mit einem Filterschlüssel entfernen und das Restöl ablassen.
4. Die Gummidichtung (4) des neuen Ölfilters leicht mit Motoröl anfeuchten.
5. Für den Einbau des Ölfilters ein Spezialwerkzeug (Ölfilter-Aus/Einbauwerkzeug) sowie einen Drehmomentschlüssel verwenden und auf den folgenden Anzugswert festziehen:  
10 N·m (1,0 kgf·m)



(4) Ölfilter-Gummidichtung

6. Einen Original-Honda-Ölfilter oder einen Filtereinsatz gleichwertiger Qualität für dieses Modell verwenden. Bei Verwendung anderer Honda-Filter oder Nicht-Honda-Filter, die nicht von gleichwertiger Qualität sind, kann es zur Beschädigung des Motors kommen.
7. Prüfen, ob die Dichtungsscheibe auf der Abblafschaube in gutem Zustand ist, dann die Abblafschaube installieren. Die Dichtungsscheibe bei jedem Ölwechsel, bzw wenn erforderlich, ersetzen.  
Drehmoment der Abblafschaube:  
30 N·m (3,1 kgf·m)
8. Das Kurbelgehäuse mit dem empfohlenen Öl füllen. Füllmenge:  
3,6 l
9. Den Öleinfüllverschluß anbringen.
10. Den Motor anlassen und für 2 bis 3 Minuten im Leerlauf laufen lassen.
11. Nach einigen Minuten den Motor abstellen und bei aufrecht stehendem Motorrad überprüfen, daß der Ölstand bis zur oberen Marke des Ölmeßstabs reicht. Sicherstellen, daß keine Ölundichtigkeiten auftreten.

#### ZUR BEACHTUNG:

- \* Wenn das Motorrad unter sehr staubigen Bedingungen betrieben wird, sollte das Öl öfter gewechselt werden, als im Wartungsplan angegeben ist.
- \* Bitte beseitigen Sie Altöl so, daß die Umwelt nicht geschädigt wird. Am besten bringen Sie es zwecks Rückgewinnung in einem verschlossenen Behälter zur nächsten Kundendienststelle oder zu einer Abfallverwertungsstelle. Altöl sollte weder zum Müll gegeben, noch achtlos weggeschüttet werden, auch nicht in einen Abguß.

#### VORSICHT

- \* **Altöl kann Hautkrebs verursachen, falls es wiederholt über längere Zeit mit der Haut in Berührung kommt. Wenn Sie nicht täglich mit Altöl zu tun haben, ist eine Erkrankung allerdings ziemlich unwahrscheinlich. Trotzdem ist es ratsam, nach dem Umgang mit Altöl möglichst bald die Hände mit Wasser und Seife gründlich zu waschen.**

## ZÜNDKERZEN

(Lesen Sie die Wartungshinweise auf Seite 67 durch.)

Empfohlene Zündkerzen:

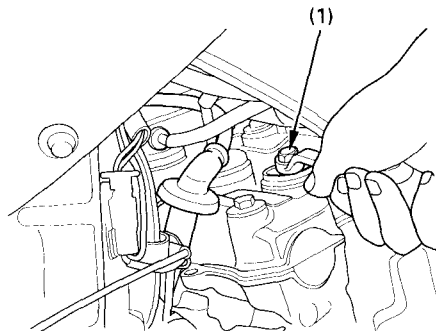
Standard:

CR9EH-9 (NGK) oder  
U27FER 9 (NIPPONDENSO)

Für kaltes Klima: (Unter 5°C)

CR8EH-9 (NGK) oder  
U24FER 9 (NIPPONDENSO)

1. Die rechte und linke Mittelverkleidung (1) entfernen (Seite 47), um Zugang zu den Zündkerzen zu erhalten.
2. Die Kerzenstecker von den Zündkerzen abziehen.
3. Jeglichen Schmutz um den Zündkerzensockel herum beseitigen. Die Zündkerze mit dem Zündkerzenschlüssel (1) des Werkzeugsatzes entfernen.

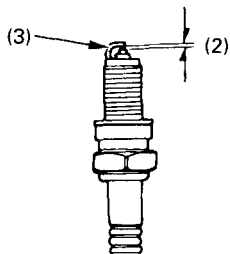


(1) Zündkerzenschlüssel



4. Die Elektroden und den Isolatorfuß auf Verbrennungsrückstände, Abbrand oder Verrußen untersuchen. Bei starkem Abbrand oder Ablagerungen ist die Zündkerze auszuwechseln. Eine verrußte oder nasse Zündkerze kann mit einem Zündkerzenreiniger oder einer Drahtbürste gereinigt werden.
5. Den Elektrodenabstand (2) mit Hilfe einer Fühlerlehre überprüfen. Gegebenenfalls ist der Elektrodenabstand durch vorsichtiges Biegen der Masseelektrode (3) zu korrigieren.

Elektrodenabstand:  
0,80–0,90 mm



(2) Elektrodenabstand      (3) Masseelektrode

6. Die Zündkerze mit aufgesetztem Dichtring von Hand einschrauben, um eine Gewindebeschädigung zu vermeiden.
7. Eine neue Zündkerze ist nach dem Aufsitzen mit dem Zündkerzenschlüssel um 1/2 Umdrehung anzuziehen, um den Dichtring zusammenzupressen. Bei Wiederverwendung der alten Zündkerze genügt eine 1/8 bis 1/4 Umdrehung nach dem Aussetzen.
8. Die Kerzenstecker wieder anbringen.

### VORSICHT

- \* Die Zündkerze muß fest angezogen werden. Eine schlecht angezogene Zündkerze kann sehr heiß werden und möglicherweise den Motor beschädigen.
- \* Verwenden Sie niemals eine Zündkerze mit falschem Wärmewert. Es könnte sonst zu schwerwiegender Beschädigung des Motors kommen.

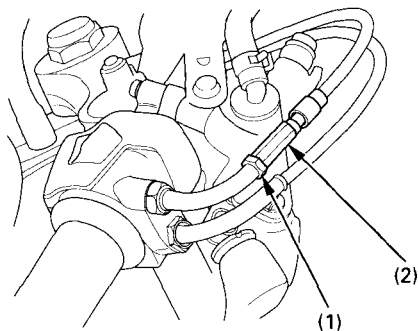
## **GASDREHGRIFFBETÄTIGUNG**

(Lesen Sie die Wartungshinweise auf Seite 67 durch.)

1. Prüfen, ob sich der Gasdrehgriff in allen Lernerstellungen leicht über den gesamten Drehbereich auf- und zudrehen lässt.
2. Das Gasdrehgriffspiel am Gasdrehgriff-  
flansch messen.

Das normale Spiel sollte betragen ca.:  
2–6 mm

Zum Einstellen des Spiels die Gegenmutter  
(1) lösen und den Einsteller (2) drehen.



(1) Gegenmutter

(2) Einsteller

## LEERLAUFDREHZAHL

(Lesen Sie die Wartungshinweise auf Seite 67 durch.)

Für eine genaue Leerlaufeinstellung muß der Motor normale Betriebstemperatur haben. Zehnminütiges Fahren mit wiederholtem Abbremsen und Beschleunigen ist dazu ausreichend.

### ZUR BEACHTUNG:

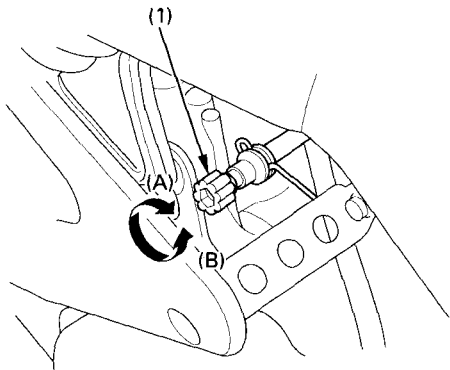
\* Nicht Fehler in anderen Systemen durch Einstellen der Leerlaufdrehzahl auszugleichen versuchen. Lassen Sie die regelmäßigen Vergasereinstellungen gemäß Wartungsplan einschließlich individueller Vergasereinstellung und-synchronisation von Ihrem autorisierten Honda durchführen.

1. Den Motor warmlaufen lassen und das Getriebe auf Leerlauf schalten.
2. Die Leerlaufdrehzahl mit Hilfe der Leerlaufbegrenzungsschraube (1) einstellen.

Leerlaufdrehzahl (im Leerlauf) :

$1.100 \pm 100 \text{ min}^{-1} (\text{U/min}) \dots \text{Außer SW}$

$1.100 \pm 50 \text{ min}^{-1} (\text{U/min}) \dots \text{SW}$



(1) Leerlaufbegrenzungsschraube

(A) Erhöhen

(B) Vermindern

## ANTRIEBSKETTE

(Lesen Sie die Wartungshinweise auf Seite 67 durch.)

Die Lebensdauer der Antriebskette hängt von richtiger Schmierung und Einstellung ab. Nachlässigkeit in diesen Punkten kann vorzeitigen Verschleiß oder Beschädigung der Antriebskette und der Kettenräder verursachen. Die Antriebskette ist als Teil der Überprüfung vor der Fahrt (Seite 49) zu kontrollieren und zu schmieren. Wenn das Motorrad stark beansprucht oder in ungewöhnlich staubiger bzw. schlammiger Umgebung gefahren wird, muß die Kette häufiger gewartet werden.

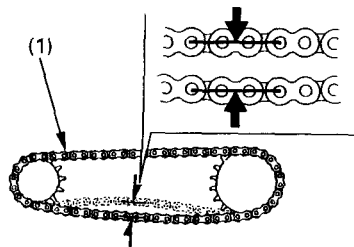
### Inspektion:

1. Den Motor abstellen, das Motorrad auf seinen Seitenständer stellen und das Getriebe auf Leerlauf schalten.
2. Den Kettendurchhang am unteren Abschnitt in der Mitte zwischen den Kettenrädern prüfen.

Die Kette sollte soviel Durchhang haben, daß sie mit der Hand auf- und abbewegt werden kann, etwa:

30 – 40 mm

3. Das Motorrad schieben, um das Hinterrad zu drehen und dabei den Kettendurchhang zu prüfen. Der Kettendurchhang muß während der Drehung des Rades konstant bleiben. Falls nur bestimmte Abschnitte der Kette stramm sind, sind einige Glieder angewinkelt und klemmen. Klemmende und angewinkelte Glieder können häufig durch Schmieren wieder beweglich gemacht werden.



(1) Antriebskette

4. Das Hinterrad langsam drehen, und die Kette sowie die Kettenräder auf folgende Mängel überprüfen:

#### ANTRIEBSKETTE

- \*Beschädigte Rollen
- \*Lose Rollenstifte
- \*Trockene oder verrostete Glieder
- \*Geknickte oder klemmende Glieder
- \*Übermäßiger Verschleiß
- \*Falsche Einstellung
- \*Fehlende O-Ringe

#### KETTENRÄDER

- \*Übermäßig verschlissene Zähne
- \*Abgebrochene oder beschädigte Zähne

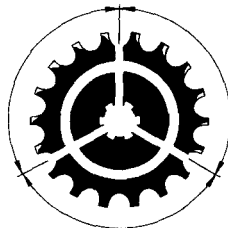
Eine Kette mit beschädigten Rollen, lockeren Stiften oder fehlenden O-Ringen muß erneuert werden. Eine Kette, die trockengelaufen ist oder Anzeichen von Rost aufweist, benötigt zusätzliche Schmierung. Abgeknickte oder klemmende Glieder müssen gründlich geschmiert und beweglich gemacht werden. Wenn klemmende Glieder nicht beweglich gemacht werden können, muß die Kette ausgetauscht werden.

Beschädigte Zähne

**AUSWECHSELN**

Abgenutzte Zähne

**AUSWECHSELN**

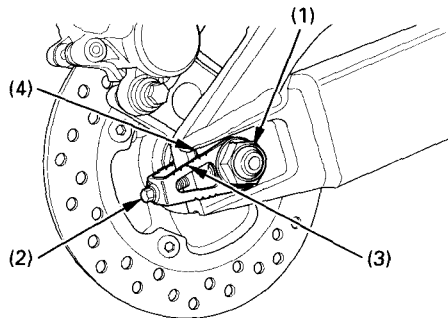


Normale kettenradzähne

**IN ORDNUNG**

### Einstellung:

Der Kettendurchhang ist alle 1.000 km zu kontrollieren und gegebenenfalls einzustellen. Wenn das Motorrad mit anhaltend hoher Geschwindigkeit gefahren oder oft schnell beschleunigt wird, muß die Kette möglicherweise öfter nachgespannt werden.



- (1) Achsmutter
- (2) Einstellschraube
- (3) Bezugsmarken
- (4) Bezugsmarke

Falls eine Einstellung der Antriebskette erforderlich ist, folgendermaßen vorgehen:

1. Das Motorrad bei auf Leerlauf geschaltetem Getriebe und ausgeschalteter Zündung auf den Seitenständer stellen.
2. Die Achsmutter (1) lösen.
3. Beide Einstellschrauben (2) gleich weit drehen, bis der richtige Antriebsketten-durchhang erhalten ist. Die Einstellschrauben im Gegenuhrzeigersinn drehen, um die Kette zu spannen, im Uhrzeigersinn, um ihr mehr Durchhang zu geben. Den Kettendurchhang in der Mitte zwischen dem Antriebskettenrad und dem Hinterrad-Kettenrad einstellen. Das Hinterrad drehen und den Durchhang an anderen Kettenabschnitten nachkontrollieren. Soll-Kettendurchhang :  
30 – 40 mm

4. Die Hinterachsausrichtung überprüfen, indem sichergestellt wird, daß die Ketteneinsteller-Indexmarken (3) auf die Indexmarke (4) an der Schwinge ausgerichtet sind.

Die Teilstriche müssen auf beiden Seiten übereinstimmen. Falls die Achse falsch ausgerichtet ist, je nachdem die linke oder rechte Spannermutter drehen, bis auf beiden Seiten die gleichen Teilstriche auf die Hinterkante des Einstellschlitzes ausgerichtet sind. Anschließend den Kettendurchhang erneut überprüfen.

5. Die Achsmutter mit dem vorgeschriebenen Anzugsmoment festziehen.

Anzugsmoment der Achsmutter:

95 N·m (9,7 kgf·m)

6. Die Einstellschrauben leicht anziehen.

## **VORSICHT**

**\* Der untere Rahmenteil kann beschädigt werden, wenn der Antriebskettendurchhang folgenden Wert überschreitet:**

**50 mm**

Prüfen des Verschleißausmaßes:

Beim Spannen der Kette ist ihre Längung an der Verschleißplakette festzustellen. Falls die lange Indexmarke (4) auf dem Kettenspanner nach dem Einstellen des Kettendurchhangs die rote Zone (5) auf der Plakette erreicht, ist die Kette übermäßig gelängt und muß ausgetauscht werden. Korrekter Durchhang :  
30 – 40 mm

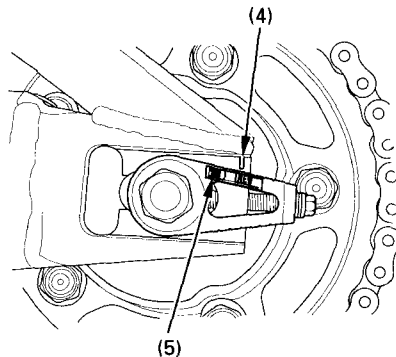
Austauschkette:

DID 525HV•GC&B

oder

RK GB525ROZ1

Dieses Motorrad ist mit einer Antriebskette mit einem verstelltem Kettenschloß ausgestattet, das zum Schneiden und Verstellen ein Spezialwerkzeug erfordert. Kein gewöhnliches Kettenschloß für diese Kette verwenden. Wenden Sie sich bitte an Ihren autorisierten Honda-Händler.



(4) Indexmarken

(5) Rote Zone



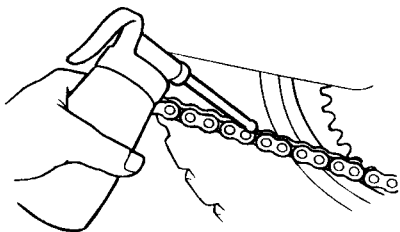
### Schmieren und Reinigen:

Die Kette ist alle 1.000 km oder öfter zu schmieren, wenn sie ein trockenes Erscheinungsbild zeigt, mindestens aber alle 1.000 km.

Die O-Ringe der Kette können durch Dampfzweiger, Hochdruckwascher und bestimmte Lösungsmittel zerstört werden. Verwenden Sie zum Reinigen der Kette Lösungsmittel mit hohem Flammpunkt, wie z.B. Paraffin. Anschließend trockenwischen und nur mit Getriebeöl der Viskosität SAE 80 oder 90 schmieren. Handelsübliche Kettenschmiermittel können Lösungsmittel enthalten, welche die Gummi-O-Ringe angreifen.

### **VORSICHT**

**\* Die Antriebskette dieses Motorrads ist mit kleinen O-Ringen zwischen den Laschen bestückt. Diese O-Ringe halten das Fett in der Kette, um ihre Lebensdauer zu verbessern. Beim Spannen, Schmieren, Reinigen und Auswechseln der Kette müssen jedoch besondere Vorsichtsmaßnahmen getroffen werden.**

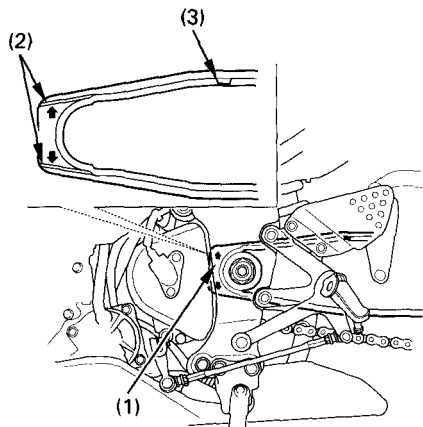


## **ANTRIEBSKETTEN-SCHIEBESTÜCK**

(Lesen Sie die Wartungshinweise auf Seite 67 durch.)

Das Kettenschiebestück (1) auf Verrschleiß überprüfen.

Das Kettenschiebestück muß ersetzt werden, wenn es bis zur Verschleißgrenzenmarkierung (2) oder bis zum Grund der Nut (3) abgenutzt ist. Zum Auswechseln sich an einen autorisierten Honda Händler wenden.



- (1) Kettengleitschuh
- (2) Verschleißgrenzenmarkierung
- (3) Verschleißanzeigenuten

## **ÜBERPRÜFUNG DER VORDER - UND HINTERRADAUFHÄNGUNG**

(Lesen Sie die Wartungshinweise auf Seite 67 durch.)

1. Die Teleskopgabel durch Anziehen der Vorderradbremse und heftiges Hoch- und Niederdrücken der Gabel überprüfen. Die Federungswirkung sollte weich sein, und es darf kein Öl auslaufen.
2. Die Schwingarmlager sind zu überprüfen, indem bei hochgebocktem Motorrad fest gegen eine Seite des Hinterrads gedrückt wird. Ein vorhandenes Spiel zeigt an, daß die Lager ausgeschlagen sind.
3. Alle Befestigungsteile der Vorder- und Hinterradfederung sorgfältig auf einwandfreie Festigkeit überprüfen.

## SEITENSTÄNDER

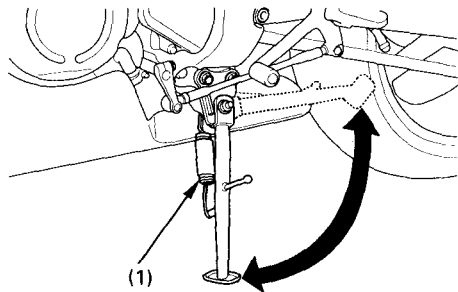
(Lesen Sie die *Wartungshinweise* auf Seite 67 durch.)

Die folgenden *Wartungsarbeiten* gemäß dem *Wartungsplan* ausführen.

### Funktionsprüfung:

- Die *Feder (1)* auf *Beschädigung* oder *Spannungsverlust* und das *Seitenständersystem* auf *Leichtgängigkeit* überprüfen.
- Die *Zündstromunterbrechung* überprüfen:
  1. Setzen Sie sich *rittlings* auf das *Motorrad*. Den *Seitenständer hochklappen* und das *Getriebe* in den *Leerlauf* schalten.
  2. Den *Motor* anlassen und bei *angezogenem Kupplungshebel* einen *Gang einlegen*.
  3. Den *Seitenständer vollkommen ausklappen*. Der *Motor* muß *ausgehen*, sobald der *Seitenständer ausgeklappt* wird.

Falls das *Seitenständersystem* nicht wie *beschrieben* funktioniert, lassen Sie es von Ihrem *Honda-Vertragshändler* warten.



(1) Seitenständerfeder

## AUSBAU DER RÄDER

(Lesen Sie die Wartungshinweise auf Seite 67 durch.)

### ZUR BEACHTUNG:

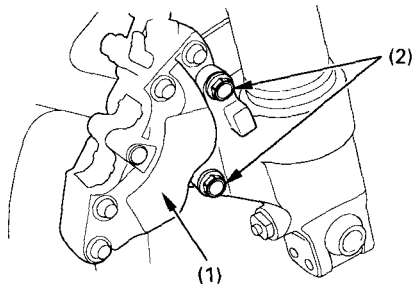
- \* Dieses Motorrad ist nur mit einem Seitenständer ausgestattet. Daher ist es zum Ausbau des Vorder- oder Hinterrades erforderlich, den Mittelteil des Motorrads mit einem geeigneten Hilfsmittel anzuheben und abzustützen. Falls solche Hilfsmittel nicht vorhanden sind, lassen Sie diese Arbeit von Ihrem HONDA-Vertragshändler ausführen.

## Ausbau des Vorderrads

1. Das Vorderrad vom Boden abheben und eine Stütze unter den Motor stellen.
2. Den rechten und linken Bremssattel (1) vom Gabelrohr abnehmen, indem die Halteschrauben (2) herausgedreht werden.

### VORSICHT

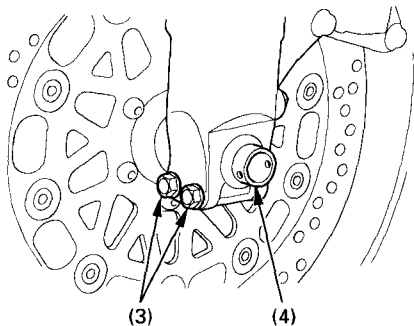
- \* **Um Beschädigung des Bremsschlauchs zu vermeiden, den Bremssattel so abstützen, daß er nicht am Bremsschlauch herunterhängt. Den Bremsschlauch nicht verdrehen.**



- (1) Bremssattel  
(2) Halteschrauben

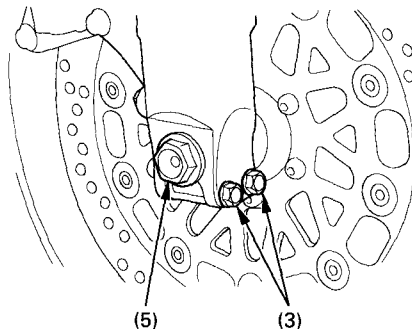
### ZUR BEACHTUNG:

\* Bei ausgebautem Vorderrad nicht den Bremshebel anziehen. Die Bremssattelkolben werden aus den Zylindern herausgedrückt, was mit zusätzlichem Verlust von Bremsflüssigkeit verbunden ist. Sollte dies eintreten, muß das Bremssystem instandgesetzt werden. Lassen Sie diese Arbeit von Ihrem HONDA-Vertragshändler ausführen.



- (3) Achsklemmschrauben
- (4) Vorderachse

3. Die rechte und linke Achsklemmschraube (3) lösen und die Achsschraube (5) entfernen.
4. Die Vorderachse (4) herausziehen und das Vorderrad abnehmen.



- (5) Achsschraube

Einbauhinweise:

Das Vorderrad zwischen die Gabelbeine schieben, und die Achse von links durch das linke Gabelbein und die Radnabe einschieben.

Die Achsschraube mit dem vorgeschriebenen Drehmoment anziehen. Drehmoment der Vorderachse:

60 N·m (6,1 kgf·m)

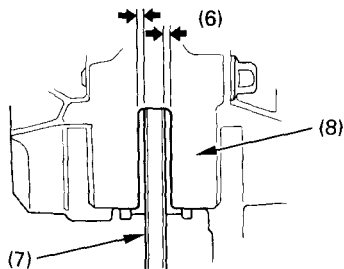
Den Bremsattel über die Bremsscheibe passen und hierbei darauf achten, die Bremsklötze nicht zu beschädigen. Die Bremsattelbefestigungsschrauben einsetzen und anziehen auf:

30 N·m (3,1 kgf·m)

Das Spiel (6) zwischen jeder Oberfläche der Bremsscheibe (7) und dem Bremssattelhalter (8) mit einer 0,7-mm-Fühlerlehre (9) messen (siehe Abbildung).

Wenn sich die Lehre leicht einschieben lässt, die Achsklemmschrauben (3), rechts und links, auf das vorgeschriebene Anzugsdrehmoment anziehen.

Achsklemmschrauben-Anzugsdrehmoment:  
22 N·m (2,2 kgf·m)

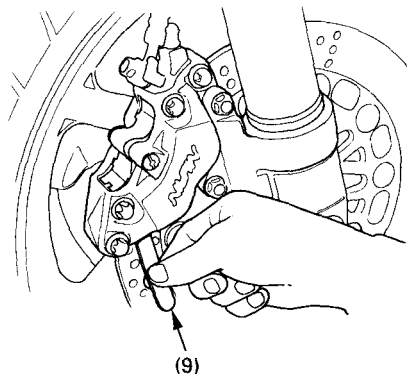


(6) Spiel  
(7) Bremsscheibe

(8) Bremssattelhalter

### **⚠️ WARNUNG**

\* Falls Sie zum Einbauen keinen Drehmomentschlüssel zur Verfügung haben, lassen Sie den Einbau möglichst bald von Ihrem HONDA-Vertragshändler überprüfen. Falscher Einbau kann die Bremsleistung verschlechtern.



(9) Fühlerlehre



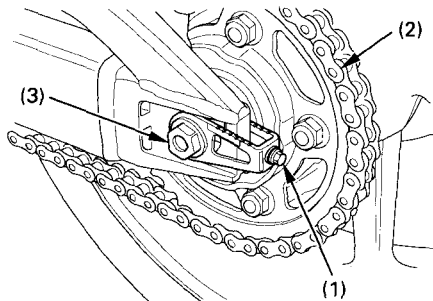
Wenn die Fühlerlehre nicht mühelos eingeschoben werden kann, den Gabelholm nach außen ziehen oder hineindrücken, bis die Lehre eingeschoben werden kann, und die Achsklemmschrauben mit eingeschobener Lehre anziehen. Nach dem Anziehen die Lehre entfernen. Nach dem Einbau des Rads die Bremsen einige Male betätigen und beide Bremsscheiben auf Spiel zwischen Bremssattelhalter und Scheibe nachkontrollieren. Das Motorrad nicht ohne ausreichendes Spiel fahren.

#### **▲ WARNUNG**

- \* Falls kein ausreichendes Spiel zwischen Bremsscheibe und Bremssattelhalter vorhanden ist, kann es zu Beschädigung der Bremsscheiben und Beeinträchtigung der Bremswirkung kommen.

### Ausbau des Hinterrads

1. Das Hinterrad vom Boden abheben und eine Stütze unter den Motor stellen.
2. Die Hinterachsmutter lösen.
3. Die Antriebsketten-Einstellschrauben (1) lösen.
4. Die Hinterachsmutter entfernen.
5. Die Antriebskette (2) vom Abtriebskettenrad entfernen, indem das Hinterrad nach vorne gedrückt wird.



- (1) Einstellschrauben    (3) Achswelle  
(2) Antriebskette

6. Achswelle (3), Seitenhülse und Hinterrad von der Schwinge ausbauen.

### ZUR BEACHTUNG:

- \* Bei ausgebautem Hinterrad nicht das Bremspedal niederdrücken. Die Bremssattelkolben werden aus den Zylindern herausgedrückt, was mit zusätzlichem Verlust von Bremsflüssigkeit verbunden ist. Sollte dies eintreten, muß das Bremssystem instandgesetzt werden. Lassen Sie diese Arbeit von Ihrem HONDA-Vertragshändler ausführen.

#### Einbauhinweise:

Zum Einbauen des Hinterrads die Ausbaureihenfolge umgekehrt anwenden. Die Achsmutter mit dem vorgeschriebenen Drehmoment anziehen.

Drehmoment der Achsmutter:

95 N·m (9,7 kgf·m)

#### **VORSICHT**

- \* Beim Einbauen des Rades die Bremsscheibe vorsichtig zwischen die Bremsbeläge schieben, ohne diese zu beschädigen.

Nach dem Einbau des Rades die Bremse mehrmals betätigen und nach dem Loslassen des Bremshebels prüfen, ob sich das Rad ungehindert dreht. Das Rad nachkontrollieren, wenn es sich nicht ungehindert dreht, oder wenn die Bremse schleift.

#### **▲ WARNUNG**

- \* Falls Sie zum Einbauen keinen Drehmomentschlüssel zur Verfügung haben, lassen Sie den Einbau möglichst bald von Ihrem HONDA-Vertragshändler überprüfen. Falscher Einbau kann die Bremsleistung verschlechtern.

## BREMSBELAGVERSCHLEISS

(Lesen Sie die Wartungshinweise auf Seite 67 durch.)

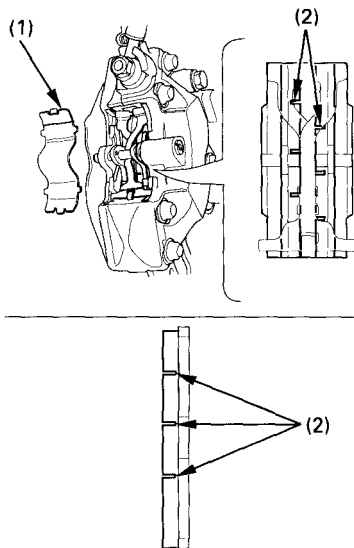
Der Bremsklotzverschleiß hängt von den Einsatzbedingungen, dem Fahrstil und den Straßenbedingungen ab. (Als Faustregel gilt, daß Bremsklötze bei Fahrten auf nassen und schmutzigen Straßen schneller verschleissen.) Die Bremsklötze bei jedem fälligen Kundendienst gemäß Wartungsplan überprüfen (Seite 62).

### Vorderradbremse

Die Abdeckung (1) vom Bremssattel entfernen. Die Nuten (2) in jedem Bremsklotz überprüfen.

Wenn ein Bremsklotz bis zum Boden der Nuten abgenutzt ist, beide Klötze als Satz auswechseln. Lassen Sie diese Wartungsarbeit von Ihrem Honda-Händler durchführen.

### <VORDERRADBREMSE>



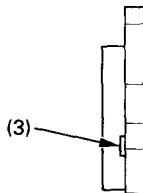
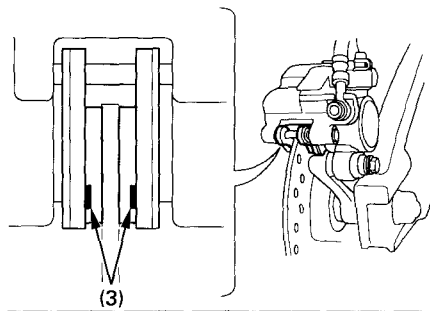
(1) Abdeckung (2) Verschleißanzeigenuten

### Hinterradbremse

Den Ausschnitt (3) in jedem Bremsklotz überprüfen.

Wenn ein Bremsklotz bis zum Ausschnitt abgenutzt ist, beide Klötze als Satz auswechseln. Lassen Sie diese Wartungsarbeit von Ihrem Honda-Händler durchführen.

### < HINTERRADBREMSE >



(3) Ausschnitt

## BATTERIE

(Lesen Sie die Wartungshinweise auf Seite 67 durch.)

Da es sich um eine wartungsfreie (versiegelte) Batterie handelt, erübrigt sich das Kontrollieren des Elektrolytstands oder das Nachfüllen von destilliertem Wasser. Falls Elektrolytschwund festgestellt wird und /oder die Batterie erschöpft zu sein scheint (was sich durch Startschwierigkeiten oder sonstige elektrische Störungen äußert), wenden Sie sich an Ihren HONDA-Vertragshändler.

## VORSICHT

- \* **Nicht versuchen, den Batterie-Verschlußstreifen zu entfernen, da dies zu einer Beschädigung des Verschlußstreifens Undichtigkeit und im Laufe der Zeit zu einem Batterieschaden führen kann.**
- \* **Wenn das Motorrad für längere Zeit außer Betrieb genommen werden soll, die Batterie ausbauen und voll aufladen. Dann die Batterie an einem kühlen, trockenen Ort lagern. Soll die Batterie im Motorrad eingebaut bleiben, das negative Kabel von der Batterie abklemmen.**

## ▲ WARNUNG

- \* **Die Batterie erzeugt explosive Gase. Funken, Flammen und brennende Zigaretten fernhalten. Beim Laden oder Gebrauch der Batterie in einem geschlossenen Raum für ausreichende Belüftung sorgen.**
- \* **Die Batterie enthält Schwefelsäure (Elektrolyt). Der Kontakt mit Schwefelsäure kann schwere Verbrennungen verursachen. Augen und Haut vor Berührung schützen. Beim Umgang mit Batterien schützende Kleidung und Gesichtsschutz tragen.**
  - Falls Elektrolyt auf die Haut gelangt, mit Wasser abspülen.
  - Falls Elektrolyt in die Augen gelangt, mindestens 15 Minuten lang mit Wasser ausspülen und sofort einen Arzt rufen.
- \* **Elektrolyt ist giftig.**
  - Falls Elektrolyt versehentlich geschluckt wird, große Mengen von Wasser oder Milch trinken, anschließend Magnesiummilch oder Pflanzenöl einnehmen und in ärztliche Behandlung begeben.

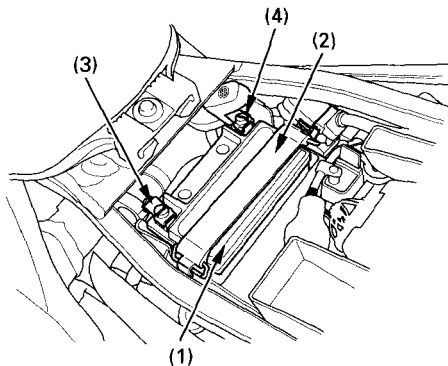
## **⚠ WARNUNG**

- \* AUSSER REICHWEITE VON KINDERN HALTEN.**

### **Ausbau der Batterie**

Die Batterie (1) befindet sich im Batteriekasten unter dem Vordersitz.

1. Den Vordersitz (Seite 40).
2. Das Band (2).
3. Zuerst das negative (-) Kabel (3), dann das positive (+) Kabel (4) von der Batterie abklemmen.
4. Die Batterie aus dem Batteriekasten herausziehen.



- (1) Batterie
- (2) Band
- (3) Negatives (-) Kabel
- (4) Positives (+) Kabel

## AUSWECHSELN DER SICHERUNGEN

(Lesen Sie die Wartungshinweise auf Seite 67 durch.)

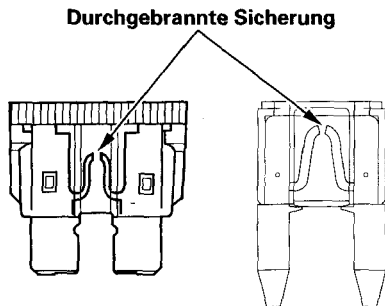
Häufiges Durchbrennen der Sicherungen läßt gewöhnlich auf einen Kurzschluß oder eine Überlastung der elektrischen Anlage schließen. Lassen Sie Reparaturen von Ihrem HONDA-Vertragshändler ausführen.

### VORSICHT

- \* Vor dem Überprüfen oder Auswechseln von Sicherungen die Zündung ausschalten, um einen versehentlichen Kurzschluß zu vermeiden.

### ▲ WARNUNG

- \* Auf keinen Fall eine Sicherung mit einer anderen Nennkapazität als der vorgeschriebenen verwenden. Der Gebrauch einer solchen Sicherung kann zu ernsthafter Beschädigung der elektrischen Anlage oder einem Brand führen, wodurch ein gefährlicher Ausfall der Beleuchtung oder des Motors verursacht werden kann.





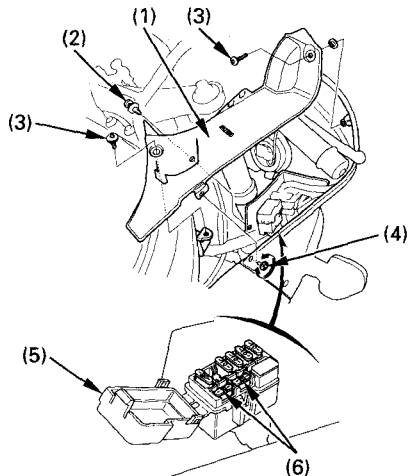
### Sicherungskasten:

Der Sicherungskasten befindet sich unter der rechten oberen Abdeckung (1) an der oberen Verkleidung.

Vorgeschriebene Sicherungen:

10A , 20A

1. Am Ansatz (2) ziehen, und die Schrauben (3) entfernen.
2. Den Clip (4) drehen, und die rechte obere Abdeckung abnehmen.
3. Den Sicherungskastendeckel (5) öffnen.
4. Die alte Sicherung herausziehen und eine neue Sicherung einsetzen.  
Die Reservesicherungen (6) befinden sich im Sicherungskasten.
5. Den Sicherungskastendeckel schließen und die rechte obere Abdeckung anbringen.



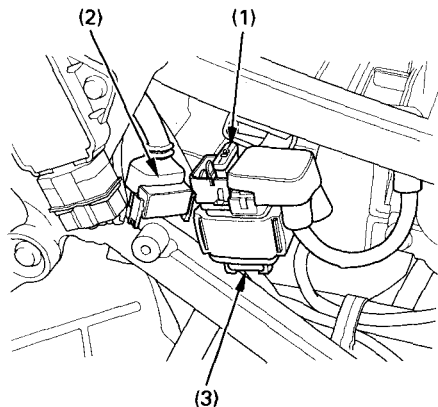
- (1) Rechten oberen Abdeckung
- (2) Ansatz
- (3) Schrauben
- (4) Clip
- (5) Sicherungskastendeckel
- (6) Reservesicherungen

### Hauptsicherung:

Die Hauptsicherung (1) befindet sich hinter dem rechten seitendeckel. Vorgeschriebene sicherung:

30A

1. Vordersitz und Seitendeckel entfernen (Seite 40).
2. Den Kabelsteckverbinder (2) des Anlassermagnetschalters abtrennen.
3. Die alte Sicherung herausziehen und eine neue Sicherung einsetzen.  
Die Reservesicherung (3) befindet sich unter dem Anlassermagnetschalter.
4. Den Steckverbinder wieder anschließen, dann Seitendeckel und Vordersitz anbringen.



- (1) Hauptsicherung
- (2) Kabelsteckverbinder
- (3) Reservesicherung

## **ERSETZEN DER LEUCHTENBIRNE**

(Lesen Sie die Wartungshinweise auf Seite 67 durch.)

### **▲ WARNUNG**

- \* Die Birne erhitzt sich bei eingeschalteter Lampe sehr stark, und bleibt auch nach dem Ausschalten für einige Zeit heiß. Vor Beginn der Arbeiten die Birne unbedingt abkühlen lassen.

### **VORSICHT**

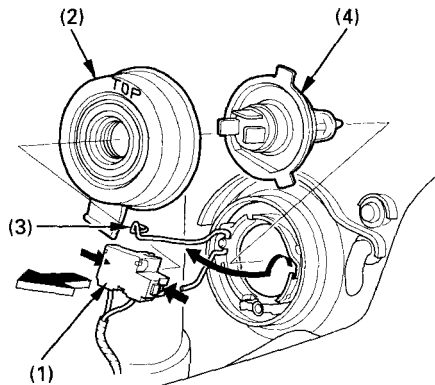
- \* Darauf achten, daß keine Fingerabdrücke auf die Scheinwerferbirne gelangen, da hierdurch überhitzte Stellen auf dem Glaskolben entstehen, die ein frühzeitiges Durchbrennen der Glühlampe verursachen. Beim Ersetzen der Birne saubere Handschuhe tragen. Wenn die Birne versehentlich mit bloßen Händen berührt wird, ist diese mit einem mit Alkohol angefeuchteten Lappen zu reinigen, um ein vorzeitiges Durchbrennen zu vermeiden.

## **ZUR BEACHTUNG:**

- \* Vor dem Ersetzen der Birne unbedingt den Zündschalter auf OFF stellen.
- \* Nur die vorgeschriebenen Birnen verwenden.
- \* Nach dem Einbau einer neuen Birne sich vergewissern, daß die Lampe einwandfrei funktioniert.

### Scheinwerfer-Leuchtenbirne

1. Den Stecker (1) abziehen und dabei nicht drehen.
2. Das Aufnahmegummi (2) entfernen.
3. Die Birne (4) herausnehmen und dabei gleichzeitig auf den Stift (3) drücken.
4. Die Birne (4) ohne zu drehen herausziehen.
5. Eine neue Birne in umgekehrter Reihenfolge des Ausbaus einsetzen.



(1) Stecker

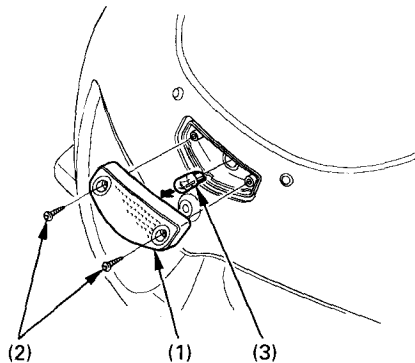
(2) Aufnahmegummi

(3) Stift

(4) Birne

### Position-Leuchtenbirne

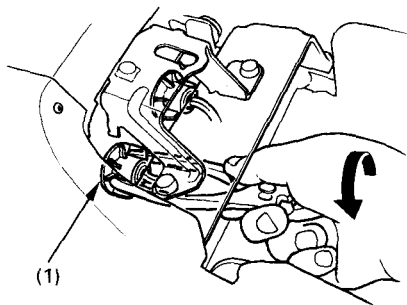
1. Die Positionsluchten-Streuscheibe (1) nach Entfernen der Schrauben (2) abnehmen.
2. Die Glühlampe (3) ohne Drehen herausziehen.
3. Eine neue Glühlampe in der umgekehrten Ausbaureihenfolge einsetzen.



- (1) Positionsluchten-Streuscheibe
- (2) Schrauben
- (3) Glühlampe

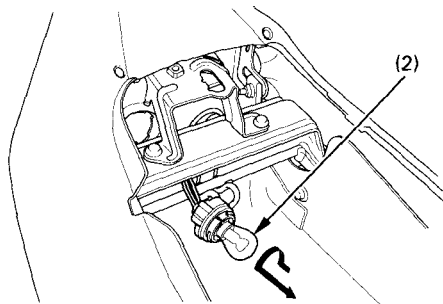
### **Brems-/Schlussleuchtenbirne**

1. Den hinteren Sitz öffnen (Seite 41).
2. Den Stecker (1) um 90° im Gegenuhrzeigersinn drehen, dann nach vorne ziehen.



(1) Stecker

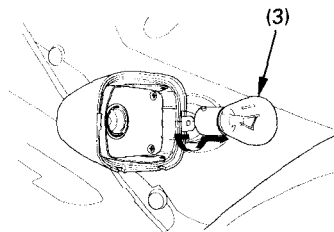
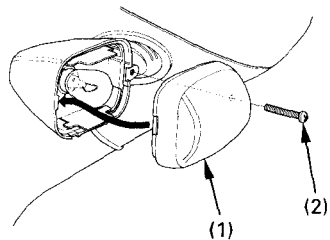
3. Die Birne (2) leicht hineindrücken, im Gegenuhrzeigersinn drehen und herausziehen.
4. Eine neue Birne in umgekehrter Reihenfolge des Ausbaus einsetzen.



(2) Birne

### Vorderen/Hinteren Blinkleuchtenbirne

1. Die Hinterblinker-Streuscheibe (1) nach Entfernen der Schraube (2) abnehmen.
2. Die Glühlampe (3) unter leichtem Drücken im Gegenuhrzeigersinn drehen.
3. Eine neue Glühlampe in der umgekehrten Ausbaureihenfolge einsetzen.



(1) Streuscheibe  
(2) Schraube

(3) Birne

## REINIGEN

Reinigen Sie Ihr Motorrad regelmäßig, um die lackierten Flächen zu schützen, und überprüfen Sie es auf Beschädigung, Verschleiß und Auslaufen von Öl, Kühlmittel oder Bremsflüssigkeit.

### VORSICHT

**\* Hoher Wasser- oder Luftdruck kann bestimmte Bauteile des Motorrads beschädigen.**

Die folgenden Bereiche dürfen nicht mit hohem Wasserdruck (wie er in Münzwaschanlagen vorkommt) gereinigt werden:

- Radnaben
- Zündschalter
- Vergaser
- Bremshauptzylinder
- Instrumente
- Lenkerschalter
- Schalldämpferöffnung
- Unterseite des Kraftstofftanks
- Antriebskette
- Sitzunterseite
- Scheinwerfer

1. Spülen Sie das Motorrad nach dem Reinigen reichlich mit sauberem Wasser ab. Waschmittelreste können an legierten Metallteilen Korrosion hervorrufen.

### ZUR BEACHTUNG:

- \* Verkleidung, Scheinwerferstreuscheibe und andere Kunststoffteile mit einem in milder Seifenlösung angefeuchtetem Tuch oder Schwamm abwischen. Die verschmutzte Oberfläche sorgfältig abwischen und mehrmals mit frischem Wasser abspülen.
- \* Unmittelbar nach dem Waschen des Motorrads kann die Scheinwerfer-Streuscheibe innen beschlagen sein. Feuchtigkeitsniederschlag auf der Innenseite der Scheinwerfer-Streuscheibe verschwindet bei eingeschaltetem Fernlicht allmählich. Während der Scheinwerfer eingeschaltet gelassen wird, den Motor laufen lassen.



2. Das Motorrad trockenwischen, den Motor anlassen und für einige Minuten laufen lassen.

### **▲ WARNUNG**

- \* **Die Bremsleistung kann unmittelbar nach dem Waschen des Motorrads beeinträchtigt sein. Halten Sie ausreichenden Abstand für einen längeren Bremsweg, um einen möglichen Unfall zu vermeiden.**

3. Prüfen Sie die Bremsen, bevor Sie das Motorrad fahren. Lassen Sie die Bremsen eventuell kurz schleifen, um die normale Bremswirkung wiederherzustellen.
4. Schmieren Sie die Antriebskette unmittelbar nach dem Waschen und Trocknen des Motorrads.

### **Pflege der Leichtmetallräder**

Aluminium korrodiert, wenn es mit Staub, Schlamm, Streusalz usw. in Berührung kommt. Reinigen Sie die Räder nach dem Fahren mit einem nassen Schwamm und milder Seifenlauge. Anschließend mit Wasser gut abspülen und mit einem sauberen Lappen trockenreiben.

### **VORSICHT**

- \* **Nicht über Bordsteinkanten fahren oder die Räder an Hindernissen entlangschleifen lassen, weil dadurch die Räder beschädigt werden können.**
- \* **Nicht über Bordsteinkanten fahren oder die Räder an Hindernissen entlangschleifen lassen, weil dadurch die Räder beschädigt werden können.**

## Wartung des Aluminium-Auspuffs

### 〈 Außer E-typ 〉

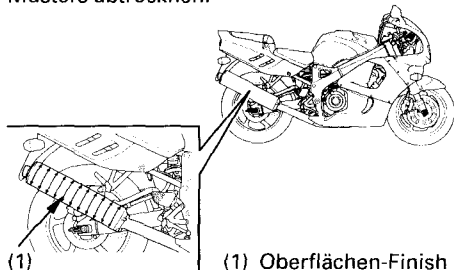
Aluminium korrodiert, wenn es Staub, Schmutz oder Streusalz ausgesetzt ist.

Zum Entfernen von Flecken Scotch Brite Hand Pad #7447 (rotbraun) o.ä. verwenden.

Den Auspuff mit angefeuchtetem Pad in Richtung des Oberflächenfinish-Musters polieren.

Den Auspuff mit einem nassen Schwamm und mit milder Reinigungslösung reinigen, dann gut mit sauberem Wasser abspülen.

Den Auspuff mit einem sauberen weichen Tuch in Richtung des Oberflächenfinish-Musters abtrocknen.



## VORSICHT

\* Einen Aluminium-Auspuff nicht mit Stahlwolle, Poliermitteln oder Wachs behandeln.

Bearbeitung mit Stahlwolle kann zu einer Beschädigung oder Verfärbung der Oberfläche des Auspuffes führen. Poliermittel oder Wachs kann eine Verfärbung verursachen, wenn der Auspuff warm wird.

\* Der Auspuffreiniger (Scotch Brite Hand Pad #7447) ist nur zum Entfernen von Flecken von Aluminium-Auspuffen entwickelt.

\* Unbedingt zuerst den Auspuff abdecken, bevor das Hinterrad mit irgendeinem chemischen Reinigungsmittel gesäubert wird. Versehentlich auf den Auspuff gelangte Chemikalien können dessen Oberfläche angreifen.

## HINWEISE ZUR STILLEGUNG

Längere Lagerung, z. B. während der Wintersaison, erfordert bestimmte Vorkehrungen, um negativen Folgeerscheinungen der Stilllegung des Motorrads vorzubeugen. Außerdem sollten nötige Reparaturen vor der Lagerung des Motorrads durchgeführt werden. Andernfalls könnten diese Reparaturen in Vergessenheit geraten, bis das Motorrad wieder in Betrieb genommen wird.

### AUSSERBETRIEBNAHME

1. Motoröl und Ölfilter wechseln.
2. Sicherstellen, daß das Kühlsystem mit einer Mischung aus Wasser und Frostschutzmittel im Verhältnis 50:50 gefüllt ist.
3. Den Inhalt des Kraftstofftanks mit Hilfe eines handelsüblichen Handabsaugers oder nach einem gleichwertigen Verfahren in einen für Benzin zugelassenen Behälter ablassen. Die Innenseite des Tanks mit Aerosol-Rostschutzöl einsprühen. Den Tankdeckel wieder anbringen.

### ZUR BEACHTUNG:

- \* Falls die Stilllegung länger als einen Monat dauern soll, unbedingt den Vergaser entleeren, damit eine zuverlässige Fahrzeugleistung nach der Stilllegung wieder gewährleistet ist.

### **▲ WARNUNG**

- \* **Benzin ist äußerst feuergefährlich und unter gewissen Bedingungen explosiv. Diese Wartungsarbeiten müssen in einem gut belüfteten Arbeitsbereich und bei abgestelltem Motor vorgenommen werden. Beim Tanken bzw. im Kraftstoff-Aufbewahrungsbereich nicht rauchen; offene Flammen und Funken sind fernzuhalten.**

4. Zur Vermeidung von Rostbildung in den Zylindern:
  - Die Zündkerzenstecker von den Zündkerzen abziehen. Die Zündkerzenstecker mit Band oder Schnur an einem günstig gelegenen Kunststoff-Rahmenteil von den Zündkerzen entfernt sichern.
  - Die Zündkerzen herausdrehen und an sicherer Stelle aufbewahren. Die Zündkerzen nicht in die Zündkerzenstecker stecken.
  - Einen Eßlöffel (15–20 cm<sup>3</sup>) sauberen Motoröls in jeden Zylinder füllen, und die Zündkerzenlöcher mit einem Stoffstück abdecken.
  - Den Motor einige Male durchkurbeln, um das Öl zu verteilen.
  - Zündkerzen und Zündkerzenstecker wieder anbringen.
5. Die Batterie ausbauen und an einem vor Frosttemperaturen und direktem Sonnenlicht geschützten Ort aufbewahren. Die Batterie einmal im Monat langsam aufladen.
6. Das Motorrad waschen und trocknen. Alle lackierten Flächen wachsen. Chromteile mit Rostschutzöl bestreichen.
7. Die Antriebskette schmieren (Seite 81).
8. Die Reifen auf den empfohlenen Fülldruck aufpumpen. Das Motorrad aufbocken, um beide Räder vom Boden abzuheben.
9. Das Motorrad abdecken (kein Plastik oder sonstige beschichtete Stoffe verwenden) und in einem ungeheizten Raum, frei von Feuchtigkeit und mit minimalen täglichen Temperaturschwankungen abstellen. Das Motorrad nicht in direktem Sonnenlicht abstellen.

## **WIEDERINBETRIEBNAHME**

1. Das Motorrad aufdecken und reinigen.  
Das Motoröl wechseln, falls mehr als 4 Monate seit Beginn der Stilllegung vergangen sind.
2. Die Batterie gegebenenfalls laden. Die Batterie einbauen.
3. Überschüssiges Rostschutzöl vom Kraftstofftank ablassen. Den Kraftstofftank mit frischem Benzin füllen.
4. Alle Kontrollen der Überprüfung vor dem Fahren (Seite 49) durchführen.  
Das Motorrad mit niedrigen Drehzahlen in einem sicheren Fahrgeliet abseits vom Verkehr probefahren.

## TECHNISCHE DATEN

### ABMESSUNGEN

Gesamtlänge	2.135 mm ...G, AR, SW, SD, ND 2.030 mm ...E, F, ED, U, IT, MX
Gesamtbreite	675 mm
Gesamthöhe	1.130 mm
Radstand	1.405 mm ...Außer MX 1.400 mm ...MX

### GEWICHT

Trockengewicht	183 kg ...Außer AR, SW 184 kg ...AR, SW
----------------	--

### ZULADUNG UND FÜLLMENGEN

Motoröl	
(Bei Ölwechsel)	3,5 l
(Bei Öl-und Ölfilterwechsel)	3,6 l
(Nach Zerlegung)	4,4 l
Kraftstofftank	18,0 l
Reservekraftstoff	3,0 l
Kühlsystem	2,77 l
Zahl der Sitzplätze	Fahrer und Beifahrer
Zulässiges Zuladungsgewicht	186 kg ...Außer AR, SW 185 kg ...AR, SW

## MOTOR

Bohrung und Hub	71,0 × 58,0 mm
Verdichtungsverhältnis	11,1 : 1
Hubraum	919 cm <sup>3</sup>
Zündkerze	
Standard	CR9EH-9 (NGK) oder U27FER 9 (NIPPONDENSO)
Für kaltes klima (unter 5° C)	CR8EH-9 (NGK) oder U24FER 9 (NIPPONDENSO)
Elektrodenabstand	0,80 – 0,90 mm
Leerlaufdrehzahl	1.100 ± 100 min <sup>-1</sup> (U/min)...Außer SW 1.100 ± 50 min <sup>-1</sup> (U/min)...SW
Ventilspiel (kalt)	Einlaß 0,16 mm Auslaß 0,22 mm

## **FAHRGESTELL UND FEDERUNG**

Nachlaufwinkel	24°
Nachlaufbetrag	90 mm
Reifengröße, vorne	130/70 ZR16
Reifengröße, hinten	180/55 ZR17

## **KRAFTÜBERTRAGUNG**

Primäruntersetzung	1,520
Gangabstufung 1. Gang	2,727
2. Gang	1,933
3. Gang	1,600
4. Gang	1,400
5. Gang	1,263
6. Gang	1,166
Enduntersetzung	2,625 ...Außer MX
	2,687 ...MX



## **ELEKTRIK**

Batterie	12V – 8AH
Lichtmaschine	0,384 kw

## **BELEUCHTUNG**

Scheinwerfer	12V – 60/55W...Außer U	
	12V – 45/45W...U	
Schluß-/Bremslicht	12V – 5/21W	
Blinklicht	Vorn	12V – 21W
	Hinten	12V – 21W
Instrumentenbeleuchtung	12V – 1,7W	
Leerlauf-Anzeige	12V – 1,7W	
Blinker-Anzeige	12V – 1,7W	
Fernlicht-Anzeige	12V – 1,7W	
Anzeige für niedrigen Öldruck	12V – 1,7W	
Seitenständer-Anzeige	12V – 1,7W	
Standlicht	12V – 5W	

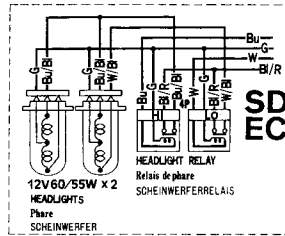
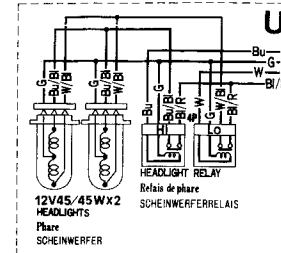
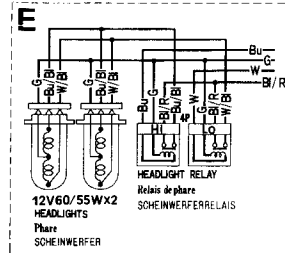
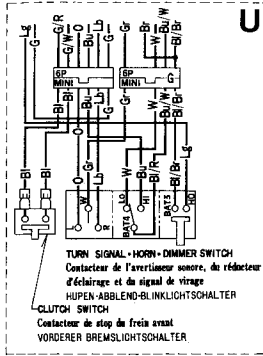
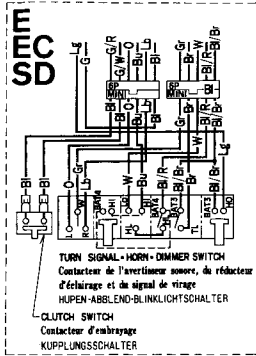
## **SICHERUNG**

Hauptsicherung	30A
Andere Sicherugen	10A , 20A





# CBR900RR



## SWITCH CONTINUITY Raccordement des contacteurs ANORDNUNG DER SCHALTER

**IGNITION SWITCH**  
Contacteur principal  
ZUNDSCHALTER

	FAN	IG	BAT1
ON	○	○	○
OFF			
LOCK			

**TURN SIGNAL SWITCH**  
Contacteur de clignotant  
BLINKLICHTSCHALTER

	W	R	L
R	○	○	
N			
L	○		

**DIMMER SWITCH**  
Réducteur d'éclairage  
ABBLENDSCHALTER

	HL	Lo	Hi
Lo	○	○	
(N)	○	○	
Hi	○		

**HORN SWITCH**  
Bouton d'avertisseur  
HUPENSCHALTER

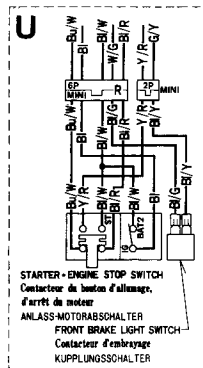
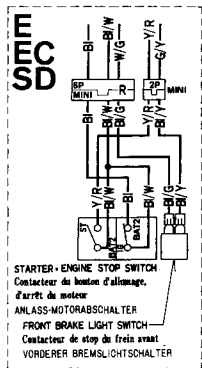
	HO	BAT5
FREE		
PUSH	○	

**LIGHTING SWITCH**  
Contacteur d'éclairage  
BELEUCHUNGSSCHALTER

	BAT3	TL	BAT4	HL
*				
P	○	○		
H	○	○	○	

**PASSING SWITCH**  
Contacteur du frein de débrayement  
ÜBERHOLSCHALTER

	BAT4	Hi
FREE		
PUSH	○	



**ENGINE STOP SWITCH**  
Contacteur d'arrêt du moteur  
MOTORABSCHALTER

	IG	BAT2
OFF		
RUN	○	

**STARTER SWITCH**  
Bouton de contact  
ANLASSSCHALTER

	ST	BAT2
FREE		
PUSH	○	

**ENGINE STOP SWITCH**  
Contacteur d'arrêt du moteur  
MOTORABSCHALTER

	IG	BAT2
OFF		
RUN	○	

**STARTER SWITCH**  
Bouton de contact  
ANLASSSCHALTER

	ST	BAT2	HL
FREE		○	
PUSH	○		



**HONDA MOTOR CO., LTD.**

37MAS600  
00X37-MAS-6000



英 仏 独 Y HC 20009509T  
PRINTED IN JAPAN