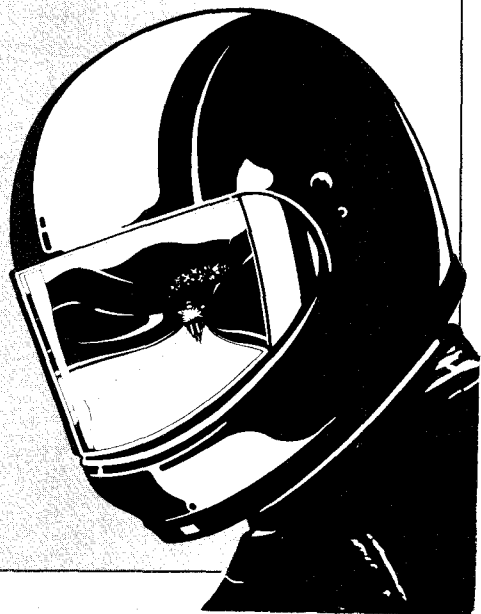


# HONDA

OWNER'S MANUAL  
MANUEL DU CONDUCTEUR  
FAHRER-HANDBUCH



CB SevenFifty



**HONDA**

**CB750F2**

**CB SevenFifty**

**OWNER'S MANUAL**

**MANUEL DU CONDUCTEUR**

**FAHRER-HANDBUCH**

## IMPORTANT NOTICE

- **OPERATOR AND PASSENGER**

This motorcycle is designed to carry the operator and one passenger. Never exceed the maximum weight capacity as shown on the tyre information label.

- **ON-ROAD USE**

This motorcycle is designed to be used only on the road.

- **READ THIS OWNER'S MANUAL CAREFULLY**

Pay special attention to statements preceded by the following words:

**▲ WARNING**

**Indicates a strong possibility of severe personal injury or death if instructions are not followed.**

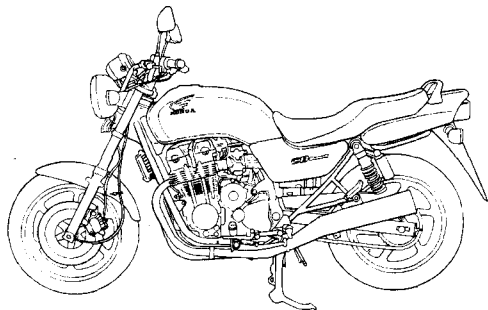
**CAUTION:**

**Indicates a possibility of personal injury or equipment damage if instructions are not followed.**

**NOTE:** Gives helpful information.

This manual should be considered a permanent part of the motorcycle and should remain with the motorcycle when resold.

**HONDA CB750F2  
CB SevenFifty  
OWNER'S MANUAL**



**All information in this publication is based on the latest production information available at the time of approval for printing. HONDA MOTOR CO.,LTD. reserves the right to make changes at any time without notice and without incurring any obligation.**

**No part of this publication may be reproduced without written permission.**

## WELCOME

The motorcycle presents you a challenge to master the machine, a challenge to adventure. You ride through the wind, linked to the road by a vehicle that responds to your commands as no other does. Unlike an automobile, there is no metal cage around you. Like an airplane, a pre-ride inspection and regular maintenance are essential to your safety. Your reward is freedom.

To meet the challenges safely, and to enjoy the adventure fully, you should become thoroughly familiar with this owner's manual **BEFORE YOU RIDE THE MOTORCYCLE**.

When service is required, remember that your Honda dealer knows your motorcycle best. If you have the required mechanical "know-how" and tools, your dealer can supply you with an official Honda Service Manual to help you perform many maintenance and repair tasks.

Pleasant riding, and thank you for choosing a Honda !

Following codes in this manual indicate each country.

AR	Austria	F	France	SP	Spain	
E	UK	I G	Germany I		Canary Islands	
ED	European direct sales Belgium Italy Holland Portugal Greece			Finland	U	Australia New Zealand
				Denmark		
				Norway	II G	Germany II
					Sweden	
		III G	Germany III			
		SW	Switzerland			

- \* IG...Full power type
- \* II G...Limited power type
- \* III G...Limited power type

- The specifications may vary with each locale.

# OPERATION

page		page	
1	<b>MOTORCYCLE SAFETY</b>	28	Right Handlebar Controls
1	Safe Riding Rules	29	Left Handlebar Controls
2	Protective Apparel		
2	Modifications	30	<b>FEATURES</b>
3	Loading and Accessories		(Not required for operation)
		30	Steering Lock
6	<b>PARTS LOCATION</b>	31	Helmet Holder
9	Instruments and Indicators	32	Seat
		32	Document Compartment
12	<b>MAJOR COMPONENTS</b>	33	Side Cover
	(Information you need to operate this motorcycle)		
12	Suspension	34	<b>OPERATION</b>
13	Brakes	34	Pre-ride Inspection
17	Clutch	35	Starting the Engine
19	Fuel	38	Running-in
23	Engine Oil	39	Riding
24	Tubeless Tyres	41	Braking
		42	Parking
27	<b>ESSENTIAL INDIVIDUAL COMPONENTS</b>	42	Anti-theft Tips
27	Ignition Switch		

# MAINTENANCE

page	
43	MAINTENANCE
44	Maintenance Schedule
47	Tool Kit
48	Serial Numbers
49	Colour Label
50	Maintenance Precautions
51	Engine Oil
54	Crankcase Breather
55	Spark Plugs
57	Throttle Operation
58	Idle Speed
59	Air Cleaner
60	Drive Chain
65	Drive Chain Slider
66	Side Stand
67	Wheel Removal
74	Brake Pad Wear
76	Battery
79	Fuse Replacement
81	Bulb Replacement

page	
87	CLEANING
89	STORAGE GUIDE
89	Storage
90	Removal from Storage
91	SPECIFICATIONS
95	NOISE CONTROL SYSTEM (AUSTRALIA ONLY)



# MOTORCYCLE SAFETY

## ▲ WARNING

**\* Motorcycle riding requires special efforts on your part to ensure your safety. Know these requirements before you ride:**

### SAFE RIDING RULES

1. Always make a pre-ride inspection (page 34 ) before you start the engine. You may prevent an accident or equipment damage.
2. Many accidents involve inexperienced riders. Most countries require a special motorcycle riding test or license. Make sure you are qualified before you ride. NEVER lend your motorcycle to an inexperienced rider.
3. Many automobile/motorcycle accidents happen because the automobile driver does not “see” the motorcyclist. Make yourself conspicuous to help avoid the accident that wasn't your fault:
  - Wear bright or reflective clothing.
  - Don't ride in another motorist's “blind spot.”

4. Obey all national and local laws and regulations.
  - Excessive speed is a factor in many accidents. Obey the speed limits, and NEVER travel faster than conditions warrant.
  - Signal before you make a turn or lane change. Your size and maneuverability can surprise other motorists.
5. Don't let other motorists surprise you. Use extra caution at intersections, parking lot entrances and exits, and driveways.
6. Keep both hands on the handlebars and both feet on the footpegs while riding. A passenger should hold on to the motorcycle or the operator with both hands and keep both feet on the passenger footpegs.

## PROTECTIVE APPAREL

1. Most motorcycle accident fatalities are due to head injuries: ALWAYS wear a helmet. You should also wear a face shield or goggles as well as boots, gloves and protective clothing. A passenger needs the same protection.
2. The exhaust system becomes hot during operation, and it remains hot for a while after stopping the engine. Be careful not to touch the exhaust system while it is hot. Wear clothing that fully covers your legs.
3. Do not wear loose clothing which could catch on the control levers, footpegs, drive chain or wheels.

## MODIFICATIONS

### **▲ WARNING**

- \* **Modification of the motorcycle, or removal of original equipment, may render the vehicle unsafe or illegal. Obey all national and local equipment regulations.**

## LOADING AND ACCESSORIES

### **▲ WARNING**

**\*To prevent an accident, use extreme care when adding and riding with accessories and cargo. Addition of accessories and cargo can reduce a motorcycle's stability, performance and safe operating speed. Never ride an accessory-equipped motorcycle at speeds above 130 km/h (80 mph). And remember that this 130 km/h (80 mph) limit may be reduced by installation of non-Honda accessories, improper loading, worn tyres and overall motorcycle condition, poor road or weather conditions. These general guidelines may help you decide whether or how to equip your motorcycle and how to load it safely.**

### **Loading**

The combined weight of the rider, passenger, cargo and additional accessories must not exceed the maximum weight capacity:

**190 kg (419 lbs)**

Cargo weight alone should not exceed:

**27 kg (60 lbs)**

1. Keep cargo and accessory weight low and close to the center of the motorcycle. Load weight equally on both sides to minimize imbalance. As weight is located further from the motorcycle's center of gravity, handling is proportionally affected.
2. Adjust tyre pressure (page 24 ) and rear suspension (page 12 ) to suit load weight and riding conditions.

3. Vehicle handling and stability can be adversely affected by loose cargo. Recheck cargo security and accessory mounts frequently.
4. Do not attach large or heavy items (such as a sleeping bag or tent) to the handlebars, fork, or fender. Unstable handling or slow steering response may result.

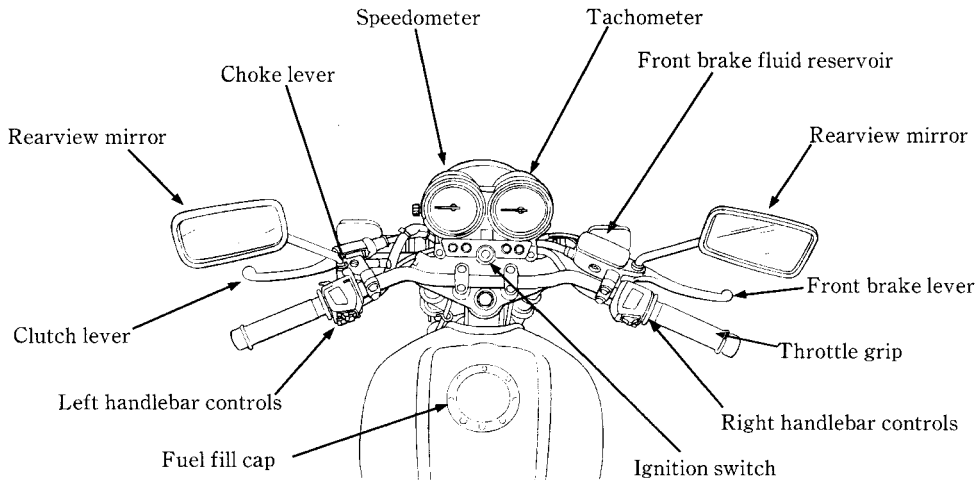
### **Accessories**

Genuine Honda accessories have been specifically designed for and tested on this motorcycle. Because the factory cannot test all other accessories, you are personally responsible for proper selection, installation, and use of non-Honda accessories. Always follow the guidelines under Loading, and these:

1. Carefully inspect the accessory to make sure it does not obscure any lights, reduce ground clearance and banking angle, or limit suspension travel, steering travel or control operation.
2. Large fork-mounted fairings or windshields, or poorly designed or improperly mounted fairings can produce aerodynamic forces that cause unstable handling. Do not install fairings that decrease cooling air flow to the engine.

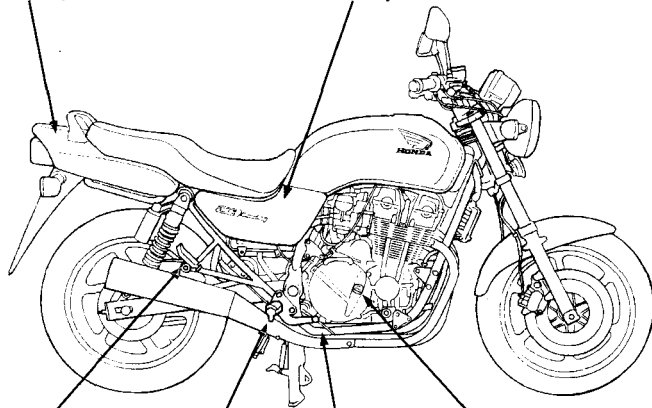
3. Accessories which alter your riding position by moving hands or feet away from controls may increase reaction time in an emergency.
4. Do not add electrical equipment that will exceed the motorcycle's electrical system capacity. A blown fuse could cause a dangerous loss of lights or engine power.
5. This motorcycle was not designed to pull a sidecar or trailer. Handling may be seriously impaired if so equipped.

# PARTS LOCATION



Document compartment

Battery

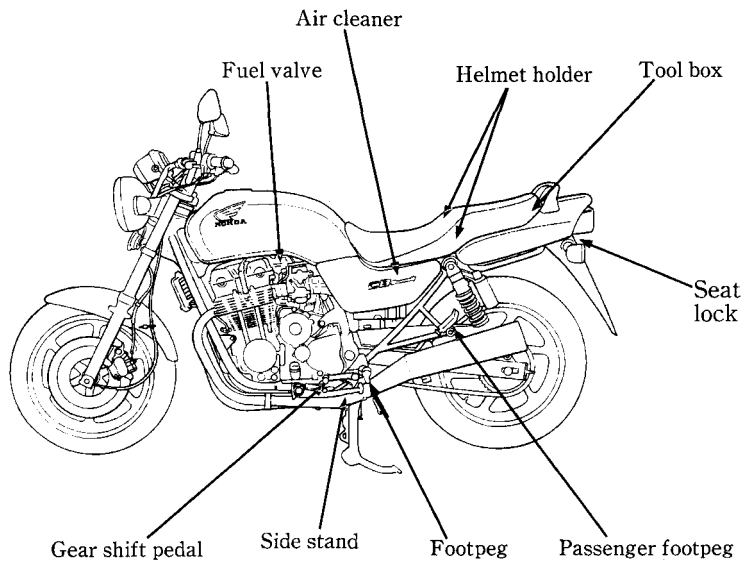


Passenger footpeg

Footpeg

Rear brake pedal

Oil filler cap/dipstick

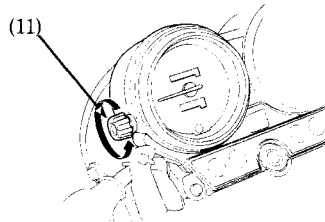
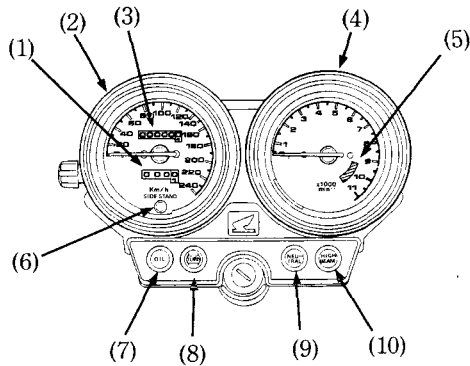




## INSTRUMENTS AND INDICATORS

The indicators are contained in the instrument panel. Their functions are described in the tables on the following pages.

- (1) Tripmeter
- (2) Speedometer
- (3) Odometer
- (4) Tachometer
- (5) Tachometer red zone
- (6) Side stand indicator
- (7) Low oil pressure indicator
- (8) Turn signal indicator
- (9) Neutral indicator
- (10) High beam indicator
- (11) Tripmeter reset knob



<b>(Ref.No.) Description</b>	<b>Function</b>
(1) Tripmeter	Shows mileage per trip.
(2) Speedometer	Shows riding speed.
(3) Odometer	Shows accumulated mileage.
(4) Tachometer	Shows engine rpm.
(5) Tachometer red zone	<p>Never allow the tachometer needle to enter the red zone, even after the engine has been broken in.</p> <p><b>CAUTION:</b></p> <p><b>* Running the engine beyond recommended maximum engine speed (tachometer red zone) can damage the engine.</b></p>
(6) Side stand indicator	<p>Lights when the side stand is put down.</p> <p>Before parking, check that the side stand is fully down; the light only indicates the side stand ignition cut-off system (page 35) is activated.</p>

(Ref.No.) Description	Function
(7) Low oil pressure indicator	<p>Lights when the engine oil pressure is below the normal operating range. Should light when ignition switch is ON and engine is not running. Should go out when the engine starts, except for occasional flickering at or near idling speed when engine is warm.</p> <p><b>CAUTION:</b>  * <b>Running the engine with insufficient oil pressure may cause serious engine damage.</b></p>
(8) Turn signal indicator	Flashes when either turn signal is operated.
(9) Neutral indicator (green)	Lights when the transmission is in neutral.
(10) High beam indicator (blue)	Lights when the headlight is on high beam.
(11) Tripmeter reset knob	Resets tripmeter to zero (0). Turn knob in direction shown.

## MAJOR COMPONENTS (Information you need to operate this motorcycle)

### ▲ WARNING

**\* If the Pre-ride Inspection (page 34) is not performed, severe personal injury or vehicle damage may result.**

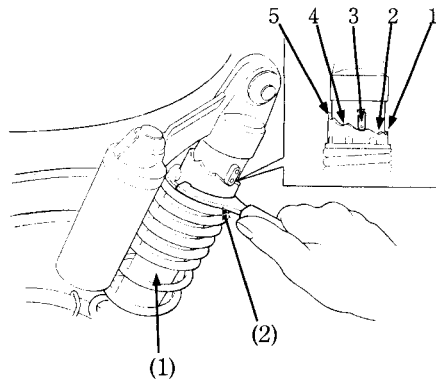
### SUSPENSION

Each shock absorber (1) has 5 adjustment positions for different load or riding conditions.

Use a pin spanner (2) to adjust the rear shocks.

Position 1 is for light loads and smooth road conditions. Positions 2 to 5 increase spring preload for a stiffer rear suspension, and can be used when the motorcycle is heavily loaded. Be certain to adjust both shock absorbers to the same position.

Standard position: 2



- (1) Shock absorber
- (2) Pin spanner

## **BRAKES**

Both the front and rear brakes are the hydraulic disc types.

As the brake pads wear, the brake fluid level drops.

There are no adjustments to perform, but fluid level and pad wear must be inspected periodically. The system must be inspected frequently to ensure there are no fluid leaks. If the control lever or pedal free travel becomes excessive and the brake pads are not worn beyond the recommended limit (page 74), there is probably air in the brake system and it must be bled. See your authorized Honda dealer for this service.

### Front Brake Fluid Level:

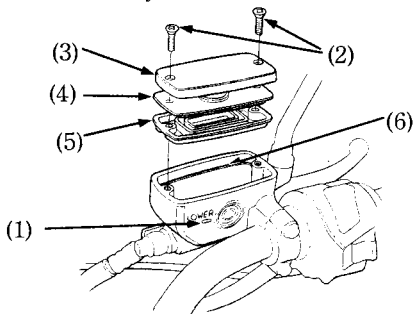
#### **▲ WARNING**

- \* **Brake fluid may cause irritation. Avoid contact with skin or eyes. In case of contact, flush thoroughly with water and call a doctor if your eyes were exposed.**
- \* **KEEP OUT OF REACH OF CHILDREN.**

#### **CAUTION:**

- \* **Handle brake fluid with care because it can damage plastic and painted surfaces.**
- \* **When adding brake fluid, be sure the reservoir is horizontal before the cap is removed or brake fluid may spill out.**
- \* **Use only DOT 4 brake fluid from a sealed container.**
- \* **Never allow contaminants such as dirt or water to enter the brake fluid reservoir.**

Brake fluid must be added to the reservoir whenever the fluid level begins to reach the LOWER level mark (1). Remove the screws (2), reservoir cover (3), diaphragm plate (4), and diaphragm (5). Fill the reservoir with DOT 4 BRAKE FLUID from a sealed container up to the upper level mark (6). Reinstall the diaphragm, diaphragm plate, and cover. Tighten the screws securely.



- |                      |                      |
|----------------------|----------------------|
| (1) LOWER level mark | (4) Diaphragm plate  |
| (2) Screws           | (5) Diaphragm        |
| (3) Reservoir cover  | (6) UPPER level mark |

## Rear Brake

### Rear Brake Fluid Level:

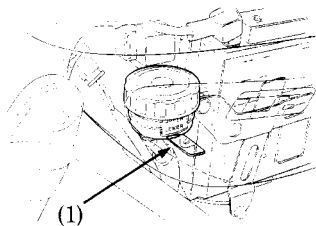
#### **▲ WARNING**

- \* Brake fluid may cause irritation. Avoid contact with skin or eyes. In case of contact, flush thoroughly with water and call a doctor if your eyes were exposed.
- \* KEEP OUT OF REACH OF CHILDREN.

#### **CAUTION:**

- \* Handle brake fluid with care because it can damage plastic and painted surfaces.
- \* When adding brake fluid, be sure the reservoir is horizontal before the cap is removed or brake fluid may spill out.
- \* Use only DOT 4 brake fluid from a sealed container.
- \* Never allow contaminants such as dirt or water to enter the brake fluid reservoir.

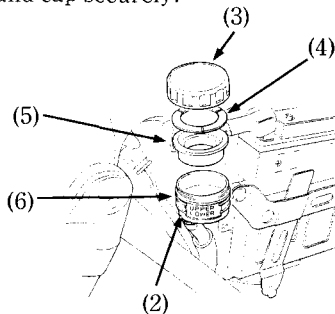
Check the brake fluid level from the inspection window (1) of the right side cover with the motorcycle in an upright position.



(1) Inspection window

Brake fluid must be added to the reservoir whenever the fluid level begins to reach the LOWER level mark (2). Remove the right side cover (page 33). Remove the reservoir cap (3), diaphragm plate (4), and diaphragm (5). Fill the reservoir with

DOT 4 BRAKE FLUID from a sealed container up to the UPPER level mark (6). Reinstall the diaphragm, diaphragm plate and cap securely.



(2) LOWER level mark (5) Diaphragm  
(3) Reservoir cap (6) UPPER level mark  
(4) Diaphragm plate

Other Checks:

Make sure there are no fluid leaks. Check for deterioration or cracks in the hoses and fittings.

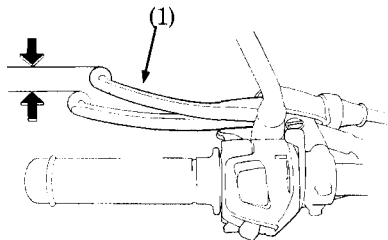


## CLUTCH

Clutch adjustment may be required if the motorcycle stalls when shifting into gear or tends to creep; or if the clutch slips, causing acceleration to lag behind engine speed. Minor adjustments can be made with the clutch cable adjuster (4) at the lever (1).

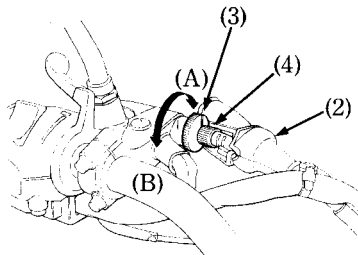
Normal clutch lever free play is:

10–20 mm (0.4–0.8 in)



(1) Clutch lever

1. Pull back the rubber dust cover (2). Loosen the lock nut (3) and turn the adjuster (4). Tighten the lock nut (3) and check the adjustment.
2. If the adjuster is threaded out near its limit or if the correct free play cannot be obtained, loosen the lock nut (3) and turn in the cable adjuster (4) completely. Tighten the lock nut (3) and install the dust cover.



(2) Dust cover

(3) Lock nut

(4) Clutch cable adjuster

(A) Increase free play

(B) Decrease free play

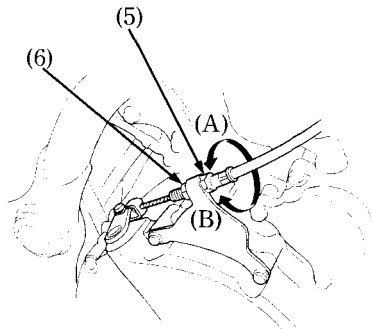
- Loosen the lock nut (6) at the lower end of the cable. Turn the adjusting nut (5) to obtain the specified free play. Tighten the lock nut (6) and check the adjustment.
- Start the engine, pull in the clutch lever and shift into gear. Make sure the engine does not stall and the motorcycle does not creep. Gradually release the clutch lever and open the throttle. The motorcycle should begin to move smoothly and accelerate gradually.

**NOTE:**

\* If proper adjustment cannot be obtained or the clutch does not work correctly, see your authorized Honda dealer.

Other Checks:

Check the clutch cable for kinks or signs of wear that could cause sticking or failure. Lubricate the clutch cable with a commercially available cable lubricant to prevent premature wear and corrosion.



(5) Adjusting nut

(6) Lock nut

(A) Increase free play

(B) Decrease free play

## FUEL OFF

With the fuel cock in the OFF position, fuel cannot flow from the tank to the carburetor. Turn the cock OFF whenever the motorcycle is not in use.

## ON

With the fuel cock in the ON position, fuel will flow from the main fuel supply to the carburetor.

## RES

With the fuel cock in the RES position, fuel will flow from the reserve fuel supply to the carburetor. Use the reserve fuel only when the main supply is gone. Refill the tank as soon as possible after switching to RES.

The reserve fuel supply is:

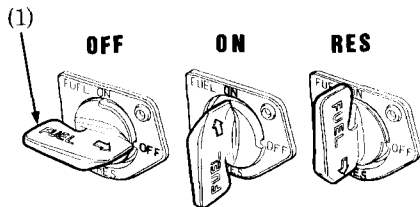
3.0 ℓ (0.79 US gal , 0.66 Imp gal)

## ▲ WARNING

\* **To avoid running out of fuel that may result in a sudden stop, learn how to operate the fuel cock when riding the motorcycle.**

## NOTE:

\* Remember to check that the fuel cock is in the ON position each time you refuel. If the cock is left in the RES position, you may run out of fuel with no reserve.



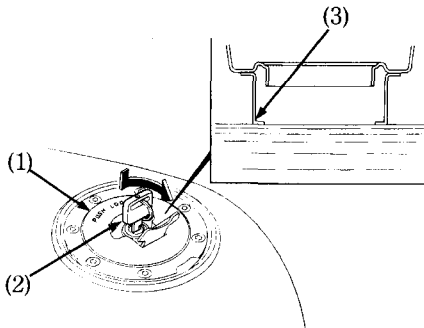
(1) Fuel valve

## Fuel Tank

The fuel tank capacity including the reserve supply is:

20.0 ℓ (5.28 US gal , 4.40 Imp gal)

To open the fuel fill cap (1), insert the ignition key (2) and turn it clockwise. The fuel fill cap is hinged and will lift up.



- (1) Fuel fill cap
- (2) Ignition key
- (3) Filler neck

20

After refueling, to close the fuel fill cap, push the fuel fill cap into the filler neck until it snaps closed and locks. Remove the key.

Use unleaded or low-lead petrol with a research octane number of 91 or higher. We recommend that you use unleaded petrol because it produces fewer engine and spark plug deposits and extends the life of exhaust system components.

**FOR AUSTRALIA ONLY:**

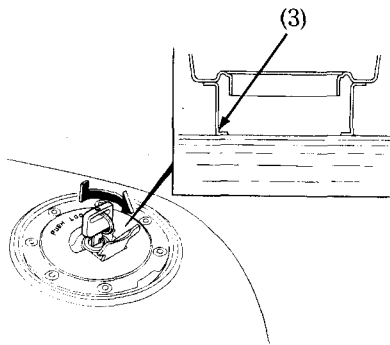
Use unleaded petrol with a research octane number of 91 or higher.

### **CAUTION:**

\* If “spark knock” or “pinking” occurs at a steady engine speed under normal load, change brands of petrol. If spark knock or pinking persists, consult your authorized Honda dealer. Failure to do so is considered misuse, and damage caused by misuse is not covered by Honda’s Limited Warranty.

**▲ WARNING**

- \* Petrol is extremely flammable and is explosive under certain conditions. Refuel in a well-ventilated area with the engine stopped. Do not smoke or allow flames or sparks in the area where petrol is stored or where the fuel tank is refueled.
- \* Do not overfill the tank (there should be no fuel in the filler neck (3)). After refueling, make sure the fuel fill cap is closed securely.
- \* Be careful not to spill fuel when refueling. Spilled fuel or fuel vapor may ignite. If any fuel is spilled, make sure the area is dry before starting the engine.
- \* Avoid repeated or prolonged contact with skin or breathing of vapor. **KEEP OUT OF REACH OF CHILDREN.**



(3) Filler neck

### **Petrol Containing Alcohol**

If you decide to use a petrol containing alcohol (gasohol), be sure it's octane rating is at least as high as that recommended by Honda. There are two types of "gasohol": one containing ethanol, and the other containing methanol. Do not use petrol that contains more than 10% ethanol. Do not use petrol containing methanol (methyl or wood alcohol) that does not also contain cosolvents and corrosion inhibitors for methanol. Never use petrol containing more than 5% methanol, even if it has cosolvents and corrosion inhibitors.

### **NOTE:**

- \* Fuel system damage or engine performance problems resulting from the use of fuels that contain alcohol is not covered under the warranty. Honda cannot endorse the use of fuels containing methanol since evidence of their suitability is as yet incomplete.
- \* Before buying fuel from an unfamiliar station, try to find out if the fuel contains alcohol. If it does, confirm the type and percentage of alcohol used. If you notice any undesirable operating symptoms while using a petrol that contains alcohol, or one that you think contains alcohol, switch to a petrol that you know does not contain alcohol.

## ENGINE OIL

### Engine Oil Level Check

Check the engine oil level each day before riding the motorcycle.

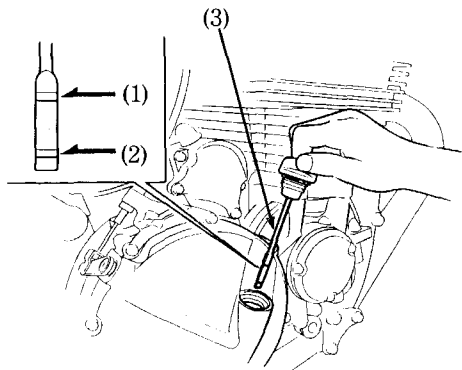
The level must be maintained between the upper (1) and lower (2) level marks on the dipstick (3).

1. Start the engine and let it idle for a few minutes. Make sure the oil pressure warning red light goes off. If the light remains on, stop the engine immediately.
2. Stop the engine and hold the motorcycle in an upright position on firm, level ground.
3. After a few minutes, remove the oil filler cap/dipstick, wipe it clean, and reinsert the dipstick without screwing it in. Remove the dipstick. The oil level should be between the upper and lower marks on the dipstick.
4. If required, add the specified oil (see page 51) up to the upper level mark. Do not overfill.

5. Reinstall the oil filler cap/dipstick. Check for oil leaks.

### CAUTION:

**\* Running the engine with insufficient oil pressure may cause serious engine damage.**



- (1) Upper level mark
- (2) Lower level mark
- (3) Oil filler cap/dipstick

## TUBELESS TYRES

This motorcycle is equipped with tubeless tyres, valves, and wheel rims. Use only tyres marked "TUBELESS" and tubeless valves on rims marked "TUBELESS TYRE APPLICABLE."

Proper air pressure will provide maximum stability, riding comfort and tyre life.

Check tyre pressure frequently and adjust if necessary.

### NOTE:

- \* Tyre pressure should be checked before you ride while the tyres are "cold".
- \* Tubeless tyres have some degree of selfsealing ability if they are punctured, and leakage is often very slow. Inspect very closely for punctures, especially if the tyre is not fully inflated.

Tyre size		
Front	120/70R17 58V 120/70ZR17	DUNLOP MICHELIN
Rear	150/70R17 69V 150/70ZR17	DUNLOP MICHELIN
Cold tyre pressures kPa (kg/cm <sup>2</sup> , psi)		
Driver only	Front	250 (2.50 , 36)
	Rear	250 (2.50 , 36)
Driver and one passenger	Front	250 (2.50 , 36)
	Rear	290 (2.90 , 42)
Tyre brand TUBELESS ONLY		
DUNLOP	Front	D202F
	Rear	D202
MICHELIN	Front	A89X
	Rear	M89X



Check the tyres for cuts, embedded nails or other sharp objects. Check the rims for dents or deformation. If there is any damage, see your authorized Honda dealer for repair, replacement, and balancing.

**▲ WARNING**

- \* **Improper tyre inflation will cause abnormal tread wear and create a safety hazard. Underinflation may result in the tyre slipping on, or coming off of the rim causing tyre deflation that may result in a loss of vehicle control.**
- \* **Operation with excessively worn tyres is hazardous and will adversely affect traction and handling.**

Replace tyres before tread depth at the center of the tyre reaches the following limit:

Minimum tread depth	
Front:	1.5 mm (0.059 in)
Rear:	2.0 mm (0.079 in)

NOTE: 〈For Germany〉

- \* German law prohibits use of tyres whose tread depth is less than 1.6 mm.

## **Tyre Repair/Replacement:**

See your authorized Honda Dealer.

### **▲WARNING**

- \* The use of tyres other than those listed on the tyre information label may adversely affect handling.
- \* Do not install tube-type tyres on tubeless rims. The beads may not seat and the tyres could slip on the rims, causing tyre deflation that may result in a loss of vehicle control.
- \* Do not install a tube inside a tubeless tyre. Excessive heat build-up may cause the tube to burst resulting in rapid tyre deflation that may result in a loss of vehicle control.
- \* Replace the tyre if the sidewall is punctured or damaged. Sidewall flexing may cause repair failure and tyre deflation that may result in a loss of vehicle control.

### **▲WARNING**

- \* Proper wheel balance is necessary for safe, stable handling of the motorcycle. Do not remove or change any wheel balance weights. When wheel balancing is required, see your authorized Honda dealer. Wheel balancing is required after tyre repair or replacement.
- \* To avoid possible repair failure and tyre deflation that may result in a loss of vehicle control, do not exceed 80 km/h (50 mph) for the first 24 hours, or 130 km/h (80 mph) at any time, after tyre repair.

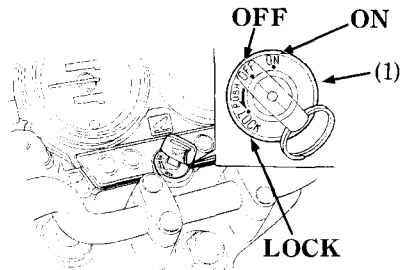
### **CAUTION:**

- \* Do not try to remove tubeless tyres without special tools and rim protectors. You may damage the rim sealing surface or disfigure the rim.

# ESSENTIAL INDIVIDUAL COMPONENTS

## IGNITION SWITCH

The ignition switch (1) is below the indicator panel.



(1) Ignition switch

Key Position	Function	Key Removal
LOCK (steering lock)	Steering is locked. Engine and lights cannot be operated.	Key can be removed
P (parking) (AR Type)	For parking the motorcycle near traffic. The taillight and position light are on, but all other lights are off. The engine cannot be started.	Key can be removed
OFF	Engine and lights cannot be operated.	Key can be removed
ON	Engine and lights can be operated.	Key cannot be removed

## RIGHT HANDLEBAR CONTROLS

### Engine Stop Switch

The engine stop switch (1) is next to the throttle grip. When the switch is in the RUN position, the engine will operate. When the switch is in the OFF position, the engine will not operate. This switch is intended primarily as a safety or emergency switch and should normally remain in the RUN position.

### Headlight Switch <Except U type>

The headlight switch (2) has three positions; "H", "P" and "OFF" marked by a dot to the right of "P".

H: Headlight, taillight, position light and meter lights on.

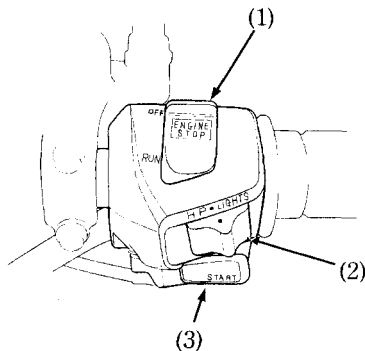
P: Position light, taillight and meter lights on.

OFF (dot): Headlight, taillight, position light and meter lights off.

### Starter Button

The starter button (3) is below the headlight switch (2).

When the starter button is pressed, the starter motor cranks the engine. If the engine stop switch is in the OFF position, the starter motor will not operate. See page 36 for the starting procedure.



- (1) Engine stop switch
- (2) Headlight switch
- (3) Starter button

## LEFT HANDLEBAR CONTROLS

### Headlight Dimmer Switch (1)

Push the dimmer switch to “HI” to select high beam or to “LO” to select low beam.

### Passing Light Control Switch (2)

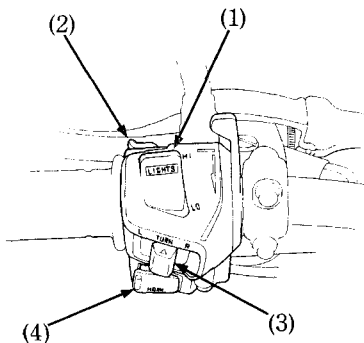
When this switch is pressed, the headlight flashes on to signal approaching cars or when passing.

### Turn Signal Switch (3)

Move to L to signal a left turn, R to signal a right turn. Press to turn signal off.

### Horn Button (4)

Press the button to sound the horn.



- (1) Headlight dimmer switch
- (2) Passing light control switch
- (3) Turn signal switch
- (4) Horn button

## FEATURES

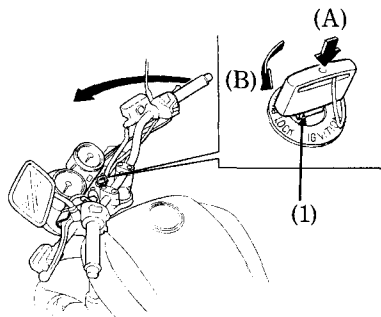
### (Not required for operation)

#### STEERING LOCK

To lock the steering, turn the handlebars all the way to the left or right, turn the key (1) to P or LOCK while pushing in. Remove the key.

#### **▲WARNING**

**\* Do not turn the key to P or LOCK while riding the motorcycle; loss of vehicle control will result.**



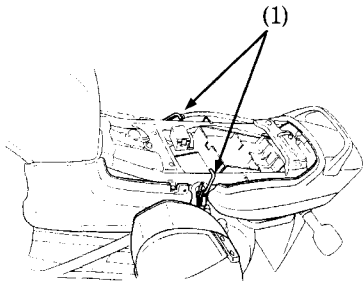
(1) Ignition key

(A) Push in

(B) Turn to LOCK

## HELMET HOLDER

The helmet holders are located below the seat. Remove the seat (see page 32). Hang the helmets on the holder hooks (1). Install the seat and lock it securely.



(1) Holder hooks

## ▲ WARNING

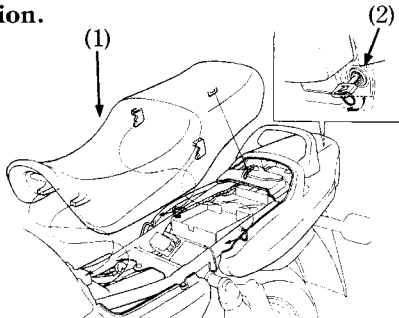
**\* The helmet holder is designed for helmet security while parked. Do not ride with a helmet attached to the holder; the helmet may interfere with safe operation and result in loss of control.**

## SEAT

To remove the seat (1), insert the ignition key into the seat lock (2) and turn it clockwise. Pull the seat back and up. To install the seat, insert the prong into the recess under the frame cross member and then push down on the rear of the seat.

### CAUTION:

**\* Be sure the seat is locked securely in position after installation.**



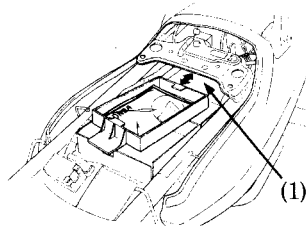
(1) Seat  
32

(2) Seat lock

## DOCUMENT COMPARTMENT

The document bag is placed underneath the seat inside the tray beside the tool bag. To access the document, pull the tray out. This owner's manual and other documents should be stored in the compartment.

When washing your motorcycle, be careful not to flood this area with water.



(1) Document compartment



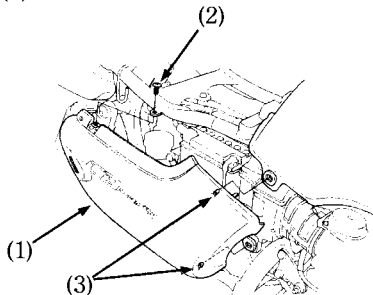
## SIDE COVER

The side cover (1) must be removed for the battery and air cleaner element maintenance. To remove the side cover:

1. Remove the seat.
2. Remove the screw (2).
3. Pull the retaining tabs (3) out from the rubber holes and remove the side cover (1).

## NOTE:

- \* Do not pull on the side cover with the screw (2) installed.



(1) Side cover

(3) Retaining tabs

(2) Screw

# OPERATION

## PRE-RIDE INSPECTION

### **▲ WARNING**

**\* If the Pre-ride Inspection is not performed, severe personal injury or vehicle damage may result.**

Inspect your motorcycle every day before you ride it. The items listed here will only take a few minutes to inspect, and in the long run they can save time, expense, and possibly your life.

1. Engine oil level—add engine oil if required (page 23). Check for leaks.
2. Fuel level—fill fuel tank when necessary (page 19). Check for leaks.
3. Front and rear brakes—check operation; make sure there is no brake fluid leakage (pages 13–16).

4. Tyres—check condition and pressure (page 24).
5. Drive chain—check condition and slack (page 60). Adjust and lubricate if necessary.
6. Throttle—check for smooth opening and full closing in all steering positions.
7. Lights and horn—check that headlight, tail/brake light, turn signals, indicators and horn function properly.
8. Engine stop switch—check for proper function (page 28).
9. Side stand ignition cut-off system—check for proper function (page 66).

Correct any discrepancy before you ride. Contact your authorized Honda dealer for assistance if you cannot correct the problem.

## STARTING THE ENGINE

This motorcycle is equipped with a side stand ignition cut-off system. The engine cannot be started if the side stand is down, unless the transmission is in neutral. If the side stand is up, the engine can be started in neutral or in gear with the clutch lever pulled in. After starting with the side stand down, the engine will shut off if the transmission is put in gear before raising the side stand.

### **▲ WARNING**

- \* Never run the engine in an enclosed area. The exhaust contains poisonous carbon monoxide gas that can cause loss of consciousness and lead to death.**

### NOTE:

- \* Do not use the electric starter for more than 5 seconds at a time. Release the starter button for approximately 10 seconds before pressing it again.

Before starting, insert the key, turn the ignition switch ON and confirm the following:

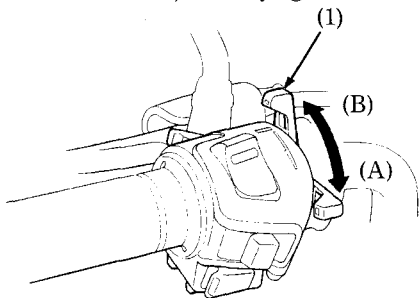
- The transmission is in NEUTRAL (neutral indicator light ON).
- The engine stop switch is at RUN.
- The red low oil pressure indicator is ON.
- The fuel cock is ON.

### Starting Procedure

1. Pull the choke lever (1) back all the way to Fully ON (A), if the engine is cold.
2. Press the starter button.

#### NOTE:

- \* If the engine fails to start within 5 seconds, release the starter button, wait 10 seconds, then try again.



(1) Choke lever

(A) Fully ON

(B) Fully OFF

3. Warm up the engine until it runs smoothly, with the choke lever Fully OFF.

#### CAUTION:

- \* **The red low oil pressure indicator should go off a few seconds after the engine starts. If the light stays on, stop the engine immediately and check engine oil level. Operating the engine with insufficient oil pressure can cause serious engine damage.**

## **Flooded Engine**

If the engine fails to start after repeated attempts, it may be flooded with excess fuel. To clear a flooded engine, leave the engine stop switch on RUN and push the choke lever forward to Fully OFF (B). Open the throttle fully and crank the engine for 5 seconds. If the engine starts, quickly close the throttle, then open it slightly if idling is unstable. If the engine does not start, wait 10 seconds, then follow the Starting Procedure.

## **RUNNING-IN**

During initial running-in newly machined surfaces will be in contact with each other and these surfaces will wear in quickly. Running-in maintenance at 1,000km (600 miles) is designed to compensate for this initial minor wear. Timely performance of the running-in maintenance will ensure optimum service life and performance from the engine.

The general rules are as follows:

1. Never labour the engine with full throttle at low engine speeds. This rule is applicable not only during running-in but at all times.
2. Maximum continuous engine speed during the first 1,000 km ( 600 miles) must not exceed 5,000  $\text{min}^{-1}$  (rpm).
3. Increase the maximum continuous engine speed by 2,000  $\text{min}^{-1}$  (rpm) between odometer readings of 1,000 km ( 600 miles) and 1,600 km ( 1,000 miles). Drive briskly, vary speeds frequently and use full throttle for short bursts only. Do not exceed 7,000  $\text{min}^{-1}$  (rpm).

4. Upon reaching an odometer reading of 1,600 km ( 1,000 miles), you can subject the motorcycle to full throttle operation. However, do not exceed 8,600 rpm at any time (tachometer red zone limit).

### **CAUTION:**

- \* **Running the engine beyond recommended maximum engine speed (tachometer red zone) can damage the engine.**

## RIDING

### ▲ WARNING

\* **Review Motorcycle Safety (pages 1 – 5) before you ride.**

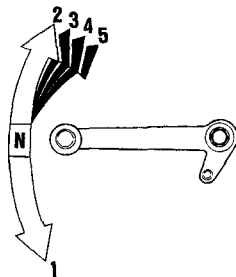
#### NOTE:

\* Make sure you understand the function of the side stand mechanism. (See MAINTENANCE SCHEDULE on page 45 and explanation for SIDE STAND on page 66 )

1. After the engine has been warmed up, the motorcycle is ready for riding.
2. While the engine is idling, pull in the clutch lever and depress the gearshift pedal to shift into 1st (low) gear.
3. Slowly release the clutch lever and at the same time gradually increase engine speed by opening the throttle. Coordination of the throttle and clutch lever will assure a smooth positive start.
4. When the motorcycle attains a moderate speed, close the throttle, pull in the clutch lever and shift to 2nd gear by raising the gearshift pedal.  
This sequence is repeated to progressively shift to 3rd, 4th and 5th (top)

gears.

5. Coordinate the throttle and brakes for smooth deceleration.
6. Both front and rear brakes should be used at the same time and should not be applied strongly enough to lock the wheel, or braking effectiveness will be reduced and control of the motorcycle be difficult.



**▲ WARNING**

- \* Do not downshift when traveling at a speed that would force the engine to overrev in the next lower gear; the rear wheel may lose traction, resulting in a possible loss of vehicle control.

**CAUTION:**

- \* Do not shift gears without disengaging the clutch and closing the throttle. The engine and drive train could be damaged by over-speed and shock.
- \* Do not tow the motorcycle or coast for long distances while the engine is off. The transmission will not be properly lubricated and damage may result.
- \* Do not ride over a curb or rub the wheel against an obstacle, as wheel damage may result.

**NOTE:**

- \* The battery will not charge while the engine speed is near idle speed. Avoid idling for prolonged periods.



## **BRAKING**

1. For normal braking, gradually apply both the front and rear brakes while downshifting to suit your road speed.
2. For maximum deceleration, close the throttle and apply the front and rear brakes firmly. Pull in the clutch lever before coming to a complete stop to prevent stalling the engine.

### **▲ WARNING**

- \* **Independent use of only the front or rear brake reduces stopping performance. Extreme braking may cause either wheel to lock, reducing control of the motorcycle.**
- \* **When possible, reduce speed or brake before entering a turn; closing the throttle or braking in mid-turn may cause wheel slip. Wheel slip will reduce control of the motorcycle.**

### **▲ WARNING**

- \* **When riding in wet or rainy conditions, or on loose surfaces, the ability to maneuver and stop will be reduced. All of your actions should be smooth under these conditions. Rapid acceleration, braking or turning may cause loss of control. For your safety, exercise extreme caution when braking, accelerating or turning.**
- \* **When descending a long, steep grade, use engine compression braking by downshifting, with intermittent use of both brakes. Continuous brake application can overheat the brakes and reduce their effectiveness.**
- \* **Riding with your foot resting on the brake pedal or your hands on the brake lever may actuate the brakelight, giving a false indication to other drivers. It may also overheat the brake, reducing effectiveness.**

## **PARKING**

1. After stopping the motorcycle, shift the transmission into neutral, turn the fuel cock OFF, turn the handlebar fully to the left, turn the ignition switch OFF and remove the key.
2. Use the side or center stand to support the motorcycle while parked.

### **CAUTION:**

- \* **Park the motorcycle on firm, level ground to prevent it from falling over.**
  - \* **If you must park on a slight incline, aim the front of the motorcycle uphill to reduce the possibility of rolling off the side stand or overturning.**
3. Lock the steering to help prevent theft (page 30 ).

## **ANTI-THEFT TIPS**

1. Always lock the steering and never leave the key in the ignition switch. This sounds simple but people do forget.
2. Be sure the registration information for your motorcycle is accurate and current.
3. Park your motorcycle in a locked garage whenever possible.
4. Use an additional anti-theft device of good quality.
5. Put your name, address, and phone number in this Owner's Manual and keep it on your motorcycles at all times. Many times stolen motorcycles are identified by information in the Owner's Manuals that are still with them.

NAME : \_\_\_\_\_

ADDRESS : \_\_\_\_\_

\_\_\_\_\_

\_\_\_\_\_

PHONE NO : \_\_\_\_\_

## **MAINTENANCE**

- The Required Maintenance Schedule specifies how often you should have your motorcycle served, and what things need attention. It is essential that your motorcycle be served as scheduled to retain its high level of safety, dependability, and emission control performance.
- These instructions are based on the assumption that the motorcycle will be used exclusively for its designed purpose. Sustained high speed operation, or operation in unusually wet or dusty conditions, will require more frequent service than specified in the MAINTENANCE SCHEDULE. Consult your authorized Honda dealer for recommendations applicable to your individual needs and use.

## MAINTENANCE SCHEDULE

The following Maintenance Schedule specifies all maintenance required to keep your motorcycle in peak operating condition. Maintenance work should be performed in accordance with standards and specifications of Honda by properly trained and equipped technicians. Your authorized Honda dealer meets all of these requirements.

Perform the Pre-ride Inspection (page 34 ) at each scheduled maintenance period.

I: INSPECT AND CLEAN, ADJUST, LUBRICATE OR REPLACE IF NECESSARY

C: CLEAN R: REPLACE A: ADJUST L: LUBRICATE

ITEMS	FREQUENCY	WHICHEVER → COMES FIRST ↓ NOTE	ODOMETER READING [NOTE (1)]								Refer to pages
			x 1.000 km	1	6	12	18	24	30	36	
			x 1.000 mi	0.6	4	8	12	16	20	24	
		MONTHS	6	12	18	24	30	36			
* FUEL LINE					I		I		I	—	
* FUEL STRAINER SCREEN				C	C	C	C	C	C	—	
* THROTTLE OPERATION					I		I		I	57	
* CARBURETOR CHOKE					I		I		I	—	
AIR CLEANER		NOTE (2)					R		R	59	
CRANKCASE BREATHER		NOTE (3)		C	C	C	C	C	C	54	
SPARK PLUG					I	R	I	R	I	55	
ENGINE OIL			R	R	R	R	R	R	R	51	
ENGINE OIL FILTER			R		R		R		R	52	
* CARBURETOR SYNCHRONIZATION					I		I		I	—	
* CARBURETOR IDLE SPEED			I	I	I	I	I	I	I	58	
* SECONDARY AIR SUPPLY SYSTEM		NOTE (4)			I		I		I	—	

ITEMS	FREQUENCY	WHICHEVER →		ODOMETER READING [NOTE (1)]								Refer to pages
		COMES FIRST ↓	x 1,000 km	1	6	12	18	24	30	36		
			x 1,000 mi	0.6	4	8	12	16	20	24		
NOTE	MONTH		6	12	18	24	30	36				
DRIVE CHAIN			EVERY 1,000 km (600 mi) I, L								60	
DRIVE CHAIN SLIDER					I		I		I	65		
BATTERY				I	I	I	I	I	I	76		
BRAKE FLUID	NOTE (5)			I	I	R	I	I	R	13		
BRAKE PAD WEAR				I	I	I	I	I	I	74		
BRAKE SYSTEM			I		I		I		I	13,74		
* BRAKE LIGHT SWITCH					I		I		I	—		
* HEADLIGHT AIM					I		I		I	—		
CLUTCH SYSTEM			I	I	I	I	I	I	I	17		
SIDE STAND					I		I		I	66		
* SUSPENSION					I		I		I	—		
* NUTS, BOLTS, FASTENERS			I		I		I		I	—		
** WHEELS/TYRES					I		I		I	—		
** STEERING HEAD BEARINGS			I		I		I		I	—		

- \* SHOULD BE SERVICED BY YOUR AUTHORIZED HONDA DEALER, UNLESS THE OWNER HAS PROPER TOOLS AND SERVICE DATA AND IS MECHANICALLY QUALIFIED. REFER TO THE OFFICIAL HONDA SHOP MANUAL.
- \*\* IN THE INTEREST OF SAFETY, WE RECOMMEND THESE ITEMS BE SERVICED ONLY BY YOUR AUTHORIZED HONDA DEALER.

Honda recommends that your authorized Honda dealer should road test your motorcycle after each periodic maintenance is carried out.

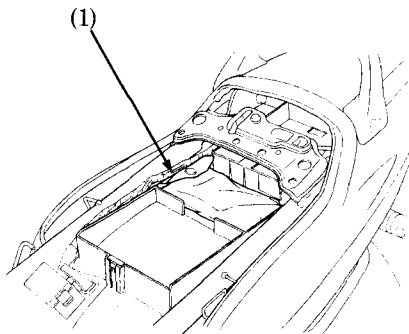
- NOTES:
- (1) At higher odometer readings, repeat at the frequency interval established here.
  - (2) Service more frequently when riding in unusually wet or dusty areas.
  - (3) Service more frequently when riding in rain or at full throttle.
  - (4) Switzerland and Austria type only.
  - (5) Replace every 2 years, or at indicated odometer interval, whichever comes first. Replacement requires mechanical skill.

## TOOL KIT

The tool kit (1) is in the tool box under the seat.

Some roadside repairs, minor adjustments and parts replacement can be performed with the tools contained in the kit.

- 10 x 12 mm open end wrench
- 14 x 17 mm open end wrench
- 8 mm open end wrench
- 12 mm box end wrench
- 24 mm box end wrench
- Spark plug wrench
- No.2 Phillips screwdriver
- No.2 screwdriver
- Screwdriver grip
- Pin spanner
- Feeler gauge
- Fuse puller
- Tool bag

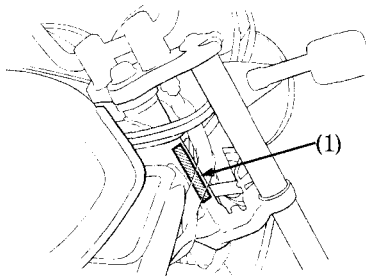


(1) Tool kit

## SERIAL NUMBERS

The frame and engine serial numbers are required when registering your motorcycle. They may also be required by your dealer when ordering replacement parts. Record the numbers here for your reference.

FRAME NO. \_\_\_\_\_



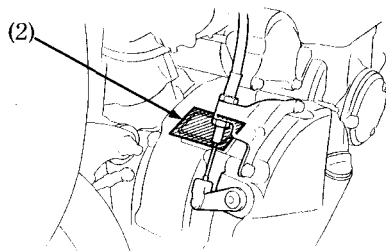
(1) Frame number

**48**

The frame number (1) is stamped on the right side of the steering head.

The engine number (2) is stamped on the right side of the crankcase.

ENGINE NO. \_\_\_\_\_



(2) Engine number



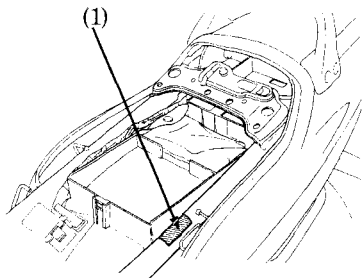
## COLOUR LABEL

The colour label (1) is attached to the left frame rail under the seat.

It is helpful when ordering replacement parts. Record the colour and code here for your reference.

COLOUR \_\_\_\_\_

CODE \_\_\_\_\_



(1) Colour label

## MAINTENANCE PRECAUTIONS

### **▲WARNING**

- \* If your motorcycle is overturned or involved in a collision, inspect control levers, cables, brake hoses, calipers, accessories, and other vital parts for damage. Do not ride the motorcycle if damage impairs safe operation. Have your authorized Honda dealer inspect the major components, including frame, suspension and steering parts, for misalignment and damage that you may not be able to detect.
- \* Use new, genuine Honda parts or their equivalent for maintenance and repair. Parts which are not of equivalent quality may impair the safety of your motorcycle.
- \* Stop the engine and support the motorcycle securely on a firm, level surface before performing any maintenance.

## ENGINE OIL

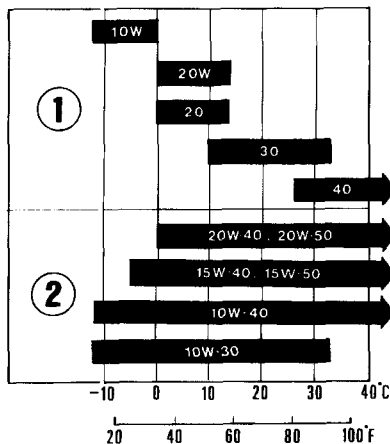
(Refer to the maintenance precautions on page 50).

### Engine Oil

Good engine oil has many desirable qualities. Use only high detergent, quality motor oil certified on the container to meet or exceed requirements for API Service Classification SE, SF or SG.

### Viscosity:

Viscosity grade of engine oil should be based on average atmospheric temperature in your riding area. The following provides a guide to the selection of the proper grade or viscosity of oil to be used at various atmospheric temperatures.



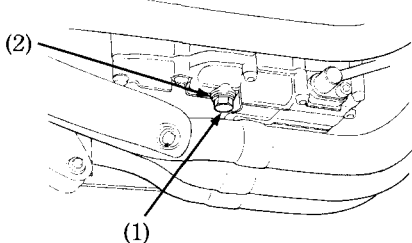
(1) Single grade

(2) Multigrade

## Engine Oil and Filter

Engine oil quality is the chief factor affecting engine service life. Change the engine oil as specified in the maintenance schedule (page 45).

Changing the oil filter requires a special oil filter tool and a torque wrench. If you do not have these tools and the necessary skill, we recommend that you have your authorized Honda dealer perform this service. If a torque wrench is not used for this installation, see your authorized Honda dealer as soon as possible to verify proper assembly.



(1) Oil drain plug

(2) Sealing washer

### NOTE:

- \* Change the engine oil with the engine at normal operating temperature and the motorcycle on its side stand to assure complete and rapid draining.

### CAUTION:

- \* **To prevent oil leaks and filter damage, never support the engine on the oil filter.**

1. To drain the oil, remove the oil filler cap/dipstick and crankcase drain plug (1) and sealing washer (2).

### **▲ WARNING**

- \* **A warmed-up engine and the oil in it are hot; be careful not to burn yourself.**

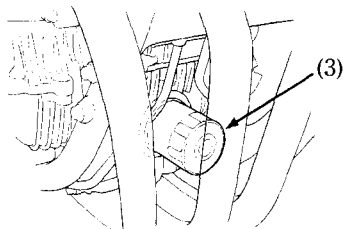
2. Remove the oil filter (3) with a filter wrench and let the remaining oil drain out. Discard the oil filter.

3. Apply a thin coat of engine oil to the new oil filter rubber seal (4).

4. Using a special tool and a torque wrench, install the new oil filter and tighten to a torque of:

**10 N·m (1.0 kg-m , 7 lb-ft)**

Use only the Honda genuine oil filter or a filter of equivalent quality specified for your model. Using the wrong Honda filter or a non-Honda filter which is not of equivalent quality may cause engine damage.



(3) Oil filter

5. Check that the sealing washer on the drain plug is in good condition and install the plug. Replace the sealing washer every other time the oil is changed, or each time if necessary.

Oil Drain Plug Torque:

**35 N·m (3.5 kg-m , 25 lb-ft)**

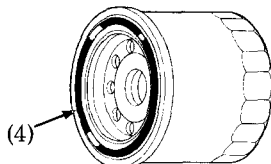
6. Fill the crankcase with the recommended grade oil; approximately:

**3.0 ℓ (3.2 US qt , 2.6 Imp qt)**

7. Install the oil filler cap.

8. Start the engine and let it idle for 2–3 minutes.

9. Several minutes after stopping the engine, check that the oil level is at the upper level mark on the dipstick with the motorcycle upright on firm, level ground. Make sure there are no oil leaks.



(4) Oil filter rubber seal

**NOTE:**

- \* When running in very dusty conditions, oil changes should be performed more frequently than specified in the maintenance schedule.
- \* Please dispose of used engine oil in a manner that is compatible with the environment. We suggest you take it in a sealed container to your local recycling center or service station for reclamation. Do not throw it in the rubbish or pour it on the ground or down a drain.

**CAUTION:**

- \* **Used engine oil may cause skin cancer if repeatedly left in contact with the skin for prolonged periods. Although this is unlikely unless you handle used oil on a daily basis, it is still advisable to thoroughly wash your hands with soap and water as soon as possible after handling used oil.**

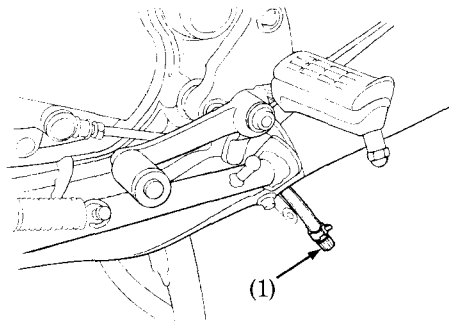
**CRANKCASE BREATHER**

(Refer to the maintenance precautions on page 50 ).

1. Remove the crankcase breather tube plug (1) from the tube and drain deposits into a suitable container.
2. Reinstall the crankcase breather tube plug.

**NOTE:**

- \* Service more frequently when riding in rain or at full throttle.



(1) Crankcase breather tube plug

## SPARK PLUGS

(Refer to the maintenance precautions on page 50 ).

Recommended plugs:

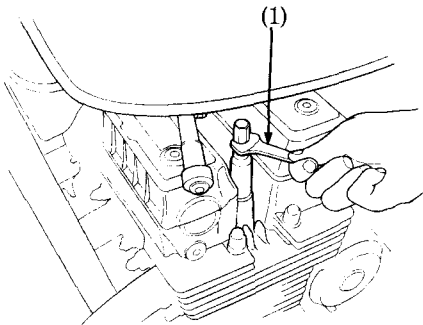
Standard:

DPR8EA—9(NGK) or  
X24EPR—U9(NIPPONDENSO)

For extended high speed riding:

DPR9EA—9(NGK) or  
X27EPR—U9(NIPPONDENSO)

1. Disconnect the spark plug caps from the spark plugs.
2. Clean any dirt from around the spark plug bases.  
Remove the spark plugs using the spark plug wrench (1) furnished in the tool kit.

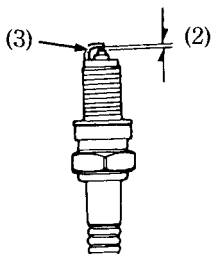


(1) Spark plug wrench

3. Inspect the electrodes and center porcelain for deposits, erosion or carbon fouling. If the erosion or deposit is heavy, replace the plug. Clean a carbon or wet-fouled plug with a plug cleaner, otherwise use a wire brush.
4. Check the spark plug gap (2) using a wire-type feeler gauge. If adjustment is necessary, bend the side electrode (3) carefully.

The gap should be:

0.8—0.9 mm (0.03—0.04 in)



(2) Spark plug gap

(3) Side electrode

5. With the plug washer attached, thread the spark plug in by hand to prevent cross-threading.
6. Tighten the spark plug 1/2 turn with a spark plug wrench to compress the washer.
7. Reinstall the spark plug caps.

**CAUTION:**

- \* **The spark plug must be securely tightened. An improperly tightened plug can become very hot and possibly damage the engine.**
- \* **Never use a spark plug with an improper heat range. Severe engine damage could result.**



## THROTTLE OPERATION

(Refer to the maintenance precautions on page 50).

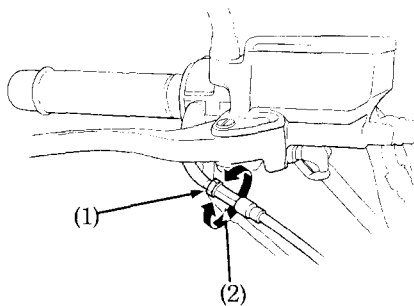
1. Check for smooth rotation of the throttle grip from the fully open to the fully closed position at both full steering positions.

2. Measure the throttle grip free play at the throttle grip flange.

The standard free play should be approx:

2.0—6.0 mm (0.08—0.24 in)

To adjust the play, loosen the lock nut (1) and turn the adjuster (2).



(1) Lock nut

(2) Adjuster

## IDLE SPEED

(Refer to the maintenance precautions on page 50).

The engine must be at normal operating temperature for accurate idle speed adjustment. Ten minutes of stop-and-go riding is sufficient.

### NOTE:

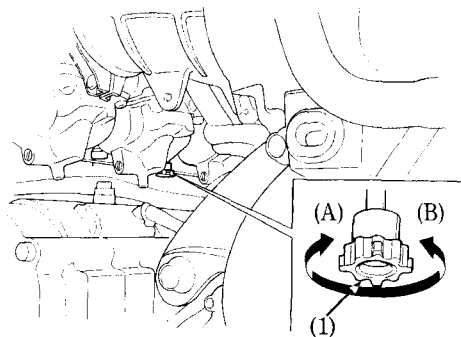
\* Do not attempt to compensate for faults in other systems by adjusting idle speed. See your authorized Honda dealer for regularly scheduled carburetor adjustments, including individual carburetor adjustment and synchronization.

1. Warm up the engine, shift to neutral and place the motorcycle on its center stand.
2. Adjust idle speed with the throttle stop screw (1).

Idle speed (In neutral):

$1,200 \pm 100 \text{ min}^{-1}(\text{rpm})$

$1,200 \pm 50 \text{ min}^{-1}(\text{rpm})$  < SW Type >



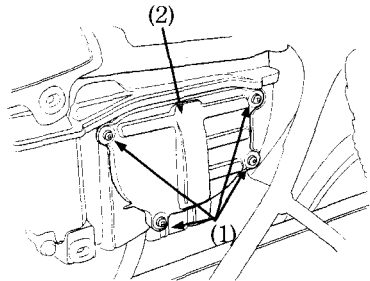
- (1) Throttle stop screw (A) Increase  
(B) Decrease

## AIR CLEANER

(Refer to the maintenance precautions on page 50 ).

The air cleaner should be serviced at regular intervals (page 44 ). Service more frequently when riding in unusually wet or dusty areas.

1. Remove the left side cover.
2. Remove the attaching screws(1) and air cleaner housing cover(2).

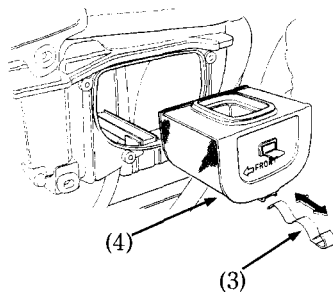


- (1) Attaching screws  
(2) Air cleaner housing cover

3. Pull the set spring (3) out.
4. Remove and discard the air cleaner (4).
5. Install a new air cleaner.

Use the Honda genuine air cleaner or an equivalent air cleaner specified for your model. Using the wrong Honda air cleaner or a non-Honda air cleaner which is not of equivalent quality may cause premature engine wear or performance problems.

6. Install the removed parts in reverse order of removal.



- (3) Set spring                      (4) Air cleaner

## DRIVE CHAIN

(Refer to the maintenance precautions on page 50 ).

The service life of the drive chain is dependent upon proper lubrication and adjustment. Poor maintenance can cause premature wear or damage to the drive chain and sprockets.

The drive chain should be checked and lubricated as part of the Pre-ride Inspection (page 34 ). Under severe usage, or when the motorcycle is ridden in unusually dusty or muddy areas, more frequent maintenance will be necessary.

### Inspection:

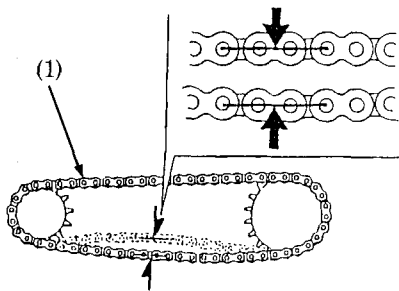
1. Turn the engine off, place the motorcycle on its side stand and shift the transmission into neutral.

2. Check slack in the lower drive chain run midway between the sprockets.

Drive chain slack should be adjusted to allow the following vertical movement by hand:

30—40 mm (1.2—1.6 in)

3. Rotate the rear wheel. Stop. Check the drive chain slack. Repeat this procedure several times. Drive chain slack should remain constant. If the chain is slack only in certain sections, some links are kinked and binding. Binding and kinking can frequently be eliminated by lubrication.



(1) Drive chain

4. Rotate the rear wheel slowly and inspect the drive chain and sprockets for any of the following conditions:

#### DRIVE CHAIN

- \*Damaged Rollers
- \*Loose Pins
- \*Dry or Rusted Links
- \*Kinked or Binding Links
- \*Excessive Wear
- \*Improper Adjustment
- \*Missing O-rings

#### SPROCKETS

- \*Excessively Worn Teeth
- \*Broken or Damaged Teeth

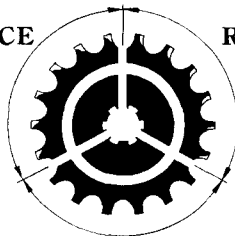
A drive chain with damaged rollers, loose pins, or missing O-rings must be replaced. A chain which appears dry, or shows signs of rust, requires supplementary lubrication. Kinked or binding links should be thoroughly lubricated and worked free. If links cannot be freed, the chain must be replaced.

Damaged Sprocket  
Teeth

**REPLACE**

Worn Sprocket  
Teeth

**REPLACE**

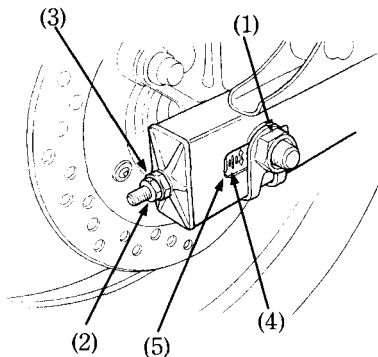


Normal Sprocket

**GOOD**

### Adjustment:

Drive chain slack should be checked and adjusted, if necessary, every 1,000 km (600 miles). When operated at sustained high speeds or under conditions of frequent rapid acceleration, the chain may require more frequent adjustment.



- |                   |                  |
|-------------------|------------------|
| (1) Axle nut      | (4) Index mark   |
| (2) Lock nut      | (5) Rear edge of |
| (3) Adjusting nut | adjusting slot   |

If the drive chain requires adjustment, the procedure is as follows:

1. Place the motorcycle on its center stand with the transmission in neutral and the ignition switch off.
2. Loosen the axle nut (1).
3. Loosen the lock nuts (2) on both right and left swingarm.
4. Turn both adjusting nuts (3) an equal number of turns until the correct drive chain slack is obtained. Turn the adjusting nuts clockwise to tighten the chain, or counterclockwise to provide more slack. Adjust the chain slack at a point midway between the drive sprocket and the rear wheel sprocket. Rotate the rear wheel and recheck slack at other sections of the chain.

Chain slack should be:

30—40 mm (1.2—1.6 in)

5. Check rear axle alignment by making sure the chain adjuster index marks (4) align with the rear edge (5) of the adjusting slots.

Both left and right marks should correspond. If the axle is misaligned, turn the left or right adjusting nut until the marks correspond on the rear edge of the adjusting slots and recheck chain slack.

6. Tighten the axle nut to specified torque.

Axle nut torque:

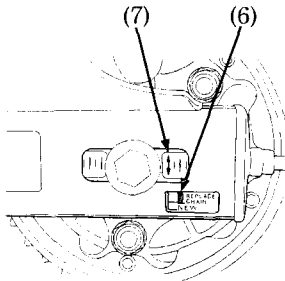
90 N·m (9.0 kg·m , 65 lb-ft)

7. Tighten the adjusting nuts lightly, then tighten the lock nuts by holding the adjusting nuts with a spanner.

#### Wear inspection:

Check the chain wear label when adjusting the chain. If the red zone (6) on the label aligns with the arrow mark (7) on the chain adjuster plates after the chain has been adjusted to the proper slack, the chain is excessively worn and must be replaced. The proper slack is:

30—40 mm (1.2—1.6 in)



(6) Red zone

(7) Arrow mark

### Lubrication and cleaning:

Lubricate every 1,000 km (600 miles) or sooner if chain appears dry.

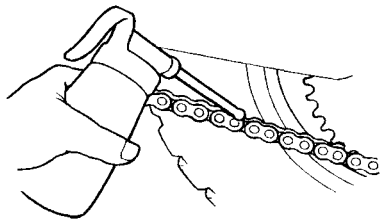
The O-rings in this chain can be damaged by steam cleaning, high pressure washers, and certain solvents. Clean the chain with high flash-point solvent, such as paraffin. Wipe dry and lubricate only with SAE 80 or 90 gear oil. Commercial chain lubricants may contain solvents which could damage the rubber O-rings.

Replacement Chain:

RK525SM4 or DID525V8

### **CAUTION:**

**\* The drive chain on this motorcycle is equipped with small O-rings between the link plates. These O-rings retain grease inside the chain to improve its service life. However, special precautions must be taken when adjusting, lubricating, washing, and replacing the chain.**



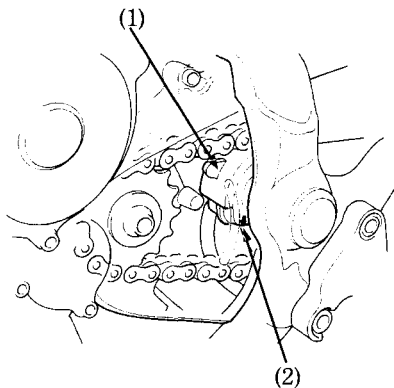


## DRIVE CHAIN SLIDER

(Refer to the maintenance precautions on page 50 ).

Check the chain slider (1) for wear.

The chain slider must be replaced if it is worn to the wear limit line (2). For replacement, see your authorized Honda dealer.



- (1) Chain slider
- (2) Wear limit line

## SIDE STAND

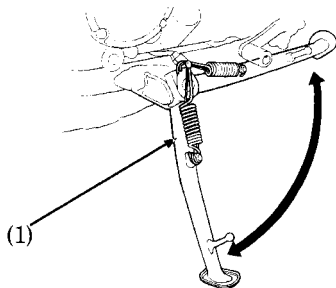
(Refer to the maintenance precautions on page 50).

Perform the following maintenance in accordance with the maintenance schedule.

### Functional Check:

- Check the spring (1) for damage or loss of tension and the side stand assembly for freedom of movement.
- Check the side stand ignition cut-off system:
  1. Sit astride the motorcycle; put the side stand up and the transmission in neutral.
  2. Start the engine and with the clutch lever pulled in, shift the transmission into gear.
  3. Lower the side stand. The engine should stop as you put the side stand down.

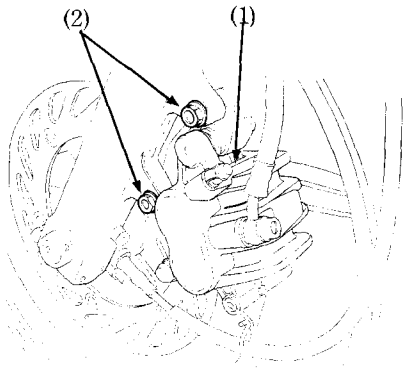
If the side stand system does not operate as described, see your authorized Honda dealer for service.



(1) Side stand spring

## WHEEL REMOVAL

(Refer to the maintenance precautions on page 50).



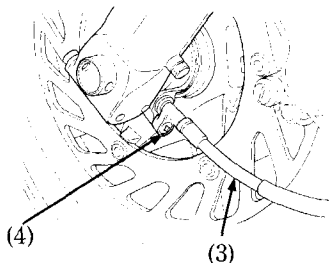
- (1) Brake caliper assembly
- (2) Fixing bolts

## Front Wheel Removal

1. Raise the front wheel off the ground by placing a support block under the engine.
2. Remove the left caliper assembly (1) from the fork leg by removing the fixing bolts (2).

### CAUTION:

\* To avoid damage to the brake hose, support the caliper assembly so that it doesn't hang from the hose. Do not twist the brake hose.

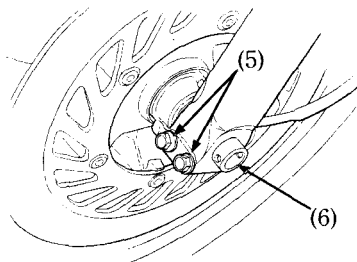


- (3) Speedometer cable
- (4) Cable set screw

3. Disconnect the speedometer cable (3) from the speedometer gear box by removing the cable set screw (4).

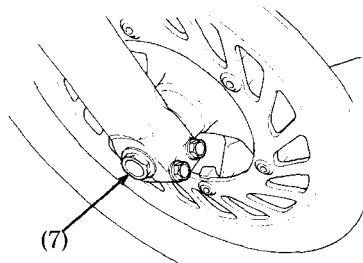
**NOTE:**

\* Do not depress the brake lever when the wheel is off the motorcycle. The caliper piston will be forced out of the cylinder with subsequent loss of brake fluid. If this occurs, servicing of the brake system will be necessary. See your authorized Honda dealer for this service.



- (5) Axle pinch bolts
- (6) Front axle

4. Loosen the right and left axle pinch bolts (5), and remove the axle bolt (7).
5. Withdraw the front axle (6) and remove the front wheel.



- (7) Axle bolt

Installation Notes:

Position the front wheel between the fork legs and insert the axle from the left side, through the left fork leg and wheel hub.

**CAUTION:**

**\*When installing the wheel carefully, fit the left brake disc between the brake pads to avoid damaging the pads.**

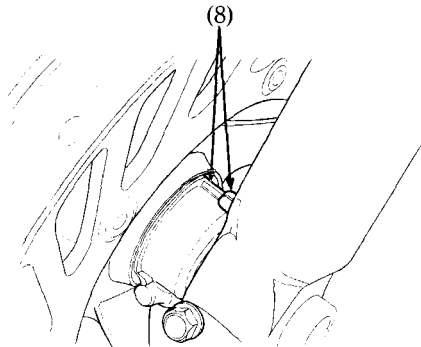
Position the lug on the speedometer gear box against the lug (8) on the left fork leg. Tighten the axle bolt to the specified torque .

Front axle torque :

60 N·m (6.0 kg-m , 43 lb-ft)

Fit the caliper over the disc, taking care not to damage the brake pads. Install the caliper fixing bolts, and tighten to a torque of :

31 N·m (3.1 kg-m , 22 lb-ft)



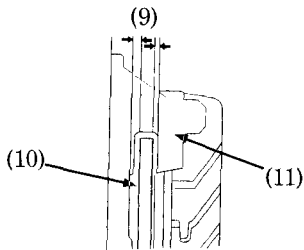
(8) Lugs

Measure the clearance (9) between each surface of the left brake disc (10) and the left caliper holder (11) with a 0,7 mm (0,028 in) feeler gauge (12) (see illustration).

If the gauge inserts easily, tighten the right and left axle pinch bolts (5) to the specified torque.

Axle pinch bolt torque:

22 N·m (2.2 kg-m , 16 lb-ft)

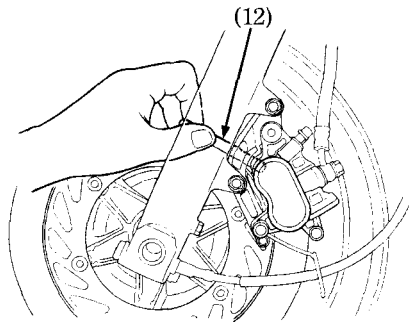


(9) Clearance  
(10) Brake disc

(11) Caliper holder

**▲ WARNING**

**\* If a torque wrench was not used for installation, see your authorized Honda dealer as soon as possible to verify proper assembly. Improper assembly may lead to loss of braking capacity.**



(12) Feeler gauge

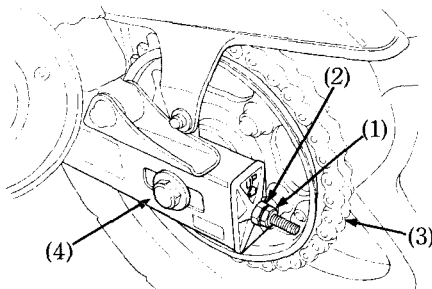
If the feeler gauge cannot be inserted easily, pull the left fork outward or push inward until the gauge can be inserted and tighten the axle pinch bolts with the gauge inserted. After tightening, remove the gauge. After installing the wheel, apply the brakes several times, then recheck both discs for caliper holder to disc clearance. Do not operate the motorcycle without adequate clearance.

**▲WARNING**

- \* **Failure to provide adequate disc to caliper holder clearance may damage the brake discs and impair braking efficiency.**

## Rear Wheel Removal

1. Place the motorcycle on its center stand.
2. Loosen the drive chain adjusting nut lock nuts (1) and adjusting nuts (2).
3. Remove the rear axle nut.
4. Remove the drive chain (3) from the driven sprocket by pushing the rear wheel forward.



- (1) Lock nuts  
(2) Adjusting nuts  
(3) Drive chain

(4) Axle shaft

5. Remove the axle shaft (4), side collar and rear wheel from the swing arm.

### NOTE:

\* Do not depress the brake pedal while the wheel is off the motorcycle. The caliper pistons will be forced out of the cylinders with subsequent loss of brake fluid. If this occurs, servicing of the brake system will be necessary. See your authorized Honda dealer for this service.



### Installation

To install the rear wheel, reverse the removal procedure. Torque the axle nut to the specified torque.

Axle nut torque:

90 N·m (9.0 kg-m , 65 lb-ft)

#### **CAUTION:**

- \* When installing the wheel carefully, fit the brake disc between the brake pads to avoid damaging the pads.**

After installing the wheel, apply the brake several times and then check if the wheel rotates freely. Recheck the wheel if the brake drags or if the wheel does not rotate freely.

#### **▲ WARNING**

- \* If a torque wrench was not used for installation, see your authorized Honda dealer as soon as possible to verify proper assembly. Improper assembly may lead to loss of braking capacity.**

## **BRAKE PAD WEAR**

(Refer to the maintenance precautions on page 50 ).

Brake pad wear depends upon the severity of usage, the type of riding, and road conditions. (Generally, the pads will wear faster on wet and dirty roads.)

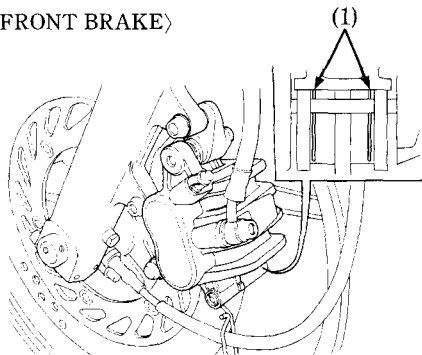
Inspect the pads at each regular maintenance interval (page 45 ).

### **Front Brake**

Check the wear indicator mark (1) on each pad.

If either pad is worn to the wear indicator mark, replace both pads as a set. See your authorized Honda dealer for this service.

〈FRONT BRAKE〉



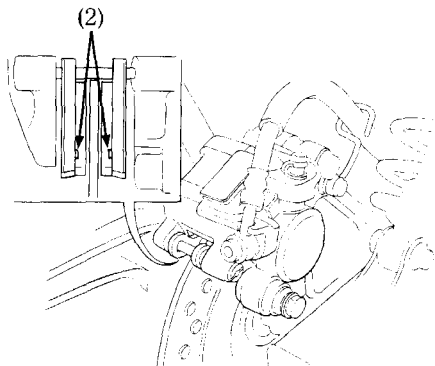
(1) Wear indicator mark

## Rear Brake

Check the cutout (2) in each pad.

If either pad is worn to the cutout, replace both pads as a set. See your authorized Honda dealer for this service.

〈REAR BRAKE〉



(2) Cutout

## **BATTERY**

(Refer to the maintenance precautions on page 50).

If the motorcycle is operated with insufficient battery electrolyte, sulfation and battery plate damage will occur.

If rapid loss of electrolyte is experienced, or if your battery seems to be weak, causing slow starting or other electrical problems, see your authorized Honda dealer.

### **▲ WARNING**

- \* **The battery gives off explosive gases; keep sparks, flames, and cigarettes away. Provide adequate ventilation when charging or using the battery in an enclosed space.**

### **▲ WARNING**

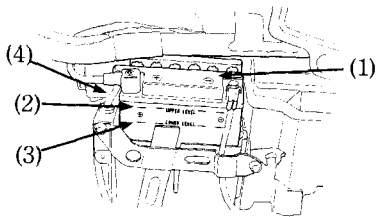
- \* **The battery contains sulfuric acid (electrolyte). Contact with skin or eyes may cause severe burns. Wear protective clothing and a face shield.**
  - **If electrolyte gets on your skin, flush with water.**
  - **If electrolyte gets in your eyes, flush with water for at least 15 minutes and call a physician immediately.**
- \* **Electrolyte is poisonous.**
  - **If swallowed, drink large quantities of water or milk and follow with milk of magnesia or vegetable oil and call a physician.**
- \* **KEEP OUT OF REACH OF CHILDREN.**

### Battery electrolyte:

The battery (1) is behind the right side cover. Remove the right side cover (page 33 ).

Check the electrolyte level with the motorcycle in an upright position on level ground. The electrolyte level must be maintained between the UPPER (2) and LOWER (3) level marks on the side of the battery.

If the electrolyte level is low, remove the filler caps. Carefully add distilled water to upper level mark, using a small syringe or plastic funnel.



- (1) Battery            (2) UPPER level  
(3) LOWER level    (4) Battery breather tube

### **CAUTION:**

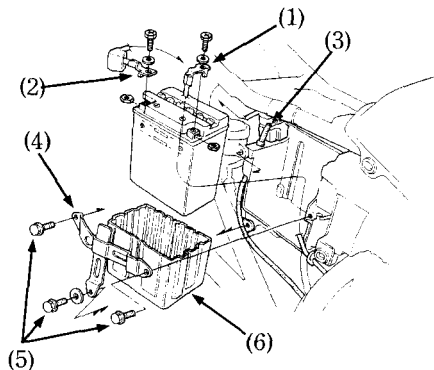
- \* **When checking the battery electrolyte level or adding distilled water, make sure the breather tube is connected to the battery breather outlet.**
- \* **Use only distilled water in the battery. Tap water will shorten the service life of the battery.**
- \* **Filling the battery above the UPPER LEVEL line may cause the electrolyte to overflow, resulting in corrosion to engine or frame parts. Immediately wash off any spilled electrolyte.**
- \* **The battery breather tube must be routed as shown on the label. Do not bend or twist the breather tube. A bent or kinked breather tube may pressurize the battery and damage its case.**

### CAUTION:

\* When the motorcycle is to be stored for an extended period of time, remove the battery from the motorcycle and charge it fully. Then store it in a cool, dry place. If the battery is to be left in the motorcycle, disconnect the negative cable from the battery terminal.

### Battery Removal:

1. Remove the right side cover (page 33).
2. Disconnect the negative (-) terminal lead (1) from the battery first, then disconnect the positive (+) terminal lead (2).
3. Disconnect the battery breather tube (3).
4. Remove the battery holder (4) by removing the three bolts (5).
5. Pull out the battery box (6) and remove the battery.



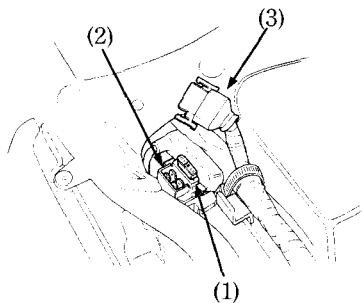
- (1) Negative (-) terminal lead
- (2) Positive (+) terminal lead
- (3) Battery breather tube
- (4) Battery holder
- (5) Bolts
- (6) Battery box

## FUSE REPLACEMENT

(Refer to the maintenance precautions on page 50).

The main fuse ( 1 ), located on the starter magnetic switch ( 2 ) below the seat , is 30 A.

The spare main fuse (6) is located near the fuse box. The fuse box ( 4 ) is also located below the seat.



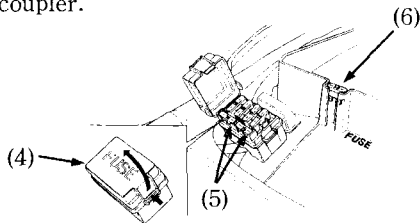
- (1) Main fuse      (2) Starter magnetic switch  
(3) Wire coupler

When frequent fuse failure occurs, it usually indicates a short circuit or an overload in the electrical system. See your authorized Honda dealer for repair.

### CAUTION:

**\* Turn the ignition switch OFF before checking or replacing fuses to prevent accidental short-circuiting.**

To replace the main fuse ( 1 ), remove the right side cover (page 33), disconnect the wire coupler ( 3 ) and remove the old fuse. Install a new fuse and reconnect the wire coupler.

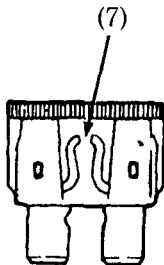


- (4) Fuse box      (5) Spare fuses  
(6) Spare main fuse

To replace fuses in the fuse box (4), remove the the fuse box cover.

The spare fuses (5) are located in the fuse box.

Pull the old fuse out of the clips. Push a new fuse into the clips and install the fuse box cover.



(7) Blown fuse

**▲ WARNING**

**\* Never use a fuse with a different rating from that specified. Serious damage to the electrical system or a fire may result, causing a dangerous loss of lights or engine power.**



## BULB REPLACEMENT

(Refer to the maintenance precautions on page 50).

### Headlight/Position Light Bulb

#### ▲ WARNING

\* The light bulb becomes very hot while the light is ON, and remain hot for a while after it is turned OFF. Be sure to let it cool down before servicing.

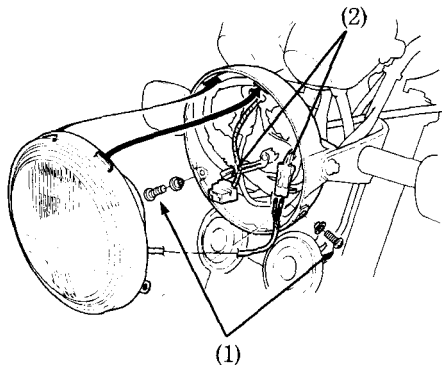
#### CAUTION:

- \* Wear clean gloves while replacing the bulb.
- \* Do not put finger prints on the headlight bulb, as they may create hot spots on the bulb and cause it to break.
- \* If you touch the bulb with your bare hands, clean it with a cloth moistened with alcohol to prevent its early failure.

#### NOTE:

- \* Be sure to turn the ignition switch OFF when replacing the bulb.

1. Remove the screws (1) from the headlight case.
2. Gently pull the headlight forward and disconnect the connectors (2).

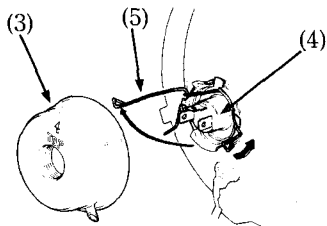


- (1) Screws  
(2) Connectors

3. Remove the seat rubber (3).
4. Remove the bulb (4) while pressing down on the pin (5).
5. Install a new bulb in the reverse order of removal.

**NOTE:**

- \* Do not use bulbs other than that specified.
- \* After installing a new bulb, check that the light operates properly.



(3) Seat rubber  
(4) Bulb

(5) Pin

## Stop/Taillight Bulb

### **▲WARNING**

- \* The light bulb becomes very hot while the light is ON, and remain hot for a while after it is turned OFF. Be sure to let it cool down before servicing.

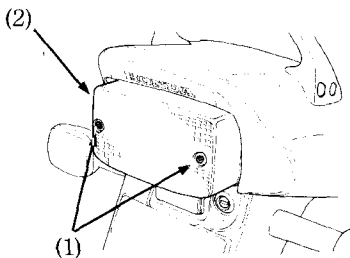
### **CAUTION:**

- \* Wear clean gloves while replacing the bulb.
- \* If you touch the bulb with your bare hands, clean it with a cloth moistened with alcohol to prevent its early failure.

### **NOTE:**

- \* Be sure to turn the ignition switch OFF when replacing the bulb.

1. Remove the two screws (1).
2. Remove the taillight lens (2).

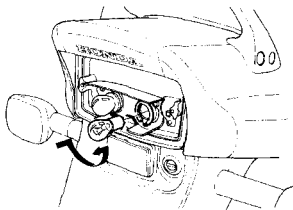


- (1) Screws
- (2) Taillight lens

3. Slightly press down on the bulb and turn it counterclockwise.
4. Install a new bulb in the reverse order of removal.

**NOTE:**

- \* Do not use bulbs other than that specified.
- \* After installing a new bulb, check that the light operates properly.



## Front/Rear Turn Signal Bulb

### **▲ WARNING**

- \* The light bulb becomes very hot while the light is ON, and remain hot for a while after it is turned OFF. Be sure to let it cool down before servicing.

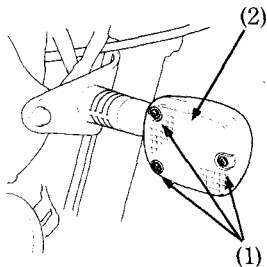
### **CAUTION:**

- \* Wear clean gloves while replacing the bulb.

### **NOTE:**

- \* Be sure to turn the ignition switch OFF when replacing the bulb.

1. Remove the three screws (1).
2. Remove the turn signal lens (2).

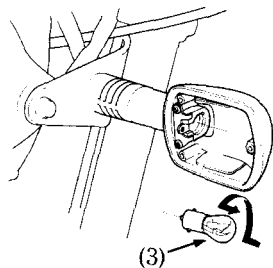


- (1) Screws
- (2) Turn signal lens

3. Remove the bulb (3) by pressing in and turning counterclockwise.
4. Install a new bulb and check that the light operates properly.

**NOTE:**

- \* Do not use bulbs other than that specified.
- \* After installing a new bulb, check that the light operates properly.



(3) Bulb

## CLEANING

Clean your motorcycle regularly to protect the surface finishes and inspect for damage, wear, and oil or brake fluid leakage.

### CAUTION:

- \* **High pressure water (or air) can damage certain parts of the motorcycle.**

Avoid spraying high pressure water (typical in coin-operated car washes) at the following areas:

Ignition Switch	Instruments
Carburetors	Wheel Hubs
Drive Chain	Muffler Outlets
Under Seat	Under Fuel Tank
Handlebar Switches	
Brake Master Cylinder	

1. After cleaning, rinse the motorcycle thoroughly with plenty of clean water. Strong detergent residue can corrode alloy parts.

### NOTE:

- \* Clean the plastic parts using a cloth or sponge dampened with a solution of mild detergent and water. Rub the soiled area gently rinsing it frequently with fresh water.
2. Dry the motorcycle, start the engine, and let it run for several minutes.
  3. Test the brakes before riding the motorcycle. Several applications may be necessary to restore normal braking performance.
  4. Lubricate the drive chain immediately after washing and drying the motorcycle.

### ▲ WARNING

- \* **Braking efficiency may be temporarily impaired immediately after washing the motorcycle. Anticipate longer stopping distance to avoid a possible accident.**

### **Aluminum Wheel Maintenance**

Aluminum corrodes when it comes in contact with dust, mud, road salt, etc. After riding, clean the wheels with a wet sponge and mild detergent, then rinse well with water and wipe dry with a clean cloth.

#### **CAUTION:**

- \* **Do not use steel wool or a cleaner containing abrasives or compounds to clean the wheels, as they can cause damage.**
- \* **Do not ride over a curb or rub the wheel against an obstacle, as wheel damage may result.**



## STORAGE GUIDE

Extended storage, such as for winter, requires that you take certain steps to reduce the effects of deterioration from non-use of the motorcycle. In addition, necessary repairs should be made **BEFORE** storing the motorcycle; otherwise, these repairs may be forgotten by the time the motorcycle is removed from storage.

### STORAGE

1. Change the engine oil and filter.
2. Drain the fuel tank and carburetors into an approved petrol container. Spray the inside of the tank with an aerosol rust-inhibiting oil.  
Reinstall the fuel fill cap on the tank.

#### NOTE:

- \* If storage will last more than one month, carburetor draining is very important, to assure proper performance after storage.

#### **▲ WARNING**

- \* **Petrol is extremely flammable and is explosive under certain conditions. Perform this operation in a well-ventilated area with the engine stopped. Do not smoke or allow flames or sparks in the area where petrol is drained or stored and where the fuel tank is refueled.**

3. Remove the spark plugs and pour a tablespoon (15–20 cc) of clean engine oil into each cylinder. Crank the engine several times to distribute the oil, then reinstall the spark plugs.

#### NOTE:

- \* When turning the engine over, turn the ignition switch OFF, select second or third (or higher) gear, and push the motorcycle forward to turn the rear wheel.

4. Remove the battery. Store in an area protected from freezing temperatures and direct sunlight.  
Slow charge the battery once a month.
5. Wash and dry the motorcycle. Wax all painted surfaces. Coat chrome with rustinhibiting oil.
6. Lubricate the drive chain (page 64).
7. Inflate the tyres to their recommended pressures. Place the motorcycle on blocks to raise both tyres off the ground.
8. Cover the motorcycle (don't use plastic or other coated materials) and store in an unheated area, free of dampness with a minimum of daily temperature variation. Do not store the motorcycle in direct sunlight.

## **REMOVAL FROM STORAGE**

1. Uncover and clean the motorcycle.  
Change the engine oil if more than 4 months have passed since the start of storage.
2. Check the battery electrolyte level and charge the battery as required. Install the battery.
3. Drain any excess aerosol rust-inhibiting oil from the fuel tank. Fill the fuel tank with fresh petrol.
4. Perform all Pre-ride Inspection checks (page 34 ).  
Test ride the motorcycle at low speeds in a safe riding area away from traffic.

# SPECIFICATIONS

## DIMENSIONS

Overall length	2,220 mm (87.4 in) ·· AR, I G, II G, III G, SW
	2,155 mm (84.8 in) ·· E, ED, F, SP, U
Overall width	780 mm (30.7 in)
Overall height	1,100 mm (43.3 in)
Wheelbase	1,495 mm (58.9 in)

## WEIGHT

Dry weight	215.0 kg (474.0 lbs)
------------	----------------------

## CAPACITIES

Engine oil	After draining	2.8 ℓ (3.0 US qt , 2.5 Imp qt)
	After draining and oil filter change	3.0 ℓ (3.2 US qt , 2.6 Imp qt)
	After disassembly	3.8 ℓ (4.0 US qt , 3.3 Imp qt)
Fuel tank		20.0 ℓ (5.28 US gal , 4.40 Imp gal)
Fuel reserve		3.0 ℓ (0.79 US gal , 0.66 Imp gal)
Passenger capacity		Operator and one passenger
Maximum weight capacity		190 kg (419 lbs)

## ENGINE

Bore and stroke	67 x 53 mm (2.64 x 2.09 mm)
Compression ratio	9.3 : 1
Displacement	747 cm <sup>3</sup> (45.6 cu-in)
Spark plug	
Standard	DPR8EA-9(NGK) or X24EPR-U9(NIPPONDENSO)
For extended high speed riding	DPR9EA-9(NGK) or X27EPR-U9(NIPPONDENSO)
Spark plug gap	0.8-0.9 mm (0.03-0.04 in)
Idle speed	1,200 ± 100 min <sup>-1</sup> (rpm) · · E,F, I G, II G, III G, ED, U, AR, SF 1,200 ± 50 min <sup>-1</sup> (rpm) · · SW

## CHASSIS AND SUSPENSION

Caster	26°
Trail	91 mm (3.6 in)
Tyre size, front	120/70R17 58V (DUNLOP)
	120/70ZR17 (MICHELIN)
Tyre size, rear	150/70R17 69V (DUNLOP)
	150/70ZR17 (MICHELIN)

## POWER TRANSMISSION

Primary reduction	1.780
Gear ratio, 1st	3.000
2nd	2.056
3rd	1.545
4th	1.240
5th	1.074
Final reduction	2.667

## **ELECTRICAL**

Battery

12V – 14Ah

Generator

0.24 kW/5,000 min<sup>-1</sup>(rpm)

## **LIGHTS**

Headlight

12V – 60/55W

Tail/brake light

12V – 5/21W x 2

Turn signal light

Front

12V – 21W

Rear

12V – 21W

Instrument lights

12V – 3.4W x 2

Neutral indicator light

12V – 1.7W

Turn signal indicator light

12V – 1.7W

High beam indicator light

12V – 1.7W

Low oil pressure indicator light

12V – 1.7W

Side stand indicator

12V – 1.7W

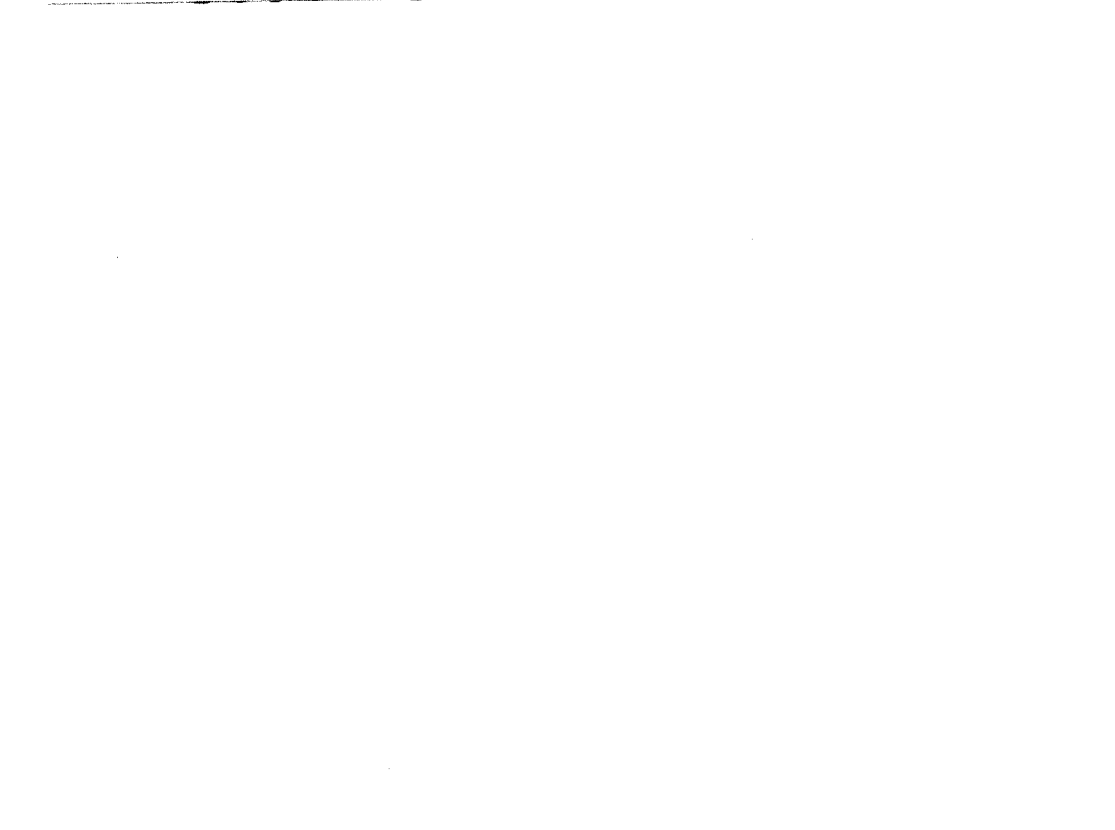
## **FUSE**

30A(Main fuse)

10A,15A

## **NOISE CONTROL SYSTEM (AUSTRALIA ONLY)**

**TAMPERING WITH THE NOISE CONTROL SYSTEM IS PROHIBITED:** Owners are warned that the law may prohibit : (a) The removal or rendering inoperative by any person other than for purposes of maintenance, repair, or replacement, of any device or element of design incorporated into any new vehicle for the purpose of noise control prior to its sale or delivery to the ultimate purchaser or while it is in use; and (b) the use of the vehicle after such device or element of design has been removed or rendered inoperative by any person.





**HONDA**

**CB750F2**

**CB SevenFifty**

**MANUEL DU CONDUCTEUR**



## **AVIS IMPORTANT**

- **CONDUITE EN DUO**

Cette moto a été conçue pour une utilisation en duo (un pilote et un passager). Ne jamais dépasser le poids total autorisé figurant sur l'étiquette d'indications des pneus.

- **UTILISATION SUR ROUTE EXCLUSIVEMENT**

Cette moto n'est destinée qu'à une utilisation routière.

- **LIRE CE MANUEL TRES ATTENTIVEMENT**

Accorder une attention particulière aux indications signalées comme suit:

### **▲ ATTENTION**

Signale un risque important de blessures corporelles ou d'accident mortel si les instructions ne sont pas suivies.

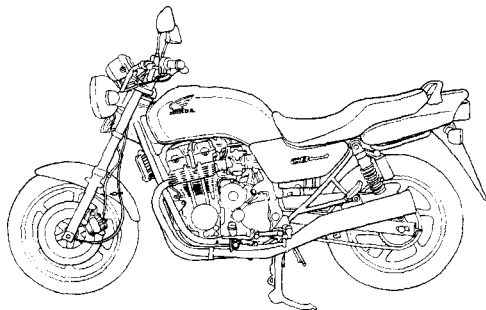
### **PRECAUTION**

Signale un risque d'accident corporel ou de dommage du véhicule si les instructions ne sont pas suivies.

**NOTE:** Fournit des renseignements utiles.

Ce manuel doit être considéré comme faisant partie de la moto et doit l'accompagner en cas de revente.

**HONDA CB750F2  
CB SevenFifty  
MANUEL DU CONDUCTEUR**



**Toutes les informations de cette publication sont basées sur les dernières données disponibles concernant le produit au moment de la mise sous presse. HONDA MOTOR CO., LTD. se réserve le droit d'effectuer des modifications à tout moment sans préavis et sans aucune obligation de sa part. Aucune partie de cette publication ne peut être reproduite sans autorisation écrite.**

## BIENVENUE

La moto vous donne l'occasion de "dominer la machine" et de relever le défi que vous lance l'aventure. Vous roulez dans le vent, relié à la route par un véhicule qui répond à vos commandes mieux que tous les autres. Contrairement à une voiture, vous n'êtes pas enfermé dans une cage métallique. Tout comme pour un avion, les contrôles avant chaque utilisation et l'entretien périodique sont essentiels pour assurer votre sécurité. Ils vous permettront en contrepartie de profiter pleinement de votre liberté.

Pour goûter aux plaisirs de l'aventure en sécurité, vous devrez vous familiariser avec le contenu de ce manuel AVANT DE PILOTER VOTRE MOTO.

Lorsqu'une réparation ou une intervention d'entretien sont nécessaires, n'oubliez pas que c'est votre concessionnaire Honda qui connaît le mieux votre moto. Si vous êtes mécaniquement compétent et disposez de l'outillage nécessaire, votre concessionnaire pourra vous fournir le Manuel d'Atelier Honda officiel qui vous permettra d'effectuer de nombreux travaux d'entretien et de réparation.

Nous vous souhaitons bonne route et vous remercions d'avoir choisi une Honda !

- Dans ce manuel, les codes utilisés pour les différents pays sont les suivants :

AR	Autriche	F	France	SP	Espagne
E	Royaume-Uni	IG	Allemagne I Finlande Danemark Norvège	U	Îles Canaries Australie Nouvelle-Zélande
ED	Ventes directes pour l'Europe				
	Belgique	IIG	Allemagne II Suède	* IG... Type pleine puissance * IIG... Type puissance limitée * IIIG... Type puissance limitée	
	Italie				
	Hollande	IIIG	Allemagne III		
	Portugal	SW	Suisse		
	Grèce				

- Les caractéristiques risquent de varier en fonction du lieu d'utilisation.

# UTILISATION

Page		Page	
1	LA SECURITE DU PILOTAGE	30	CARACTERISTIQUES
1	Règles de sécurité pour le pilotage		(Non nécessaires pour le pilotage)
2	Vêtements de protection	30	Antivol de direction
2	Modifications	31	Porte-casque
3	Chargement et accessoires	32	Selle
		32	Compartiment à documents
6	EMPLACEMENT DES PIECES	33	Cache latéral
9	Instruments de bord et témoins		
		34	UTILISATION
12	ELEMENTS PRINCIPAUX	34	Contrôles avant l'utilisation
	(Points à connaître pour le pilotage)	35	Mise en marche du moteur
12	Suspension	38	Rodage
13	Freins	39	Pilotage
17	Embrayage	41	Freinage
19	Essence	42	Stationnement
23	Huile moteur	42	Conseils pour éviter le vol
24	Pneus tubeless		
27	COMMANDES PRINCIPALES		
27	Contacteur d'allumage		
28	Commandes au bras droit du guidon		
29	Commandes au bras gauche du guidon		

## **ENTRETIEN**

Page

43	ENTRETIEN
44	Programme d'entretien
47	Trousse à outils
48	Numéros de série
49	Étiquette de coloris
50	Précautions L'entretien
51	Huile moteur
54	Reniflard de carter moteur
55	Bougies d'allumage
57	Fonctionnement de la commande des gaz
58	Régime de ralenti
59	Filtre à air
60	Chaîne secondaire
65	Glissière de chaîne secondaire
66	Béquille latérale
67	Dépose des roues
74	Usure des plaquettes de frein
76	Batterie
79	Remplacement des fusibles
81	Remplacement de l'ampoule

Page

87	NETTOYAGE
89	GUIDE DE REMISAGE
89	Remisage
90	Fin du remisage
91	CARACTERISTIQUES

# LA SECURITE DU PILOTAGE

## ATTENTION

- \* Le pilotage d'une moto demande de la part du pilote un effort particulier pour assurer sa sécurité. Avant de prendre la route, bien assimiler les règles suivantes:

### REGLES DE SECURITE POUR LE PILOTAGE

1. Avant de mettre le moteur en marche, toujours effectuer les "contrôles avant l'utilisation" (page 34). Ceci permettra d'éviter des accidents ou d'endommager la moto.
2. De nombreux accidents ont pour victimes des pilotes inexpérimentés. La plupart des pays exigent un examen de conduite ou un permis spécial moto. Avant de prendre la route, s'assurer que l'on est en règle. NE JAMAIS prêter sa moto à un pilote inexpérimenté.
3. De nombreux accidents entre moto et voiture viennent du fait que l'automobiliste n'a pas "vu" le motocycliste.  
Veiller à bien être visible pour ne pas être la victime non responsable d'un accident. Pour cela:
  - Porter des vêtements clairs ou réfléchissants.

- Eviter de se trouver dans l'angle mort de visibilité d'un automobiliste.
4. Respecter toutes les lois et réglementations nationales et locales.
    - L'excès de vitesse est responsable de nombreux accidents. Ne pas dépasser les limites de vitesse et NE JAMAIS rouler plus vite que conditions ne l'autorisent.
    - Signaler son intention de tourner ou de changer de voie aux autres usagers. La taille et la maniabilité de la moto peuvent les surprendre.
  5. Ne pas se laisser surprendre par les autres automobilistes. Redoubler de prudence aux intersections, sorties et entrées de parking et voies privées.
  6. Garder les deux mains sur le guidon et les deux pieds sur les repose-pied pendant la conduite. Le passager doit se tenir à la moto ou au pilote avec les deux mains et garder les deux pieds sur les repose-pied passager.

## VETEMENTS DE PROTECTION

1. La plupart des décès dans les accidents de moto sont dus à des blessures à la tête: **TOUJOURS** porter un casque. S'équiper de lunettes ou d'un écran de protection et porter des bottes, des gants et des vêtements protecteurs. La même protection est nécessaire pour le passager.
2. Le système d'échappement devient très chaud pendant la marche, et le reste un certain temps après l'arrêt. Ne jamais toucher les pièces du système d'échappement lorsqu'il est chaud. Porter des vêtements qui recouvrent entièrement les jambes.
3. Ne pas porter des vêtements trop amples qui peuvent se prendre dans les leviers de commande, les repose-pied la chaîne secondaire, ou les roues.

## MODIFICATIONS

### **ATTENTION**

- \* **Toute modification de la moto ou tout retrait de l'équipement monté d'origine peuvent affecter la sécurité et contrevenir à la réglementation. Respecter toutes les réglementations nationales et locales concernant l'équipement.**



## CHARGEMENT ET ACCESSOIRES

### **▲ ATTENTION**

\* Pour ne pas risquer un accident, ne pas ajouter inconsidérément des accessoires ou un chargement supplémentaires peuvent affecter la stabilité et les performances de la moto tout en abaissant la vitesse limite admissible. Ne jamais dépasser 130 km/h avec une moto équipée d'accessoires. Et ne pas oublier que cette limite de 130 km/h peut être encore abaissée par l'utilisation d'accessoires d'une autre provenance que Honda, par un chargement non-approprié, par des pneus usés, un mauvais état général de la moto, un mauvais état de la route, des conditions climatiques défavorables etc. Ces règles générales aideront le pilote à décider de l'opportunité d'équiper ou de charger sa moto et de la manière dont il doit le faire pour assurer sa sécurité.

### Chargement

Le poids cumulé du pilote, du passager, du chargement et des accessoires ajoutés ne doit pas dépasser le poids total autorisé:

190 kg

Le poids du chargement seul ne doit pas dépasser:

27 kg

1. Maintenir le poids du chargement et des accessoires bas et près du centre de la moto. Répartir le poids uniformément des deux côtés pour minimiser le déséquilibre. Plus le poids se trouve loin du centre de gravité de la moto, moins bonne est la tenue de route.
2. Régler la pression des pneus (page 24) et la suspension arrière (page 12) en fonction de la charge et des conditions de pilotage.

3. La tenue de route et la stabilité peuvent être affectées par un chargement mal attaché. Vérifier fréquemment la fixation du chargement et le montage des accessoires.
4. Ne pas fixer d'objets volumineux ou lourds (tels que sac de couchage ou tente) au guidon, sur la fourche ou sur le garde-boue. Ceci affecterait la tenue de route et la réponse de la direction.

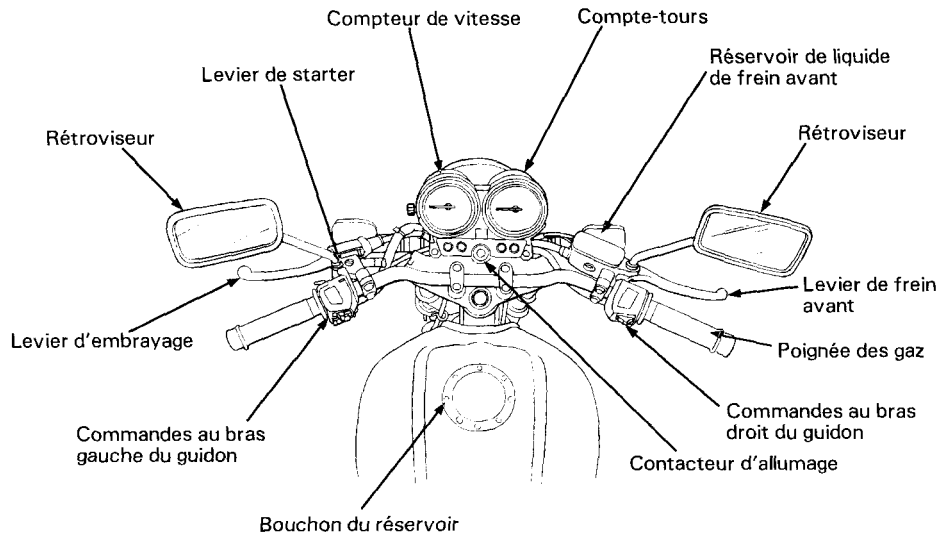
### **Accessoires**

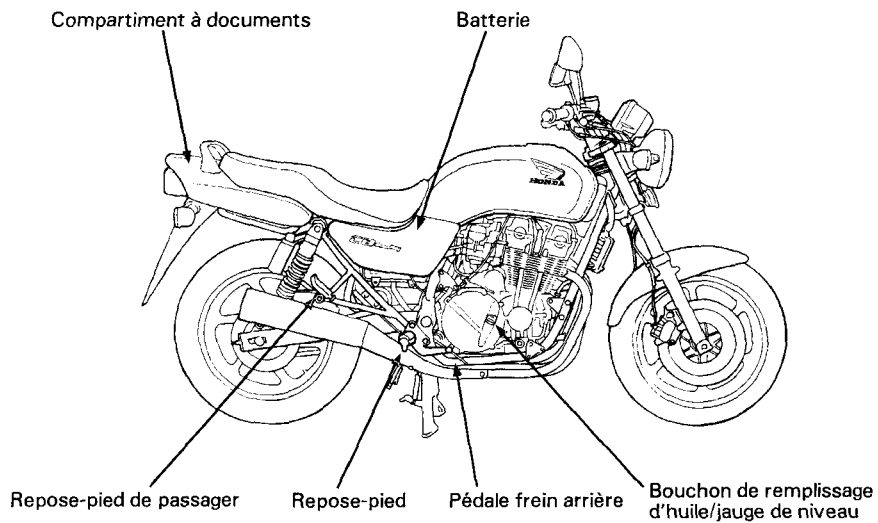
Les accessoires Honda d'origine ont été spécialement conçus pour cette moto et ont été testés sur elle. Nos usines ne peuvent tester tous les accessoires en vente sur le marché et le pilote est donc personnellement responsable du choix, de la pose et de l'utilisation d'accessoires d'une autre provenance que Honda. Toujours observer les directives données sous "Chargement" ainsi que les règles suivantes:

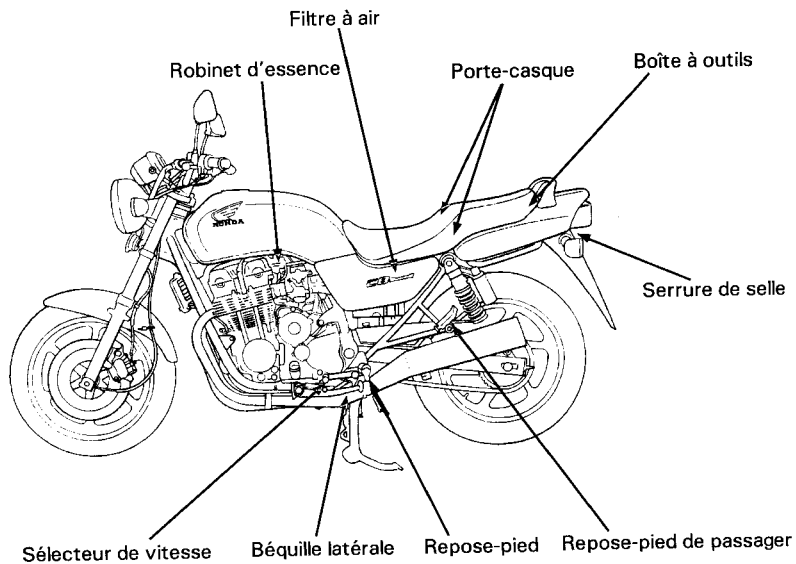
1. Contrôler soigneusement l'accessoire pour s'assurer qu'il ne masque aucun feu, qu'il ne réduit pas la garde au sol ou l'angle d'inclinaison maximale dans les virages et qu'il ne limite pas le débattement de la suspension, le braquage ou le fonctionnement des commandes.
2. Les grands carénages ou pare-brise de tête de fourche et les carénages mal conçus ou mal montés peuvent engendrer des forces aérodynamiques qui affectent la stabilité de la tenue de route. Ne pas poser de carénages qui entravent le passage de l'air de refroidissement vers le moteur.

3. Les accessoires qui modifient la position de conduite en éloignant les mains ou les pieds des commandes peuvent retarder la réponse du pilote en cas d'urgence.
4. Ne pas ajouter un équipement électrique dont la consommation dépasse les capacités du circuit électrique de la moto. Un fusible qui saute peut entraîner une extinction des feux ou une perte de puissance du moteur qui risquent d'être dangereux.
5. Cette moto n'est pas prévue pour tirer un sidecar ou une remorque. Avec de tels équipements, son comportement routier en serait sérieusement affecté.

## EMPLACEMENT DES PIECES



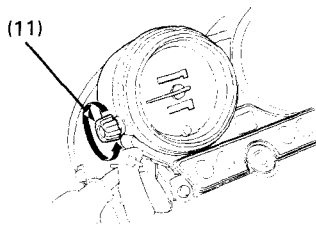
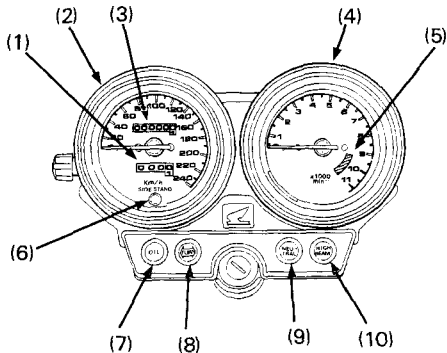




## INSTRUMENTS DE BORD ET TEMOINS

Les indicateurs sont logés dans le tableau de bord. Leurs fonctions sont décrites dans les tableaux des pages suivantes.

- (1) Compteur journalier
- (2) Compteur de vitesse
- (3) Compteur kilométrique
- (4) Compte-tours
- (5) Zone rouge du compte-tours
- (6) Témoin de béquille latérale
- (7) Témoin de basse pression d'huile
- (8) Témoin de clignotant
- (9) Témoin de point-mort
- (10) Témoin de feu de route
- (11) Bouton de remise à zéro du compteur journalier



(N° de réf.) Désignation	Fonction
(1) Compteur journalier	Indique le kilométrage parcouru par voyage.
(2) Compteur de vitesse	Indique la vitesse de la moto.
(3) Compteur kilométrique	Indique le kilométrage total parcouru.
(4) Compte-tours	Indique le régime moteur.
(5) Zone rouge du compte-tours	<p>Ne jamais laisser l'aiguille du compte-tours pénétrer dans la zone rouge, même si le moteur est déjà rodé.</p> <p><b>PRECAUTION</b></p> <p>* Faire tourner le moteur à un régime supérieur au régime maximal spécifié pourrait endommager le moteur.</p>
(6) Témoin de béquille latérale	<p>S'allume lorsque la béquille latérale est abaissée. Avant de stationner, vérifier que la béquille latérale est complètement abaissée; le témoin indique seulement si le système de coupure d'allumage de la béquille latérale (page35) a été activé.</p>



(N° de réf.) Désignation	Fonction
(7) Témoin de basse pression d'huile	<p>S'allume lorsque la pression d'huile du moteur est inférieure à la pression normale de fonctionnement. Doit s'allumer lorsque le contacteur d'allumage est sur ON et que le moteur ne tourne pas. Doit s'éteindre lorsque le moteur démarre; toutefois, un clignotement se produit occasionnellement au régime de ralenti lorsque le moteur est chaud.</p> <p><b>PRECAUTION</b></p> <p><b>* Si le moteur tourne avec une pression d'huile insuffisante, il risque d'être sérieusement endommagé.</b></p>
(8) Témoin de clignotant	Clignote lorsqu'on actionne l'un des clignotants.
(9) Témoin de point-mort (vert)	S'allume lorsque la boîte de vitesses est au point-mort.
(10) Témoin de feu de route (bleu)	S'allume pour signaler que le phare est en position feu de route.
(11) Bouton de remise à zéro du compteur journalier	Remet le totalisateur journalier à zéro (0). Tourner le bouton dans le sens indiqué.

## ELEMENTS PRINCIPAUX (Points à connaître pour le pilotage)

### ATTENTION

\* En n'effectuant pas les contrôles avant l'utilisation (page 34), on risque de graves blessures corporelles ou des dommages importants du véhicule.

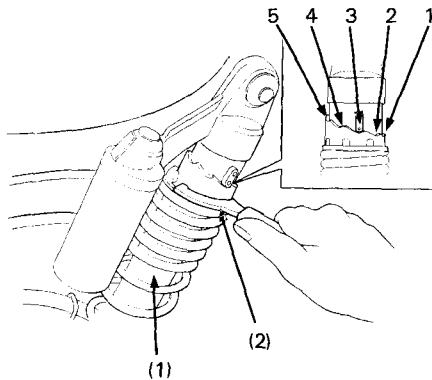
### SUSPENSION

Chaque amortisseur (1) comporte 5 positions de réglage convenant à des conditions de charge et de pilotage différentes.

Le réglage des amortisseurs arrière s'effectue au moyen d'une clé à ergot (2).

La position 1 est destinée à des charges légères et à des routes lisses. Les positions 2 à 5 augmentent la précharge de ressort, durcissant la suspension arrière; elles s'utilisent lorsque la moto est lourdement chargée. Régler les deux amortisseurs sur la même position.

Position standard: 2



- (1) Amortisseur
- (2) Clé à ergot

## FREINS

Les freins avant et arrière sont des freins hydrauliques à disque.

Lorsque les plaquettes de frein s'usent, le niveau de liquide de frein descend.

Aucun réglage n'est nécessaire, mais il faut vérifier périodiquement le niveau de liquide et l'usure des plaquettes. Le circuit doit être contrôlé fréquemment pour s'assurer qu'il n'y a pas de fuites de liquide. Si la garde au levier ou à la pédale de frein est excessive bien que les garnitures ne soient pas usées au-delà de la limite recommandée (page 74), il est probable qu'il y ait de l'air dans le circuit et il convient de le purger. Pour cette opération, s'adresser à un concessionnaire agréé Honda.

Niveau de liquide frein avant:

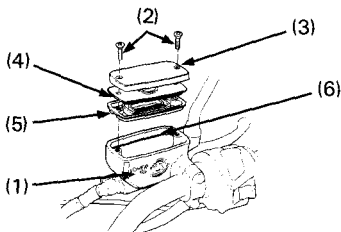
### ▲ ATTENTION

- \* Le liquide de frein peut provoquer des irritations. Eviter qu'il ne vienne en contact avec la peau ou les yeux. En cas de contact, rincer abondamment à l'eau la partie touchée et, si les yeux ont été atteints, appeler un médecin.
- \* **TENIR HORS DE PORTEE DES ENFANTS.**

### PRECAUTION

- \* Manipuler le liquide de frein avec précaution car il attaque le plastique et les surfaces peintes.
- \* Lors de l'appoint du liquide de frein, veiller à ce que le réservoir soit à l'horizontale avant de retirer le couvercle. Sinon, le liquide de frein pourrait se renverser.
- \* N'utiliser que du liquide de frein DOT 4 provenant d'un bidon fermé.
- \* Veiller à ce qu'aucune substance étrangère telle que saleté ou eau ne pénètre dans le réservoir de liquide de frein.

Du liquide de frein doit être ajouté dans le réservoir chaque fois que le niveau approche du repère INFÉRIEUR (1). Retirer les vis (2), le couvercle du réservoir (3), la plaque de membrane (4) et la membrane (5). Remplir le réservoir jusqu'au repère supérieur (6) avec du LIQUIDE DE FREIN DOT 4 provenant d'un bidon scellé. Reposer la membrane, la plaque de membrane, le couvercle du réservoir. Serrer les vis à fond.



- (1) Marque de niveau inférieur (LOWER)
- (2) Vis
- (3) Couvercle du réservoir
- (4) Plaque de membrane
- (5) Membrane
- (6) Repère de niveau supérieur (UPPER)

## Frein arrière

Niveau de liquide de frein arrière:

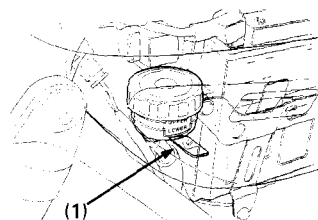
### ATTENTION

- \* Le liquide de frein peut provoquer des irritations. Éviter qu'il ne vienne en contact avec la peau ou les yeux. En cas de contact, rincer abondamment à l'eau la partie touchée et, si les yeux ont été atteints, appeler un médecin.
- \* TENIR HORS DE PORTEE DES ENFANTS.

### PRECAUTION

- \* Manipuler le liquide de frein avec précaution car il attaque le plastique et les surfaces peintes.
- \* Lors de l'appoint du liquide de frein, veiller à ce que le réservoir soit à l'horizontale avant de retirer le couvercle. Sinon, le liquide de frein pourrait se renverser.
- \* N'utiliser que du liquide de frein DOT 4 provenant d'un bidon fermé.
- \* Veiller à ce qu'aucune substance étrangère telle que saleté ou eau ne pénètre dans le réservoir de liquide de frein.

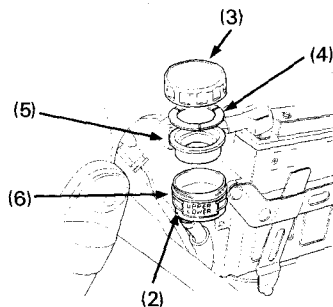
Vérifier le niveau du liquide de frein par le hublot de contrôle (1) du cache latéral droit avec la moto à la verticale.



(1) Hublot de contrôle

Du liquide de frein doit être ajouté dans le réservoir chaque fois que le niveau approche du repère INFÉRIEUR (2). Retirer le cache latéral droit (page 33). Retirer le capuchon du réservoir (3), la plaque de membrane (4) et la membrane (5). Remplir le réservoir jusqu'au repère

supérieur (6) avec du LIQUIDE DE FREIN DOT 4 provenant d'un bidon scellé. Reposer solidement la membrane, la plaque de membrane et le capuchon du réservoir.



- (2) Marque de niveau inférieur (LOWER)
- (3) Capuchon du réservoir
- (4) Plaque de membrane
- (5) Membrane
- (6) Repère de niveau supérieur (UPPER)

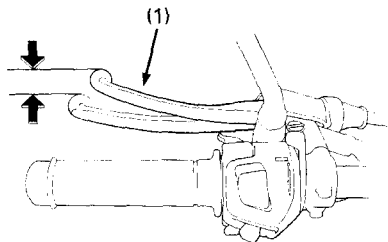
Autres contrôles:

S'assurer qu'il n'y a pas de fuites de liquide.  
Vérifier si les flexibles et raccords ne sont pas détériorés ou fissurés.

## EMBRAYAGE

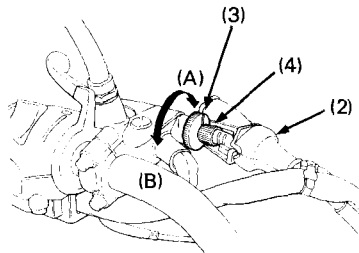
Il peut être nécessaire de régler l'embrayage si la moto cale lors de l'engagement d'un rapport, si elle a tendance à avancer au débrayé ou si l'embrayage patine, provoquant un retard de l'accélération sur le régime moteur. De petits réglages peuvent être effectués à l'aide du tendeur de câble d'embrayage (4) au niveau du levier (1).

La garde normale au levier d'embrayage est de:  
10—20 mm



(1) Levier d'embrayage

1. Tirer le cache-poussière en caoutchouc en arrière (2). Desserrer le contre-écrou (3) et agir sur le tendeur (4). Resserrer le contre-écrou (3) et vérifier le réglage.
2. Si le tendeur est presque entièrement dévissé ou si l'on ne peut obtenir un réglage correct de la garde, desserrer le contre-écrou (3) et visser entièrement le tendeur (4). Resserrer le contre-écrou (3) et remettre le cache-poussière en place.



- |                      |  |
|----------------------|--|
| (2) Cache-poussière  | (A) Augmentation de la garde           |
| (3) Contre-écrou     | (B) Diminution de la garde d'embrayage |
| (4) Tendeur de câble |  |

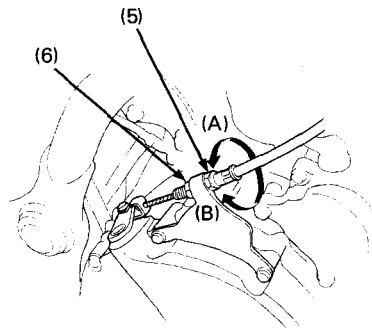
3. Desserrer le contre-écrou (6) à l'extrémité inférieure du câble. Agir sur l'écrou de réglage (5) pour obtenir la garde spécifiée. Resserrer le contre-écrou (6) et vérifier le réglage.
4. Mettre le moteur en marche, serrer le levier d'embrayage et engager un rapport. S'assurer que le moteur ne cale pas et que la moto n'avance pas au débrayé. Relâcher progressivement le levier d'embrayage et ouvrir la poignée des gaz. La moto doit commencer à bouger en douceur et accélérer progressivement.

**NOTE:**

- \* Si l'embrayage ne peut être correctement réglé ou s'il ne fonctionne pas correctement, s'adresser à un concessionnaire agréé Honda.

Autres contrôles:

S'assurer que le câble d'embrayage n'est pas vrillé ou usé ce qui pourrait provoquer son grippage ou sa rupture. Graisser le câble d'embrayage avec un lubrifiant pour câble en vente dans le commerce pour le protéger contre une usure prématurée et contre la corrosion.



- |                      |                              |
|----------------------|------------------------------|
| (5) Ecrou de réglage | (A) Augmentation de la garde |
| (6) Contre-écrou     | (B) Diminution de la garde   |



## ESSENCE

### OFF

Lorsque le robinet d'essence est sur la position OFF, l'essence ne passe pas du réservoir au carburateur. Toujours placer le robinet sur OFF lorsque la moto n'est pas utilisée.

### ON

Lorsque le robinet d'essence est sur la position ON, l'essence passe de l'alimentation principale d'essence au carburateur.

### RES

Lorsque le robinet d'essence est sur la position RES, l'essence passe de la réserve au carburateur. N'utiliser la réserve d'essence que si l'alimentation principale est épuisée. Faire le plein le plus tôt possible après avoir mis le robinet sur la position RES.

La capacité de la réserve d'essence est de:

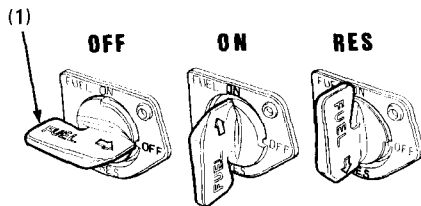
3,0 l

## ⚠ ATTENTION

\* Pour ne pas risquer une panne d'essence en roulant, ce qui pourrait se traduire par un arrêt brutal, s'exercer à manoeuvrer le robinet d'essence en pilotant.

### NOTE:

\* N'oublier pas de vérifier que le robinet d'essence est dans la position ON chaque fois que l'on fait le plein. Si le robinet est laissé sur la position RES, l'on risque de tomber en panne sèche, sans réserve.



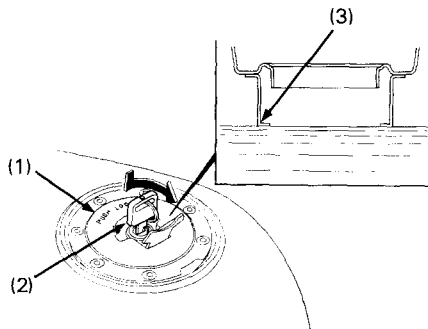
(1) Robinet d'essence

## Réservoir d'essence

La capacité du réservoir d'essence y compris la réserve est de:

20,0 l

Pour ouvrir le bouchon du réservoir (1), introduire la clé de contact (2) et tourner dans le sens des aiguilles d'une montre. Le bouchon à charnières s'ouvre en tournant la clé.



- (1) Bouchon du réservoir
  - (2) Clé de contact
  - (3) Goulot de remplissage
- 20**

Après avoir fait le plein, fermer le bouchon en l'introduisant dans le goulot de remplissage, jusqu'au déclic de blocage. Enlever la clé.

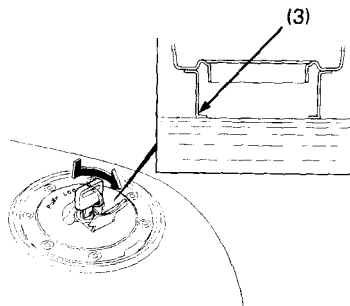
Utiliser de l'essence sans plomb ou à faible teneur en plomb avec un indice d'octane recherché de 91 ou plus. Nous vous recommandons d'utiliser de l'essence sans plomb car elle produit moins de dépôts dans le moteur et sur les bougies d'allumage et prolonge la durée de vie des composants du système d'échappement.

### PRECAUTION

\* Si un "cognement" ou un "cliquetis" se produit alors que le régime moteur est stable sous une charge normale, changer de marque d'essence. Si le cognement ou le cliquetis persiste, s'adresser à un concessionnaire Honda. A défaut, ceci serait considéré comme un cas de mauvaise utilisation et les dommages causés par une mauvaise utilisation ne sont pas couverts par la garantie limitée Honda.

## ▲ ATTENTION

- \* L'essence est une substance extrêmement inflammable qui peut exploser dans certaines conditions. Faire le plein dans un endroit bien aéré et avec le moteur arrêté. Ne pas fumer et n'approcher ni flammes, ni étincelles près de l'endroit de stockage de l'essence ou près du moteur au moment de faire le plein.
- \* Ne pas trop remplir le réservoir (l'essence ne doit pas atteindre le goulot de remplissage (3)). Après avoir refait le plein, s'assurer que le bouchon de remplissage d'essence est bien refermé.
- \* Prendre garde de ne pas renverser d'essence lorsqu'on fait le plein. L'essence renversée ou les vapeurs d'essence risquent de s'enflammer. Si de l'essence a été renversée, l'essuyer avant de mettre le moteur en marche.
- \* Éviter un contact répété ou prolongé de l'essence avec la peau et ne pas respirer les vapeurs d'essence.  
**TENIR L'ESSENCE HORS DE PORTEE DES ENFANTS.**



(3) Goulot de remplissage

### **Essences contenant de l'alcool**

Si l'on décide d'utiliser une essence contenant de l'alcool ("essence-alcool"), assurer que son indice d'octane est au moins égal à l'indice recommandé. Il existe deux types d'"essence alcool": le premier contient de l'éthanol, le second du méthanol. Ne pas utiliser une essence-alcool contenant plus du 10 % d'éthanol. Ne pas utiliser une essence contenant du méthanol (alcool méthylique ou alcool de bois) sans solvants et inhibiteurs de corrosion pour méthanol. Ne jamais utiliser une essence contenant plus de 5 % de méthanol, ceci même si elle contient des solvants et des inhibiteurs de corrosion.

### **NOTE:**

- \* Les dommages du circuit d'alimentation ou les problèmes de performances du moteur résultant de l'utilisation de carburants contenant de l'alcool ne sont pas couverts par la garantie. Honda n'est pas en mesure d'approuver l'utilisation de carburants contenant du méthanol car la preuve n'est pas encore pleinement faite qu'ils sont bien adaptés.
- \* Avant de se ravitailler dans une station-service que l'on connaît mal, essayer de savoir si l'essence contient de l'alcool, quel est le type d'alcool utilisé et dans quel pourcentage. Si l'on constate une anomalie de fonctionnement après avoir utilisé une essence contenant de l'alcool, ou une essence que l'on suspecte d'en contenir, revenir à une essence que l'on sait ne pas contenir d'alcool.

## HUILE MOTEUR

### Contrôle du niveau d'huile moteur

Vérifier le niveau d'huile moteur avant la première utilisation de la journée.

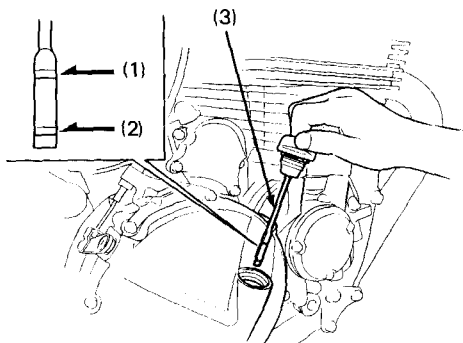
L'huile doit être maintenue entre les repères de niveau maximum (1) et minimum (2) de la jauge (3).

1. Mettre le moteur en marche et le laisser tourner au ralenti pendant quelques minutes. S'assurer que le témoin rouge de pression d'huile s'éteint. Si le témoin rouge reste allumé, arrêter immédiatement le moteur.
2. Arrêter le moteur et placer la moto à la verticale sur un sol horizontal et ferme.
3. Attendre quelques minutes, puis retirer le bouchon de remplissage/jauge d'huile. Essuyer la jauge et la réintroduire sans la visser. Retirer la jauge. Le niveau d'huile doit se trouver entre les repères supérieur et inférieur de la jauge.
4. Si nécessaire, faire l'appoint d'huile préconisée (voir page 51) jusqu'au repère de niveau maximum. Ne pas trop remplir.

5. Remettre le bouchon de remplissage/jauge en place. Vérifier s'il n'y a pas de fuites d'huile.

### PRECAUTION

- \* Si le moteur tourne avec une pression d'huile insuffisante, il risque d'être sérieusement endommagé.



- (1) Repère de niveau maximum
- (2) Repère de niveau minimum
- (3) Bouchon de remplissage d'huile/jauge de niveau

## PNEUS TUBELESS

Cette moto est équipée de pneus, valves et jantes tubeless. N'utiliser que des pneus portant la mention "TUBELESS" et des valves tubeless sur des jantes marquées "TUBELESS TIRE APPLICABLE".

Une pression correcte procure une stabilité maximale, assure le meilleur confort de pilotage et prolonge la durée de service des pneus.

Vérifier fréquemment la pression des pneus et, si nécessaire, la régler.

### NOTE:

- \* La pression des pneus doit être contrôlée lorsque les pneus sont froids, avant de piloter.
- \* Les pneus tubeless possèdent une certaine propriété d'auto-obturation en cas de crevaison et leur dégonflement est souvent très lent. Vérifier soigneusement s'il n'y a pas de fuites, tout particulièrement si le pneu n'est pas entièrement gonflé.

Dimensions de pneu		
Avant	120/70R17 58V (DUNLOP) 120/70ZR17 (MICHELIN)	
Arrière	150/70R17 69V (DUNLOP) 150/70ZR17 (MICHELIN)	
Pressions des pneus à froid kPa (kg/cm <sup>2</sup> )		
En solo	Avant	250 (2,50)
	Arrière	250 (2,50)
En duo	Avant	250 (2,50)
	Arrière	290 (2,90)
Marque de pneu TUBELESS UNIQUEMENT		
DUNLOP	Avant	D202F
	Arrière	D202
MICHELIN	Avant	A89X
	Arrière	M89X

Rechercher la présence éventuelle de coupures, de clous ou autres objets perforants dans la structure du pneu. Vérifier si les jantes ne sont ni entaillées ni déformées. Si un dommage est constaté, s'adresser à un concessionnaire agréé Honda pour la réparation, le remplacement et l'équilibrage.

#### **▲ ATTENTION**

- \* **Un gonflage incorrect des pneus entraîne une usure anormale de la bande de roulement et affecte la sécurité. Un gonflage insuffisant peut conduire à un glissement du pneu sur la jante ou à un déjantement, ce qui peut provoquer le dégonflement du pneu et faire perdre le contrôle du véhicule.**
- \* **Il est dangereux de rouler avec des pneus excessivement usés car ceci affecte la traction et la tenue de route.**

Remplacer les pneus avant que la profondeur de sculpture au centre du pneu n'ait atteint la limite suivante:

Profondeur minimale de sculpture	
Avant	1,5 mm
Arrière	2,0 mm

**Réparation/remplacement des pneus:**  
S'adresser à un concessionnaire Honda.

### **ATTENTION**

- \* L'utilisation de pneus autres que ceux figurant sur l'étiquette d'indications des pneus peut affecter la tenue de route.
- \* Ne pas poser des pneus à chambre à air sur des jantes tubeless. Les talons peuvent ne pas trouver assise et les pneus glisser sur les jantes, provoquant ainsi un dégonflement du pneu pouvant faire perdre le contrôle du véhicule.
- \* Ne pas poser une chambre à air dans un pneu tubeless. Un échauffement excessif peut provoquer un éclatement et un dégonflement rapide du pneu pouvant faire perdre le contrôle du véhicule.
- \* Remplacer le pneu si son flanc est crevé ou endommagé. Une flexion du flanc du pneu peut faire "sauter" la réparation et provoquer un dégonflement du pneu pouvant faire perdre le contrôle du véhicule.

### **ATTENTION**

- \* Pour la stabilité de la tenue de route, il est nécessaire que la roue soit correctement équilibrée. Ne pas retirer ni changer de place les plombs d'équilibrage de la roue. Pour l'équilibrage des roues, s'adresser à un concessionnaire Honda. Un équilibrage de la roue est nécessaire après la réparation ou le remplacement du pneu.
- \* Pour ne pas risquer que la réparation "saute" et que le dégonflement du pneu fasse perdre le contrôle du véhicule, ne pas dépasser 80 km/h pendant les 24 premières heures qui suivent la réparation et 120 km/h après cela.

### **PRECAUTION**

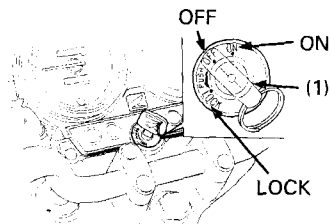
- \* Ne pas essayer de démonter les pneus sans chambre sans outils spéciaux et protecteurs de jante. On risquerait d'endommager la surface d'étanchéité de la jante ou de déformer la jante.



## COMMANDES PRINCIPALES

### CONTACTEUR D'ALLUMAGE

Le contacteur d'allumage (1) se trouve sous le panneau de témoins.



(1) Contacteur d'allumage

Position de la clé	Fonction	Retrait de la clé
LOCK (antivol de direction)	La direction est bloquée. Le moteur ne peut pas être mis en marche et les feux ne peuvent pas être allumés.	La clé peut être retirée.
P (stationnement) <Type AR>	Pour stationner à proximité de la circulation. Le feu arrière et le feu de position sont allumés, mais tous les autres feux sont éteints. Le moteur ne peut pas être mis en marche.	La clé peut être retirée.
OFF	Le moteur ne peut pas être mis en marche et les feux ne peuvent pas être allumés.	La clé peut être retirée.
ON	Le moteur peut être mis en marche et les phares peuvent être allumés.	La clé ne peut pas être retirée.

## COMMANDES AU BRAS DROIT DU GUIDON

### Bouton d'arrêt du moteur

Le bouton d'arrêt du moteur (1) se trouve près de la poignée des gaz. Lorsque le bouton est sur la position RUN, le moteur fonctionne. Lorsqu'il est sur la position OFF, le moteur ne fonctionne pas. Ce bouton est destiné principalement aux cas d'urgence et doit normalement rester en position RUN.

### Commutateur du phare (Sauf type U)

Le commutateur du phare (2) comporte trois positions: "H", "P" et "OFF" marqué par un point à droite de "P".

H: Le phare, le feu arrière, le feu de position et l'éclairage du tableau de bord sont allumés.

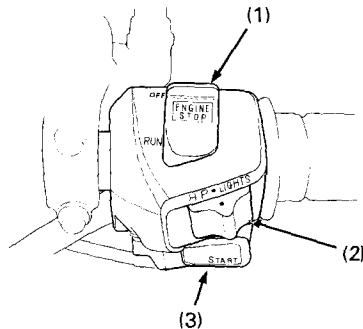
P: Le feu de position, le feu arrière et l'éclairage du tableau de bord sont allumés.

OFF (POINT): Le phare, le feu arrière, le feu de position et l'éclairage du tableau de bord sont éteints.

### Bouton de démarrage

Le bouton du démarreur (3) se trouve sous le commutateur du phare (2).

En appuyant sur le bouton de démarrage, le démarreur lance le moteur. Si l'interrupteur d'arrêt du moteur est positionné sur OFF, le démarreur ne fonctionne pas. Pour la méthode de démarrage, se reporter aux page 36 .



- (1) Bouton d'arrêt du moteur
- (2) Commutateur du phare
- (3) Bouton de démarreur

## COMMANDES AU BRAS GAUCHE DU GUIDON

### Inverseur code-phare (1)

Placer le commutateur phare-code sur "Hl" pour le feu de route et sur "LO" pour le code.

### Bouton d'appel de phare (2)

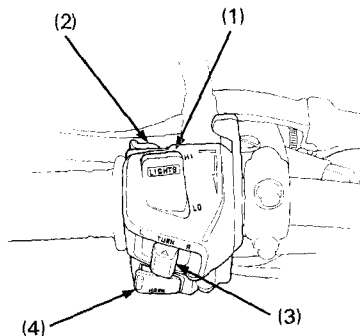
Appuyer sur ce bouton pour faire des appels de phares aux véhicules qui viennent d'en face ou que l'on s'apprête à dépasser.

### Inverseur de clignotant (3)

Placer le clignotant sur la position L pour signaler une intention de tourner à gauche. Le placer sur la position R pour signaler une intention de tourner à droite. Appuyer sur le clignotant pour l'éteindre.

### Bouton d'avertisseur sonore (4)

Appuyer sur ce bouton pour faire fonctionner l'avertisseur sonore.



- (1) Inverseur code-phare
- (2) Bouton d'appel de phare
- (3) Inverseur de clignotant
- (4) Bouton d'avertisseur sonore

## CARACTERISTIQUES

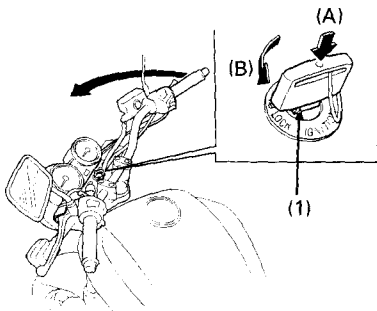
(Non nécessaires pour le pilotage)

### ANTIVOL DE DIRECTION

Pour verrouiller la direction, tourner le guidon à fond vers la gauche ou la droite et tourner la clé (1) sur P ou LOCK tout en appuyant dessus. Retirer la clé.

#### **ATTENTION**

\* Ne pas tourner la clé sur P ou sur LOCK pendant la marche, au risque de perdre le contrôle de la moto.



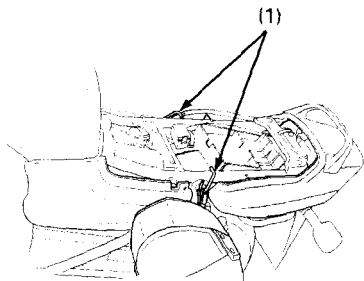
(1) Clé de contact

(A) Enfoncer

(B) Tourner sur LOCK

## PORTE-CASQUE

Les porte-casques se trouvent en dessous de la selle. Déposer la selle (voir page 32). Accrocher les casques aux crochets (1) des porte-casques. Reposer la selle et bien la verrouiller.



(1) Crochets du porte-casque

## ATTENTION

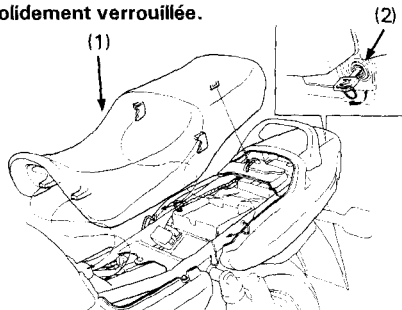
\* Le porte-casque est exclusivement destiné à être utilisé lorsque la moto est en stationnement. Ne pas rouler avec un casque accroché au porte-casque. Ceci pourrait affecter la sécurité de la moto et en faire perdre le contrôle.

## SELLE

Pour déposer la selle (1), insérer la clé de contact dans le verrou de selle (2) et la tourner dans le sens des aiguilles d'une montre. Tirer la selle en arrière et vers le haut. Pour reposer la selle, insérer la griffe dans l'encastrement situé sous la traverse du cadre, puis enfoncer en appuyant sur l'arrière de la selle.

### PRECAUTION

\* Après la repose, s'assurer que la selle est solidement verrouillée.



(1) Selle  
32

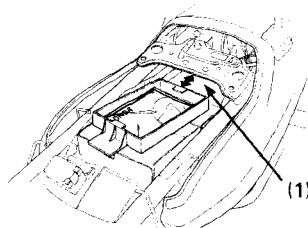
(2) Verrure de selle

## COMPARTIMENT À DOCUMENTS

La sacoche à documents est placée en dessous de la selle à l'intérieur du plateau situé à côté de la trousse à outils. Pour accéder aux documents, tirer le plateau vers l'extérieur.

Ce manuel du conducteur et les autres documents devraient être rangés dans le compartiment.

Lors du lavage de votre moto, veillez à ne pas inonder cet endroit.

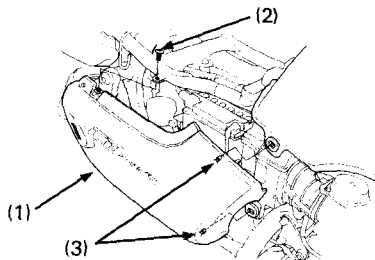


(1) Compartiment à documents

## CACHE LATÉRAL

Le cache latéral (1) doit être déposé pour l'entretien de la batterie et de l'élément de filtre à air. Pour déposer le cache latéral:

1. Déposer la selle.
2. Déposer les vis (2).
3. Sortir les languettes de retenue (3) des orifices à garniture en caoutchouc et déposer le couvercle latéral (1).



- (1) Cache latéral  
(2) Vis  
(3) Languettes de retenue

## NOTE:

\* Ne pas tirer sur le couvercle latéral alors que la vis (2) est en place.

## UTILISATION

### CONTROLES AVANT L'UTILISATION

#### **▲ ATTENTION**

**\* En n'effectuant pas les contrôles avant l'utilisation, on risque de graves blessures corporelles ou des dommages importants du véhicule.**

Contrôler la moto chaque jour avant de piloter. Les contrôles indiqués ci-dessous ne demandent que quelques minutes. A long terme, non seulement ils se traduiront par des économies de temps et de coûts, mais ils sauveront peut-être aussi la vie.

1. Niveau d'huile moteur—faire l'appoint d'huile moteur si nécessaire (page 23). Vérifier s'il n'y a pas de fuites.
2. Niveau d'essence—faire le plein si nécessaire (page 19). Vérifier s'il n'y a pas de fuites.
3. Fonctionnement des freins avant et arrière—s'assurer qu'il n'y a pas de fuite du liquide de frein (pages 13–16).

4. Pneus—vérifier leur état et la pression (page 24).
5. Chaîne secondaire—vérifier son état et sa tension (page 60). La régler et la graisser si nécessaire.
6. Poignée des gaz—s'assurer qu'elle s'ouvre en douceur et se ferme à fond dans toutes les positions du guidon.
7. Feux et avertisseur sonore—s'assurer que le phare, le feu arrière/stop, les clignotants, les témoins et l'avertisseur sonore fonctionnent correctement.
8. Interrupteur d'arrêt du moteur—s'assurer qu'il fonctionne correctement (page 28).
9. Système de coupure d'allumage de béquille latérale—s'assurer qu'il fonctionne correctement (page 66).

Avant de piloter, corriger tous les points incorrects. Si un problème ne peut être résolu, consulter un concessionnaire agréé Honda.



## MISE EN MARCHÉ DU MOTEUR

Cette moto est dotée d'un système de coupure de l'allumage de béquille latérale.

Le moteur ne peut être mis en marche avec la béquille abaissée que si la boîte de vitesses est au point-mort. Si la béquille latérale est relevée, le moteur peut être mis en marche au point-mort ou en prise si débrayé. Après le démarrage avec la béquille latérale abaissée, le moteur s'arrêtera si la boîte de vitesses est mise en prise.

### **▲ATTENTION**

**\* Ne jamais faire tourner le moteur dans un endroit clos. Les gaz d'échappement contiennent du monoxyde de carbone qui est un gaz toxique pouvant provoquer des évanouissements et être mortel.**

### NOTE:

\* Ne pas solliciter le démarreur pendant plus de 5 secondes d'affilée. Relâcher le bouton de démarrage pendant environ 10 secondes avant de l'enfoncer à nouveau.

Avant de mettre le moteur en marche, introduire la clé, la tourner sur ON et s'assurer que:

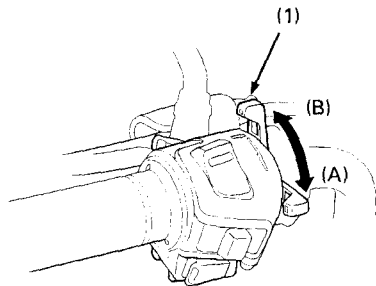
- La boîte de vitesses est au point mort (témoin de point mort allumé).
- L'interrupteur d'arrêt du moteur est sur RUN.
- Le témoin rouge de basse pression d'huile est allumé.
- Le robinet d'essence est sur ON.

### Méthode de démarrage

1. Si le moteur est froid, tirer le levier de starter (1) à fond vers l'arrière (A).
2. Appuyer sur le bouton de démarrage.

#### NOTE:

- \* Si le moteur ne démarre au bout de 5 secondes, relâcher le bouton de démarrage et attendre 10 secondes avant une autre tentative.



- (1) Levier de starter (A) Position ON complète  
(B) Position OFF complète

3. Faire chauffer le moteur jusqu'à ce qu'il tourne régulièrement avec le levier de starter bien sur la position OFF.

### PRECAUTION

- \* Le témoin rouge de basse pression d'huile doit s'éteindre quelques secondes après le démarrage du moteur. S'il reste allumé, arrêter immédiatement le moteur et vérifier le niveau d'huile moteur. Ne pas utiliser le moteur avec une pression d'huile insuffisante car ceci pourrait sérieusement l'endommager.

### **Moteur noyé**

Si le moteur ne démarre pas après plusieurs tentatives, il se peut qu'il soit noyé par un excès d'essence. Pour y remédier, laisser l'interrupteur d'arrêt du moteur sur RUN et appuyer sur le starter sur la position de fermeture complète (B). Ouvrir la poignée des gaz à fond et lancer le moteur pendant 5 secondes. Si le moteur démarre, couper rapidement les gaz, avant d'ouvrir légèrement si le régime de ralenti est irrégulier. Si le moteur ne démarre pas, attendre 10 secondes et se reporter à la procédure 1de démarrage.

## RODAGE

Durant le rodage initial, les surfaces nouvellement usinées de la moto sont en contact entre elles et s'usent rapidement. La révision de rodage aux 1.000 km a pour objet de corriger cette petite usure initiale. L'exécution en temps utile de cette révision permettra d'obtenir une durée de service maximale et les meilleures performances du moteur.

Les règles générales à observer sont les suivantes:

1. Ne jamais emballer le moteur lorsqu'il tourne à bas régime. Cette règle n'est pas seulement valable pour le rodage: elle doit être constamment respectée.
2. Durant les 1.000 premiers kilomètres, le régime maximum en continu ne doit pas dépasser  $5.000 \text{ min}^{-1}$  (tr/mn).
3. Augmenter le régime moteur maximum en continu de  $2.000 \text{ min}^{-1}$  (tr/mn) entre les indications de 1.000 km et 1.600 km du compteur kilométrique. Conduire sans mollesse, changer fréquemment d'allure et ne rouler à pleins gaz que par petits coups. Ne pas dépasser  $7.000 \text{ min}^{-1}$  (tr/mn).

4. Lorsque l'indication du compteur kilométrique atteint 1.600 km, il devient possible de rouler à pleins gaz. Toutefois, ne jamais dépasser  $8.600 \text{ min}^{-1}$  (tr/mn) (zone rouge du compteur).

### PRECAUTION

- \* **Faire tourner le moteur à un régime supérieur au régime maximal spécifié pourrait endommager le moteur.**

## PILOTAGE

### ▲ ATTENTION

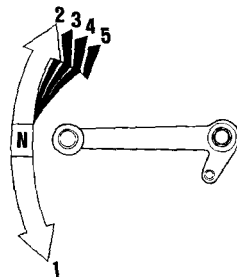
\* Avant de piloter, relire les indications données sous "La sécurité de pilotage" (pages 1 – 5).

#### NOTE:

\* Vérifier le fonctionnement du mécanisme de la béquille latérale. (Voir PROGRAMME D'ENTRETIEN à la page 45 et l'explication sur la BEQUILLE LATÉRALE à la page 66.)

1. Une fois que le moteur est chaud, la moto est prête pour le pilotage.
2. Avec le moteur au ralenti, serrer le levier d'embrayage et appuyer sur le sélecteur de vitesses pour passer en première.
3. Relâcher progressivement le levier d'embrayage tout en augmentant le régime moteur à l'aide de la poignée des gaz. Une bonne coordination des manoeuvres de la poignée des gaz et du levier d'embrayage assurera un démarrage efficace en douceur.
4. Lorsque la moto atteint une vitesse modérée, fermer la poignée des gaz, serrer le levier d'embrayage et passer en seconde en remontant la sélecteur de vitesses.  
Recommencer cette suite d'opérations pour

5. passer en troisième, quatrième et cinquième.
5. Coordonner le mouvement de la poignée des gaz et des freins pour assurer une décélération régulière.
6. Les freins avant et arrière doivent être utilisés simultanément et ne pas être actionnés au point de bloquer la roue, faute de quoi l'efficacité de freinage serait réduite et le contrôle de la moto difficile.



### **▲ ATTENTION**

- \* **Ne pas rétrograder lorsqu'on roule à une allure qui risque de mettre le moteur en surrégime sur le nouveau rapport. La roue arrière risquerait de perdre de sa traction, ce qui pourrait entraîner une perte de contrôle du véhicule.**

### **PRECAUTION**

- \* **Ne pas changer de vitesse sans avoir débrayé et fermé la poignée des gaz. Le moteur et la transmission pourraient être endommagés par un surrégime et un choc.**
- \* **Ne pas remorquer la moto ni la faire rouler en roue libre sur de longues distances avec le moteur arrêté. La boîte de vitesses ne serait pas correctement lubrifiée et pourrait être endommagée.**
- \* **Pour ne pas endommager la roue, s'arrêter pour monter sur les trottoirs et ne pas frotter la roue contre un obstacle.**

### **NOTE:**

- \* **La batterie ne se rechargera pas si le régime du moteur est proche du ralenti. Eviter de laisser le moteur tourner au ralenti pendant longtemps.**

## FREINAGE

1. Pour le freinage normal, actionner progressivement les freins avant et arrière tout en rétrogradant sur un rapport adapté à l'allure de la moto.
2. Pour une décélération maximale, fermer la poignée des gaz et actionner énergiquement les freins avant et arrière. Tirer le levier d'embrayage avant que la machine s'arrête complètement afin de prévenir que le moteur ne cale.

### ⚠ ATTENTION

- \* L'utilisation d'un seul frein réduit l'efficacité du freinage. Un freinage trop violent peut bloquer une roue et rendre difficile le contrôle du véhicule.
- \* Autant que possible, ralentir ou freiner avant d'aborder un virage. En coupant les gaz ou en freinant dans un virage, on risque de patiner et d'éprouver des difficultés à garder le contrôle du véhicule.

### ⚠ ATTENTION

- \* Sur des chaussées détrempées, sous la pluie ou sur des sols meubles, la maniabilité et l'efficacité de freinage sont réduites. Dans de telles conditions, les manoeuvres ne doivent pas être brusques. Des accélérations, des freinages ou des braquages brutaux peuvent faire perdre le contrôle du véhicule. Par sécurité, être extrêmement prudent en freinant, en accélérant ou en tournant.
- \* Dans les descentes longues et raides, utiliser le frein moteur en rétrogradant et actionner les deux freins par intermittence. Un freinage continu peut surchauffer les freins et réduire leur efficacité.
- \* Si l'on garde le pied sur la pédale de frein ou la main sur le levier de frein, ceci peut allumer le feu stop et induire en erreur les autres usagers. Ceci peut également se traduire par une surchauffe des freins et une perte de leur efficacité.

## STATIONNEMENT

1. Après avoir arrêté la moto, passer au point-mort, placer le robinet d'essence sur OFF, tourner le guidon à fond vers la gauche, placer le contacteur d'allumage sur OFF et retirer la clé de contact.
2. En stationnement, mettre la moto en appui sur sa béquille latérale ou centrale.

### PRECAUTION

- \* **Garer la moto sur un terrain ferme et horizontal pour qu'elle ne risque pas de se renverser.**
  - \* **Si l'on doit stationner sur une pente l'égère, diriger l'avant de la moto vers l'amont pour qu'elle ne risque pas de passer par dessus la béquille ou de se renverser.**
3. Verrouiller la direction pour empêcher le vol (page 30).

## CONSEILS POUR ÉVITER LE VOL

1. Toujours verrouiller la direction et ne jamais laisser la clé sur le contacteur d'allumage. Cette règle pourtant simple est souvent oubliée.
2. S'assurer que les renseignements sur l'immatriculation de la moto sont exacts et à jour.
3. Ranger autant que possible la moto dans un garage fermant à clé.
4. Utiliser un antivol supplémentaire de bonne qualité.
5. Inscire ses nom, adresse et numéro de téléphone dans ce manuel et garder toujours celui-ci sur la moto.  
Le propriétaire d'une moto volée est souvent identifié par les renseignements qui figurent sur le Manuel du Conducteur.

NOM : \_\_\_\_\_

ADRESSE : \_\_\_\_\_

\_\_\_\_\_

\_\_\_\_\_

N° DE TELEPHONE : \_\_\_\_\_



## ENTRETIEN

- Le programme d'entretien requis précise les intervalles entre chaque entretien, ainsi que les points de contrôle. Il est essentiel de se conformer à ce programme afin que votre motocyclette soit toujours au plus niveau de sécurité, fiabilité et contrôle des gaz d'échappement.
- Ces instructions présupposent que la moto n'est utilisée qu'aux fins auxquelles elle est destinée. Une utilisation continuelle à grande vitesse ou dans des endroits anormalement mouillés ou poussiéreux demandera un entretien plus fréquent que celui prévu dans le TABLEAU D'ENTRETIEN. Le concessionnaire Honda est à même de fournir des recommandations pour l'usage particulier qui doit être fait de cette moto.

## PROGRAMME D'ENTRETIEN

Le programme d'entretien suivant décrit toutes les procédures d'entretien requises pour maintenir votre motocyclette en état parfait. L'entretien sera effectué conformément aux normes et spécifications de Honda, par des mécaniciens expérimentés et avec le matériel adéquat. Votre concessionnaire Honda répond à toutes ces exigences.

A chaque révision, effectuer les "Contrôles avant l'utilisation (page 34)".

I : CONTROLER ET NETTOYER, REGLER, GRAISSER OU, REMPLACER, SI NECESSAIRE.

C : NETTOYER R : REMPLACER A : REGLER L : GRAISSER

POINT DE CONTROLE	FREQUENCE	PREMIER → CONCERNE ↓	INDICATION DU TOTALISATEUR KILOMETRIQUE (NOTE (1))								Voir page
			X 1.000 Km	1	6	12	18	24	30	36	
			X 1.000 mi	0,6	4	8	12	16	20	24	
		NOTE	MOIS	6	12	18	24	30	36		
* CANALISATION D'ESSENCE					I		I		I	—	
* ECRAN DE CREPINE A ESSENCE				C	C	C	C	C	C	—	
* FONCTIONNEMENT DE LA COMMANDE DES GAZ					I		I		I	57	
* STARTER						I		I		—	
FILTRE A AIR		NOTE (2)					R		R	59	
RENIFLARD DE CARTER MOTEUR		NOTE (3)		C	C	C	C	C	C	54	
BOUGIES D'ALLUMAGE					I	R	I	R	I	55	
HUILE MOTEUR			R	R	R	R	R	R	R	51	
FILTRE A HUILE MOTEUR			R		R		R		R	52	
* SYNCHRONISATION DES CARBURATEURS					I		I		I	—	
* REGIME DE RALENTI			I	I	I	I	I	I	I	58	
* SYSTEME D'ALIMENTATION EN AIR SECONDAIRE		NOTE (4)			I		I		I	—	

POINT DE CONTROLE	FREQUENCE	PREMIER → CONCERNE ↓	INDICATION DU TOTALISATEUR KILOMETRIQUE (NOTE (1))							Voir page	
			X 1.000 Km	1	6	12	18	24	30		36
			X 1.000 mi	0,6	4	8	12	16	20		24
NOTE	MOIS		6	12	18	24	30	36			
CHAINE SECONDAIRE			I, L Tous les 1.000 Km							60	
GLISSIERE DE CHAINE SECONDAIRE					I		I		I	65	
BATTERIE				I	I	I	I	I	I	76	
LIQUIDE DE FREIN	NOTE (5)			I	I	R	I	I	R	13	
USURE DES PLAQUETTES DE FREIN				I	I	I	I	I	I	74	
SYSTEME DE FREINAGE			I		I		I		I	13, 74	
* CONTACTEUR DE FEU-STOP					I		I		I	—	
* REGLAGE DU FAISCEAU DE PHARE					I		I		I	—	
SYSTEME DÉMBRAYAGE			I	I	I	I	I	I	I	17	
BEQUILLE LA TÉRALE					I				I	66	
* SUSPENSION					I		I		I	—	
* ECROUS, BOULONS, FIXATIONS			I		I		I		I	—	
** ROUES/PNEUS					I		I		I	—	
** ROULEMENTS DU TÉ DE DIRECTION			I		I		I		I	—	

- \* CET ENTRETIEN DOIT ÊTRE EFFECTUÉ PAR UN CONCESSIONNAIRE AGRÉÉ HONDA À MOINS QUE L'UTILISATEUR NE DISPOSE DES OUTILS APPROPRIÉS ET NE SOIT MÉCANIQUEMENT QUALIFIÉ. IL SE REPORTERA DANS CE CAS AU MANUEL D'ATELIER OFFICIEL HONDA.
- \* \* PAR MESURE DE SÉCURITÉ. IL EST RECOMMANDÉ DE NE CONFIER L'ENTRETIEN DE CES POINTS QU'À UN CONCESSIONNAIRE AGRÉÉ HONDA.

Honda recommande de demander à votre concessionnaire Honda de faire un essai sur route de la motocyclette après chaque entretien périodique.

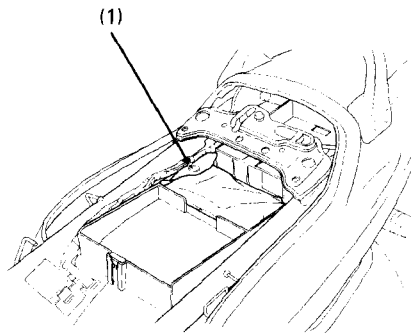
- NOTES: (1) Au-delà du kilométrage indiqué, effectuer l'entretien en respectant les intervalles indiqués ci-dessus.
- (2) Augmenter la fréquence d'entretien en cas d'utilisation dans des conditions anormalement humides ou poussiéreuses.
- (3) Augmenter la fréquence d'entretien en cas d'utilisation sous la pluie ou à pleins gaz.
- (4) Uniquement type Suisse et Autriche.
- (5) Remplacer tous les 2 ans, ou aux intervalles du compteur kilométrique indiqués, selon le cas se présentant le premier. Le remplacement nécessite des connaissances mécaniques.

## TROUSSE A OUTILS

Le trousse à outils (1) se trouve dans la boîte à outils située sous la selle.

Les outils qu'elle contient permettent de faire quelques réparations de première urgence, de petits réglages et des remplacements de pièces.

- Clé plate de 10 x 12 mm
- Clé plate de 14 x 17 mm
- Extracteur de fusible
- Tournevis cruciforme n°2
- Manche de tournevis
- Tournevis n° 2
- Clé polygonale 12 mm
- Clé polygonale 24 mm
- Clé à ergot
- Clé plate de 8 mm
- Clé à bougie
- Cale d'épaisseur
- Trousse à outils



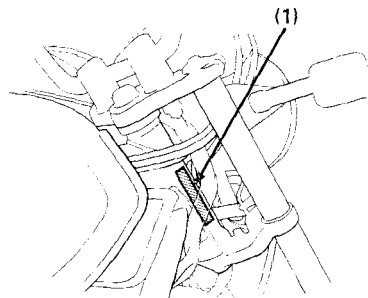
(1) Trousse à outils

## NUMEROS DE SERIE

Les numéros de série du cadre et du moteur sont nécessaires lors de l'immatriculation de la moto. Ils peuvent également être demandés par le concessionnaire lors d'une commande de pièces de rechange.

Les noter ci-dessous pour pouvoir les retrouver facilement.

N° DE CADRE \_\_\_\_\_



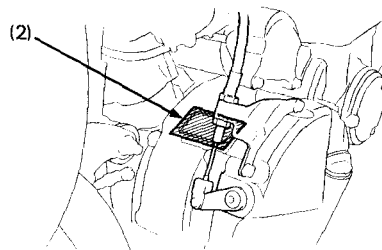
(1) Numéro du cadre

**48**

Le numéro de cadre (1) est estampé sur le côté droit de la colonne de direction.

Le numéro du moteur (2) est estampé sur le côté droit du carter moteur.

N° DE MOTEUR \_\_\_\_\_



(2) Numéro du moteur

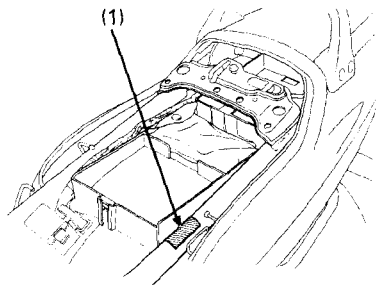
## ETIQUETTE DE COLORIS

L'étiquette de coloris (1) est fixée à la rampe du cadre gauche sous la selle.

Elle est utile lors de la commande de pièces de rechange. Noter le coloris et le code ci-dessous pour pouvoir les retrouver facilement.

COLORIS \_\_\_\_\_

CODE \_\_\_\_\_



(1) Etiquette de coloris

## PRECAUTIONS POUR L'ENTRETIEN

### **▲ ATTENTION**

- \* Si la moto a été renversée ou accidentée, vérifier si les leviers de commande, les câbles, les flexibles de frein, les étriers, les accessoires et les autres pièces essentielles n'ont pas été endommagés. Ne pas rouler si les dommages rendent l'utilisation hasardeuse. Faire vérifier par un concessionnaire Honda si les éléments principaux, et en particulier le cadre, la suspension et les pièces de la direction, ne présentent pas un désalignement ou un dommage que l'on n'a pas pu soi-même détecter.
- \* Pour l'entretien ou les réparations, utiliser des pièces d'origine Honda neuves ou leur équivalent. Des pièces de qualité inférieure peuvent affecter la sécurité de la moto.
- \* Avant toute intervention, arrêter le moteur et soutenir solidement la moto sur une surface ferme et horizontale.



## HUILE MOTEUR

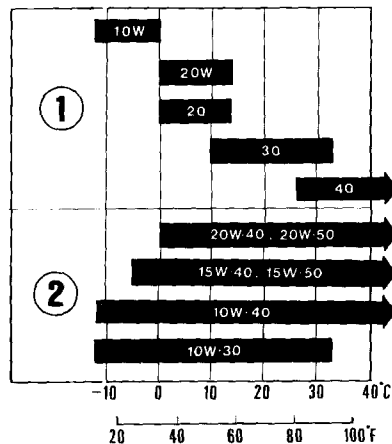
(Se reporter aux précautions d'entretien à la page 50.)

### Huile Moteur

Une bonne huile moteur est déterminante pour le fonctionnement et l'état du moteur. N'utiliser qu'une huile moteur hautement détergente de qualité supérieure, répondant aux prescriptions pour la classification service API SE, SF ou SG, ou les dépassant.

### Viscosité:

La viscosité de l'huile doit être basée sur la température atmosphérique moyenne du lieu d'utilisation. On trouvera ci-dessous un guide pour le choix du grade ou de la viscosité de l'huile à utiliser selon les différentes températures atmosphériques.



(1) Monograde

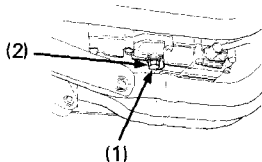
(2) Multigrade

### Huile moteur et filtre à huile

La qualité de l'huile moteur est un facteur essentiel à la prolongation de la durée de vie utile du moteur.

Renouveler l'huile moteur conformément aux spécifications du calendrier d'entretien (page 44). Le remplacement du filtre à huile demande l'utilisation d'une clé dynamométrique et d'un outil spécial pour filtre. Nous conseillons aux personnes qui n'ont pas les connaissances nécessaires ou qui ne disposent pas de ces outils de confier ce remplacement à un distributeur Honda agréé.

Si une clé dynamométrique n'a pas été utilisée pour effectuer ce remplacement, demander dès que possible à un distributeur Honda agréé de procéder à la vérification du montage.



(1) Bouchon de vidange d'huile

(2) Rondelle d'étanchéité

### NOTE:

- \* Renouveler l'huile moteur avec le moteur à la température normale de fonctionnement et avec la moto sur sa béquille latérale. Ceci permet une vidange plus rapide et plus complète.

### PRECAUTION

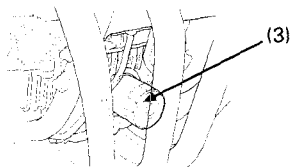
- \* Pour ne pas risquer de fuites d'huile et une détérioration du filtre, ne jamais faire soutenir le moteur par le filtre à huile.

1. Pour vidanger l'huile, retirer le bouchon de remplissage/jauge d'huile, le bouchon de vidange du carter moteur (1) et la rondelle d'étanchéité (2).

### ATTENTION

- \* Le moteur et l'huile à l'intérieur sont chauds: prendre garde de ne pas se brûler.

2. Déposer le filtre à huile (3) à l'aide d'une clé à filtre et laisser s'écouler l'huile résiduelle. Jeter le filtre à huile.
3. Passer une mince couche d'huile moteur sur le nouveau joint en caoutchouc du filtre à huile (4).  
10 N·m (1,0 kg·m)
4. Poser un filtre à huile neuf à l'aide de l'outil spécial et d'une clé dynamométrique et serrer au couple de:  
N'utiliser que le filtre à huile Honda d'origine ou un filtre de qualité équivalente spécifié pour le modèle.  
L'utilisation d'un filtre Honda incorrect ou d'un filtre d'une autre marque dont la qualité n'est pas équivalente peut entraîner des dommages du moteur.

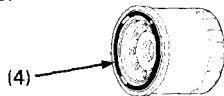


(3) Filtre à huile

5. S'assurer que la rondelle d'étanchéité du bouchon de vidange est en bon état et remettre le bouchon en place. Remplacer la rondelle d'étanchéité tous les deux renouvellements d'huile ou à chaque renouvellement si nécessaire.

Couple de serrage du bouchon de vidange:  
35 N·m (3,5 kg·m)

6. Remplir le carter moteur avec l'huile de la catégorie préconisée, d'environ:  
3,0 ℓ
7. Remettre le bouchon de remplissage d'huile en place.
8. Faire démarrer le moteur et le laisser tourner au ralenti pendant 2 à 3 minutes.
9. Après que le moteur a été arrêté pendant plusieurs minutes, vérifier que le niveau de l'huile atteint le repère supérieur de la jauge, la moto étant maintenue droite sur un sol horizontal et ferme. Vérifier qu'il n'y aucune fuite d'huile.



(4) Joint en caoutchouc de filter à huile

#### NOTE:

- \* En cas d'utilisation dans des endroits très poussiéreux, la fréquence de renouvellement de l'huile doit être supérieure à celle indiquée dans le tableau d'entretien.
- \* Se débarrasser de l'huile moteur usée sans dégrader l'environnement. Il est recommandé de la porter à la déchetterie ou au garage local dans un bidon fermé. Ne pas la jeter aux ordures, sur le sol ou à l'égout.

#### PRECAUTION

- \* L'huile usée du moteur peut provoquer le cancer de la peau si elle reste longtemps en contact avec la peau. Bien que le risque soit très limité si l'on ne manipule pas d'huile quotidiennement, il est toutefois recommandé de se laver les mains avec de l'eau et du savon dès que possible après un contact avec de l'huile usée.

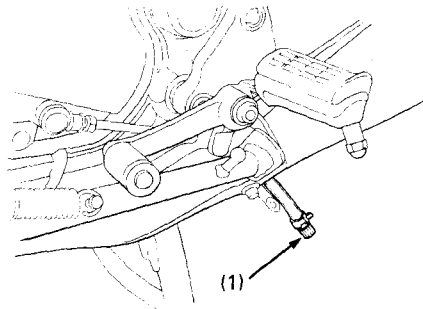
#### RENIFLARD DE CARTER MOTEUR

(Se reporter aux précautions d'entretien à la page 50.)

1. Retirer le capuchon du tuyau de reniflard de carter (1) et évacuer les dépôts dans un récipient approprié.
2. Remettre le capuchon du tuyau de reniflard de carter.

#### NOTE:

- \* Entretien plus fréquemment lors de la conduite sous la pluie ou à pleins gaz.



(1) Capuchon du tuyau de reniflard de carter

## BOUGIES D'ALLUMAGE

(Se reporter aux précautions d'entretien à la page 50.)

Bougies recommandées:

Standard:

DPR8EA-9 (NGK) ou

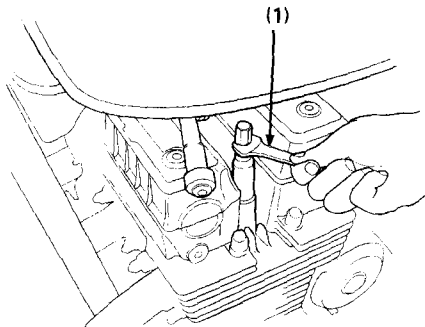
X24EPR-U9 (NIPPONDENSO)

Pour une conduite prolongée à grande vitesse:

DPR9EA-9 (NGK) ou

X27EPR-U9 (NIPPONDENSO)

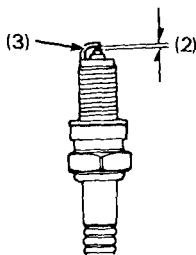
1. Débrancher les capuchons des bougies.
2. Décrasser la partie autour de la base des bougies. Déposer les bougies d'allumage à l'aide de la clé à bougie (1) fournie dans la trousse à outils.



(1) Clé à bougie

3. Vérifier si les électrodes et la porcelaine centrale ne sont pas encrassées, abîmées ou calaminées. Si la détérioration ou les dépôts de calamines sont importants, remplacer la bougie. Décalaminer ou dégrasser la bougie avec un nettoyeur de bougies ou une brosse métallique.
4. Vérifier l'écartement de la bougie d'allumage (2) en utilisant un calibre déaisseur type fil. Si un réglage est nécessaire, plier avec soin l'électrode latérale (3).

L'écartement des électrodes doit être de:  
0,8—0,9 mm



- (2) Ecartement des électrodes de la bougie  
(3) Electrode latérale

5. Avec la rondelle de bougie en place, visser la bougie à la main pour ne pas risquer d'endommager son filetage.
6. Serrer la bougie d'allumage d'un demi-tour avec une clé à bougie pour comprimer la rondelle.
7. Reposer les capuchons des bougies d'allumage.

### PRECAUTION

- \* La bougie d'allumage doit être correctement serrée. Une bougie d'allumage mal serrée peut devenir très chaude et endommager le moteur.
- \* Ne pas utiliser une bougie d'allumage de degré thermique incorrect. Le moteur pourrait être sérieusement endommagé.

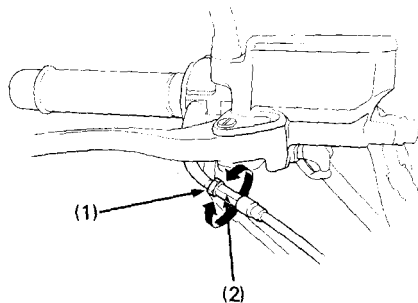
## FONCTIONNEMENT DE LA COMMANDE DES GAZ

(Se reporter aux précautions d'entretien à la page 50.)

1. S'assurer que la poignée des gaz s'ouvre en douceur au maximum et se ferme automatiquement à fond dans toutes les positions du guidon.
2. Mesurer la garde à la poignée des gaz sur le rebord.

La garde standard est d'environ:  
2,0—6,0 mm

Pour régler la garde, desserrer le contre-écrou (1) et tourner le tendeur (2).



(1) Contre-écrou

(2) Tendeur

## REGIME DE RALENTI

(Se reporter aux précautions d'entretien à la page 50.)

Pour un réglage du régime de ralenti précis, le moteur doit être à la température normale de fonctionnement. Dix minutes de conduite avec des arrêts et marches répétés suffisent.

### NOTE:

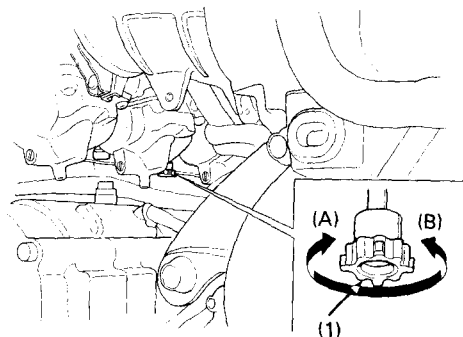
\* Ne pas essayer de compenser des défauts dans d'autres systèmes en ajustant le régime de ralenti. Consulter un concessionnaire de Honda pour les réglages périodiques du carburateur, y compris les ajustements et la synchronisation de carburateur individuel.

1. Faire chauffer le moteur, passer au point-mort et placer la moto sur sa béquille centrale.
2. Régler le régime de ralenti avec la vis butée de ralenti (1).

Régime de ralenti (au point mort) :

$1.200 \pm 100 \text{ min}^{-1} (\text{tr/mn})$

$1.200 \pm 50 \text{ min}^{-1} (\text{tr/mn})$  < Type SW >



(1) Vis de butée des gaz

(A) Augmenter

(B) Réduire

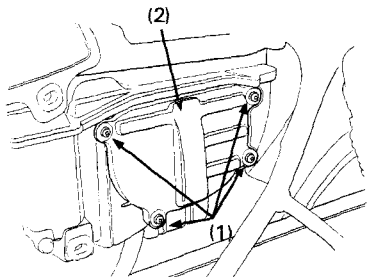


## FILTRE A AIR

(Se reporter aux précautions d'entretien à la page 50.)

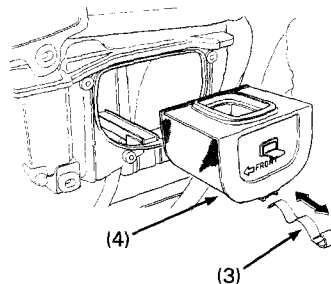
Le filtre à air doit être nettoyé à intervalles réguliers (page 44). En cas d'utilisation dans des endroits anormalement humides ou poussiéreux, augmenter la fréquence de nettoyage.

1. Déposer le cache latéral gauche.
2. Déposer les vis de fixation (1) et le couvercle (2) de filtre à air.



(1) Vis de fixation (2) Couvercle de filtre à air

3. Tirer le ressort de fixation (3) vers l'extérieur.
4. Déposer et jeter de filtre à air (4).
5. Mettre un nouvel de filtre à air en place.  
Utiliser le filtre à air Honda d'origine ou un filtre à air équivalent spécifié pour le modèle. L'utilisation d'un filtre à air incorrect ou d'un filtre à air d'une autre marque dont la qualité n'est pas équivalente peut entraîner une usure prématurée du moteur ou des problèmes de performances.
6. Reposer les pièces déposées en inversant l'ordre de la dépose.



(3) Ressort de fixation (4) Filtre à air

## CHAÎNE SECONDAIRE

(Se reporter aux précautions d'entretien à la page 50.)

La durée de service de la chaîne secondaire dépend de son graissage et de son réglage. Un mauvais entretien peut accélérer l'usure ou endommager non seulement la chaîne secondaire mais aussi les pignons.

La chaîne secondaire doit être vérifiée et lubrifiée pendant l'inspection préliminaire (page 34). En cas d'utilisation sévère ou si la moto est utilisée dans des endroits inhabituellement poussiéreux ou boueux, un entretien plus fréquent est nécessaire.

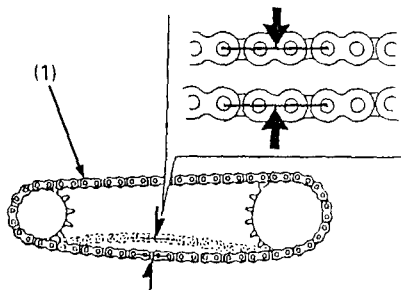
### Contrôle:

1. Arrêter le moteur, placer la moto sur sa béquille latérale et passer au point-mort.
2. Contrôler la flèche de la chaîne sur son brin inférieur à mi-chemin entre le pignon de sortie de boîte et la couronne.

La flèche de la chaîne doit être réglée de sorte que le mouvement vertical de la chaîne effectué à la main se situe entre les valeurs suivantes:

30—40 mm

3. Faire tourner la roue arrière et vérifier la flèche de la chaîne secondaire lorsque la roue tourne. La flèche de la chaîne secondaire doit toujours rester constante lorsque la roue tourne. Si certaines parties de la chaîne sont plus tendues que d'autres, c'est que certains maillons sont coincés ou grippés. Un grippage peut fréquemment être éliminé par un graissage.



(1) Chaîne secondaire

4. Faire tourner lentement la roue arrière et vérifier si la chaîne, le pignon de sortie de boîte et la couronne ne présentent pas les anomalies suivantes:

#### CHAÎNE SECONDAIRE

- \*Rouleaux endommagés
- \*Axes desserrés
- \*Maillons secs ou rouillés
- \*Maillons coincés ou grippés
- \*Usure excessive
- \*Mauvais réglage
- \*Joints toriques manquants

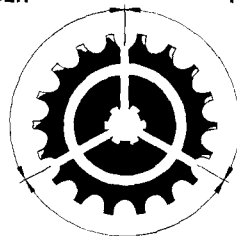
#### PIGNON ET COURONNE

- \*Dents excessivement usées
- \*Dents cassées ou endommagées

Une chaîne secondaire dont les rouleaux sont endommagés, les axes desserrés ou les joints toriques manquants doit être remplacée. Un chaîne sèche ou présentant des signes de rouille doit être graissée. Les maillons coincés ou grippés doivent être entièrement lubrifiés et décoincés. Si les maillons ne peuvent être décoincés, la chaîne doit être remplacée.

Dents de couronne  
**REMPACER**

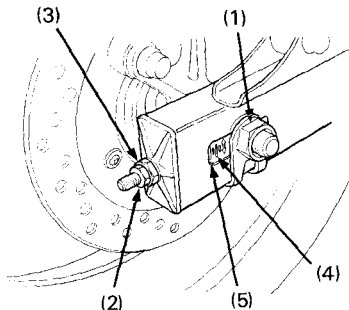
Dents de couronne usées  
**REMPACER**



Dents de couronne normales  
**BON**

### Réglage:

La flèche de la chaîne secondaire doit être contrôlée et, si nécessaire, réglée tous les 1.000 km. En cas d'utilisation prolongée à grande vitesse ou avec de fréquentes accélérations rapides, un réglage plus fréquent peut être nécessaire.



- (1) Ecrou d'axe
- (2) Contre-écrou
- (3) Ecrou de réglage
- (4) Marque d'index
- (5) Bord arrière de la fente de réglage

Pour régler la chaîne secondaire, procéder comme suit:

1. Placer la moto sur sa béquille centrale avec la boîte de vitesses au point mort et le contacteur d'allumage sur OFF.
2. Desserrer l'écrou d'axe de roue (1).
3. Desserrer les contre-écrous (2) situés sur les deux bras oscillants droit et gauche.
4. Tourner les deux écrous de réglage (3) d'un nombre égal de tours jusqu'à ce que la flèche de la chaîne soit correcte. Tourner les écrous de réglage dans le sens des aiguilles d'une montre pour tendre la chaîne ou dans le sens inverse des aiguilles d'une montre pour donner du mou. Vérifier la flèche à mi-chemin entre le pignon d'engrenage et la couronne de roue arrière. Tourner la roue arrière et vérifier à nouveau la flèche sur d'autres parties de la chaîne.

La flèche de la chaîne doit être de:  
30—40 mm

5. Vérifier l'alignement de l'axe de roue arrière en s'assurant que les repères (4) du tendeur de chaîne sont en regard du bord arrière (5) des fentes de réglage.

Les repères gauche et droit doivent correspondre. Si l'axe de roue est mal aligné, agir sur l'écrou de réglage droit ou gauche pour que les repères coïncident avec le bord arrière des fentes de réglage, puis vérifier à nouveau la flèche de la chaîne.

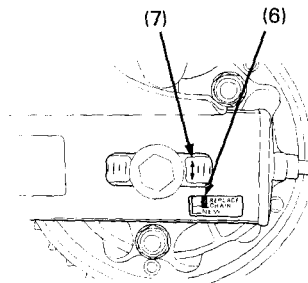
6. Serrer l'écrou d'axe au couple de serrage spécifié.

Couple de serrage d'écrou d'axe:  
90 N·m (9,0 kg·m)

7. Serrer légèrement les écrous de réglage, puis serrer les contre-écrous en immobilisant les écrous de réglage avec une clé.

#### Contrôle de l'usure:

Lors du réglage de la chaîne, contrôler l'étiquette d'usure de la chaîne. Si la zone rouge (6) de l'étiquette vient en regard de la flèche (7) des plaques du tendeur de chaîne après que la flèche de la chaîne a été réglée à la valeur prescrite, l'usure est excessive et la chaîne doit être remplacée. La flèche de la chaîne doit être de:  
30—40 mm



(6) Zone rouge

(7) Regard de flèche

### Graissage et nettoyage:

Graisser la chaîne tous les 1.000 km ou plus tôt si elle semble sèche.

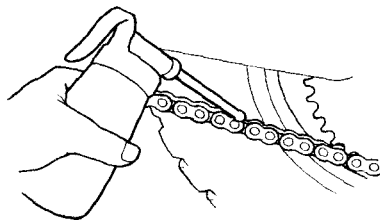
Les joints toriques de cette chaîne peuvent être endommagés par le nettoyage à la vapeur, les dispositifs de lavage à haute pression et certains solvants. Nettoyer la chaîne avec un solvant à point d'éclair élevé tel que le kérosène. L'essuyer et ne la lubrifier qu'avec de l'huile engrenages SAE 80 ou 90. Les lubrifiants pour chaînes disponibles dans le commerce risquent d'endommager les joints toriques en caoutchouc.

Chaîne de rechange:

RK525SM4 ou DID525V8

### **PRECAUTION**

**\* La chaîne secondaire de cette moto comporte de petits joints toriques entre les plaques des maillons. Ces joints toriques retiennent la graisse à l'intérieur de la chaîne afin de la rendre plus durable. Des précautions spéciales doivent être prises lors du réglage, du graissage, du lavage et du remplacement de la chaîne.**

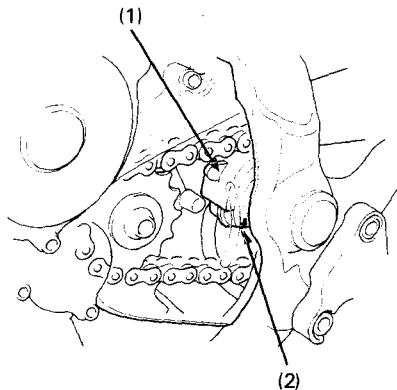


## GLISSIÈRE DE CHAÎNE SECONDAIRE

(Se reporter aux précautions d'entretien à la page 50.)

Vérifier le degré d'usure de la glissière de chaîne (1).

Le curseur de chaîne doit être remplacé s'il est usé jusqu'au trait de limite d'usure (2). Pour le remplacement, voir son revendeur Honda agréé.



- (1) Glissière de chaîne
- (2) Trait de limite d'usure

## BEQUILLE LATÉRALE

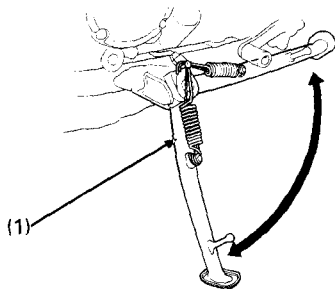
(Se reporter aux précautions d'entretien à la page 50.)

Effectuer l'entretien suivant conformément au programme d'entretien.

### Contrôle de fonctionnement:

- Vérifier si le ressort (1) de la béquille latérale n'est pas endommagé et s'il n'a pas perdu de sa tension. S'assurer de la liberté de mouvement de l'ensemble de la béquille latérale.
- Vérifier le système de coupure d'allumage par béquille latérale:
  1. S'asseoir à califourchon sur la moto, relever la béquille latérale et passer au point-mort.
  2. Mettre le moteur en marche et, avec le levier d'embrayage serré, engager un rapport.
  3. Abaisser la béquille latérale. Le moteur doit s'arrêter lorsqu'on abaisse la béquille latérale.

Si le système de la béquille latérale ne fonctionne pas comme indiqué, le faire réparer par son concessionnaire Honda.

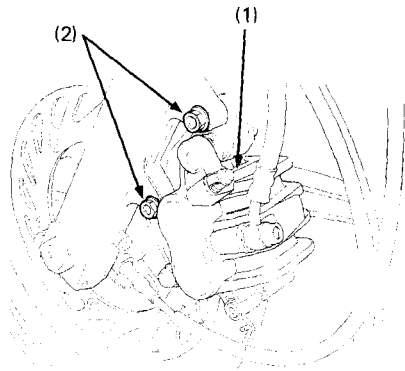


(1) Ressort de béquille latérale



## DEPOSE DES ROUES

(Se reporter aux précautions d'entretien à la page 50.)



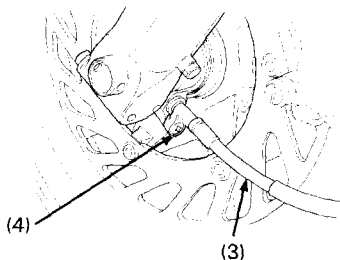
- (1) Ensemble d'étrier
- (2) Boulons de fixation

## Dépose de la roue avant

1. Décoller la roue avant du sol en plaçant un support sous le moteur.
2. Déposer l'ensemble d'étrier gauche (1) de la jambe de fourche en retirant les boulons de fixation (2).

### PRECAUTION

\* Pour éviter d'endommager le flexible de frein, soutenir l'étrier de frein de sorte qu'il ne pende pas au bout du flexible. Ne pas tortiller le flexible de frein.

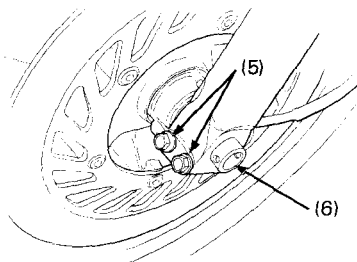


- (3) Câble de compteur de vitesse
- (4) Vis de fixation de câble

3. Dés accoupler le câble de compteur de vitesse (3) de la prise du compteur de vitesse en retirant la vis de fixation du câble (4).

**NOTE:**

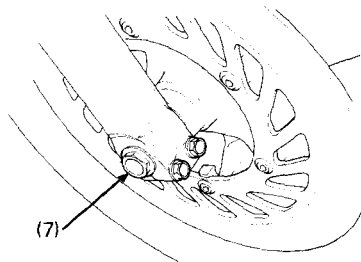
\* Ne pas appuyer sur la pédale de frein lorsque la roue à été déposée de la moto. Le piston d'étrier serait chassé du cylindre et le liquide de frein s'échapperait. Dans un tel cas, le circuit de freinage dot être révisé. Confier cette opération à un concessionnaire Honda agréé.



- (5) Vis de bridage d'axe de roue  
(6) Axe avant

**68**

4. Desserrer les vis de bridage droit et gauche d'axe de roue (5), et déposer le boulon d'axe de roue (7).  
5. Retirer l'axe de roue avant (6) et déposer la roue avant.



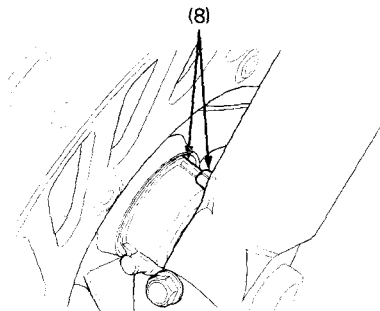
- (7) Boulon d'axe

Notes pour la repose:

Placer la roue avant entre les fourreaux de fourche et introduire l'axe de roue par le côté gauche à travers le fourreau de fourche gauche et le moyeu de roue.

### **PRECAUTION**

\* Lors de l'installation de la roue, placer soigneusement le disque de frein gauche entre les plaquettes de frein pour éviter d'endommager les plaquettes.



(8) Ergot

Placer l'ergot de la prise du compteur de vitesse contre l'ergot (8) du fourreau de fourche droite. Serrer le boulon d'axe de roue au couple spécifié.

Couple de serrage de l'axe de roue avant:

60 N·m (6,0 kg·m)

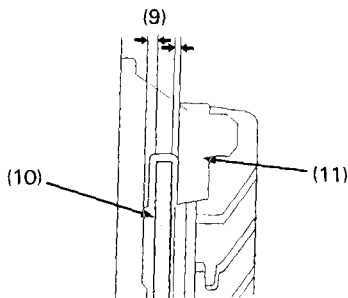
Placer l'étrier sur le disque, en faisant attention à ne pas endommager les plaquettes de frein. Reposer les boulons de fixation de l'étrier et les serrer à un couple de :

31 N·m (3,1 kg·m)

Mesurer le jeu (9) entre chaque surface du disque de frein gauche (10) et le support de l'étrier gauche (11) avec un calibre d'épaisseur de 0,7 mm (12) (voir croquis).

Placer l'étrier sur le disque, en faisant attention à ne pas endommager les plaquettes de frein. Reposer les boulons de fixation de l'étrier et les serrer à un couple de :

22 N·m (2,2 kg·m)

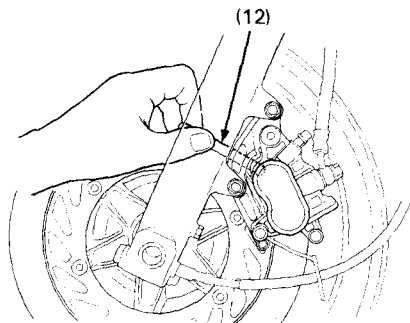


(9) Jeu  
(10) Disque de frein

(11) Support d'étrier

### ▲ATTENTION

\* Si une clé dynamométrique n'a pas été utilisée pour le serrage, faire vérifier aussitôt que possible le montage par un concessionnaire Honda. Un montage incorrect peut se traduire par une perte de l'efficacité de freinage.



(12) Calibre d'épaisseur

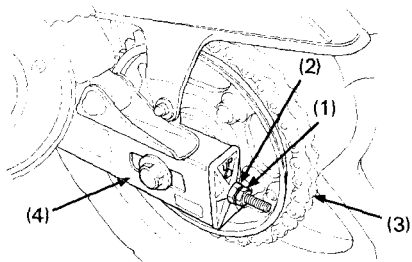
Si le calibre d'épaisseur ne peut être facilement inséré, tirer la patte gauche vers l'extérieur ou la pousser vers l'intérieur jusqu'à ce que le calibre puisse être inséré et serrer les boulons de bridage d'axe avec le calibre inséré. Après le serrage, retirer le calibre. Après la repose de la roue, appliquer les freins à plusieurs reprises, puis vérifier le jeu entre le support d'étrier et le disque au niveau des deux disques. Ne pas utiliser la motocyclette sans un jeu adéquat.

#### **▲ ATTENTION**

- \* Si le jeu entre le disque et le support d'étrier n'est pas correct, les disques de frein risquent d'être endommagés et l'efficacité de freinage affectée.

### Dépose de la roue arrière

1. Placer la moto sur sa béquille centrale.
2. Desserrer les contre-écrous (1) des écrous de réglage de chaîne secondaire et les écrous de réglage (2).
3. Déposer l'écrou d'axe de roue arrière.
4. Déposer la chaîne secondaire (3) de la couronne arrière en poussant la roue arrière vers l'avant.



- |                       |                       |
|-----------------------|-----------------------|
| (1) Contre-écrous     | (3) Chaîne secondaire |
| (2) Ecrous de réglage | (4) Axe d'axe         |

5. Déposer l'axe de roue arrière (4), l'entretoise latérale et la roue arrière du bras oscillant.

### NOTE:

\* Ne pas appuyer sur la pédale de frein lorsque la roue a été déposée de la moto. Les pistons d'étrier seraient chassés hors du cylindre et le liquide de frein s'échapperait. Dans un tel cas, le circuit de freinage doit être révisé. Confier cette opération à un concessionnaire Honda agréé.

#### Notes pour la repose:

Pour reposer la roue arrière, inverser l'ordre de la dépose. Serrer l'écrou d'axe de roue au couple spécifié.

Couple de serrage de l'écrou d'axe de roue:

90 N·m (9,0 kg-m)

#### **PRECAUTION**

**\* Lors de la repose de la roue, placer soigneusement le disque de frein entre les plaquettes pour éviter d'endommager les plaquettes.**

Après avoir reposé la roue, serrer le frein à plusieurs reprises et s'assurer que la roue tourne librement lorsqu'on le relâche. Vérifier de nouveau la roue si le frein frotte ou si la roue ne tourne pas librement.

#### **▲ATTENTION**

**\* Si une clé dynamométrique n'a pas été utilisée pour le serrage, faire vérifier aussitôt que possible le montage par un concessionnaire Honda. Un montage incorrect peut se traduire par une perte de l'efficacité de freinage.**

## USURE DES PLAQUETTES DE FREIN

(Se reporter aux précautions d'entretien à la page 50.)

L'usure de plaquette de frein dépend de la sévérité de l'usage, du type de conduite et des conditions de la route. (En général, les plaquettes s'useront plus vite sur des routes mouillées et sales.)

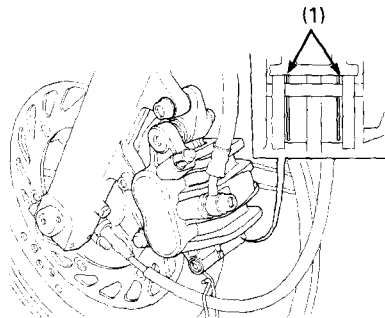
Vérifier les plaquettes à chaque intervalle d'entretien régulier (page 45).

### Frein avant

Vérifier la marque d'indicateur d'usure (1) sur chaque plaquette.

Si l'une des plaquettes est usée jusqu'à la marque d'indicateur d'usure, remplacer les deux plaquettes ensemble. Consulter votre concessionnaire Honda pour ce service.

## <FREIN AVANT>



(1) Marque d'indicateur d'usure

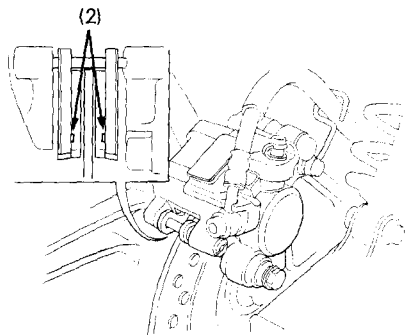


### Frein arrière

Vérifier la découpe (2) dans chaque plaquette.

Si l'une des plaquettes est usée jusqu'à la découpe, remplacer les deux plaquettes ensemble. Consulter votre concessionnaire Honda pour ce service.

### 〈FREIN ARRIERE〉



(2) Découpe

## BATTERIE

(Se reporter aux précautions d'entretien à la page 50.)

Si la moto est utilisée avec une quantité insuffisante d'électrolyte dans la batterie, il se produira un sulfatage et une détérioration des plaques de la batterie.

En cas de pertes rapides d'électrolyte ou si la batterie semble faible et entraîne des difficultés au démarrage ou d'autres problèmes électriques, s'adresser à un concessionnaire agréé Honda.

### ▲ATTENTION

- \* **La batterie dégage des gaz explosifs. Ne pas autoriser d'étincelles, flammes ou cigarettes à proximité. Lors de la recharge ou de l'utilisation de la batterie dans un endroit clos, s'assurer que l'aération est suffisante.**

### ▲ATTENTION

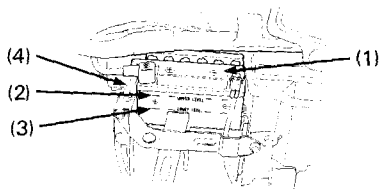
- \* **La batterie contient de l'acide sulfurique (électrolyte). Un contact avec la peau ou les yeux peut provoquer de graves brûlures. Porter des vêtements protecteurs et un masque.**
  - En cas de contact de l'électrolyte avec la peau, rincer à l'eau.
  - En cas de contact avec les yeux, rincer à l'eau pendant au moins 15 minutes et appeler un médecin.
- \* **L'électrolyte est un poison.**
  - En cas d'absorption, boire de grandes quantités d'eau ou de lait. Absorber ensuite du lait de magnésie ou de l'huile végétale et appeler un médecin.
- \* **TENIR HORS DE PORTEE DES ENFANTS.**

### Electrolyte de batterie:

La batterie (1) se trouve derrière le cache latéral droit. Déposer le cache latéral droit (page33).

Contrôler le niveau d'électrolyte avec la moto à la verticale sur un sol horizontal. L'électrolyte doit être maintenu entre les repères de niveau maximum (UPPER) (2) et minimum (LOWER) (3) situés sur le flanc de la batterie.

Si le niveau de l'électrolyte est bas, retirer les capuchons de remplacement de la batterie et ajouter de l'eau distillée jusqu'à la marque de niveau UPPER en utilisant un petit entonnoir en plastique.



- (1) Batterie
- (2) Niveau maximum
- (3) Niveau minimum
- (4) Reniflard de batterie

### **PRECAUTION**

- \* Lors de la vérification du niveau du liquide de la batterie ou de l'addition d'eau distillée, s'assurer que le tuyau de prise d'air est connecté à la sortie de prise d'air de la batterie.
- \* N'utiliser que de l'eau distillée pour la batterie. L'eau du robinet en raccourcirait la durée de service.
- \* Si l'on remplit la batterie au-dessus du repère de niveau maximum (UPPER), l'électrolyte risque de déborder et corroder le moteur et les pièces du cadre. Essuyer immédiatement toute électrolyte renversée.
- \* Le tuyau reniflard de la batterie doit passer comme le représente l'étiquette. Ne pas plier ou tortiller le tuyau reniflard. Un tuyau reniflard plié ou tortillé peut mettre la batterie sous pression et endommager sa cuve.

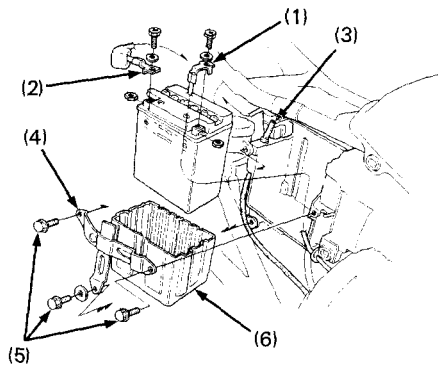
## PRECAUTION

\* Si la moto doit rester longtemps inutilisée, déposer la batterie de la moto et la charger entièrement.

La ranger ensuite dans un endroit frais et sec. Si la batterie doit rester sur la moto, débrancher le câble négatif à la borne de la batterie.

### Dépose de la batterie:

1. Déposer le cache latéral droit (page 33).
2. Déconnecter en premier la borne (1) négative (-) de la batterie, puis la borne (2) positive (+).
3. Déconnecter le reniflard (3) de batterie.
4. Déposer le porte-batterie (4) en enlevant les trois boulons (5).
5. Sortir le boîtier de batterie (6) et déposer la batterie.



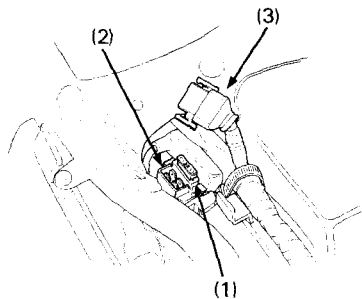
- (1) Fil de borne négative (-)
- (2) Fil de borne positive (+)
- (3) Reniflard de batterie
- (4) Porte-batterie
- (5) Boulons
- (6) Boîtier

## REPLACEMENT DES FUSIBLES

(Se reporter aux précautions d'entretien à la page 50.)

Le fusible principal (1), se trouvant sur le contacteur magnétique de démarreur (2) situé en dessous de la selle, est de 30 A.

Le fusible principal de rechange (6) est situé près de la boîte à fusibles. La boîte à fusibles (4) est également située en dessous de la selle.



- (1) Fusible principal
- (2) Contacteur magnétique du démarreur
- (3) Coupleur de fil

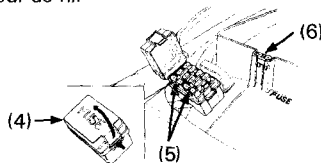
Si les fusibles sautent fréquemment, c'est généralement le signe d'un court-circuit ou d'une surcharge dans le circuit électrique. Confier dans ce cas la réparation à un concessionnaire Honda.

### PRECAUTION

**\* Avant de contrôler ou de remplacer les fusibles, placer le contacteur d'allumage sur OFF pour empêcher un court-circuit accidentel.**

Pour remplacer le fusible principal (1), déposer le cache latéral droit (page 33), déconnecter le coupleur de fil (3) et retirer l'ancien fusible.

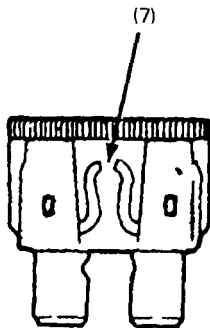
Mettre un fusible neuf en place et reconnecter le coupleur de fil.



- (4) Boîte à fusibles
- (5) Fusibles de rechange
- (6) Fusible principal de rechange

Pour remplacer les fusibles dans la boîte à fusibles (4), déposer le couvercle de la boîte à fusibles. Les fusibles de rechange (5) se trouvent dans la boîte à fusibles.

Extraire l'ancien fusible hors des agrafes. Enfoncer un fusible neuf dans les agrafes et reposer le couvercle de la boîte à fusibles.



(7) Fusible sauté

### **ATTENTION**

\* Ne jamais utiliser un fusible de calibre différent de celui qui est prescrit. Ceci pourrait endommager sérieusement le circuit électrique ou provoquer un incendie, avec une perte dangereuse des feux ou de la puissance du moteur.

## REPLACEMENT DE L'AMPOULE

(Se reporter aux précautions d'entretien à la page 50.)

L'ampoule de phare/feu de position

### ⚠ ATTENTION

- \* L'ampoule du feu devient très chaude alors que le feu est allumé et reste chaude pendant un certain moment après être éteinte. Toujours la laisser se refroidir avant d'effectuer un entretien.

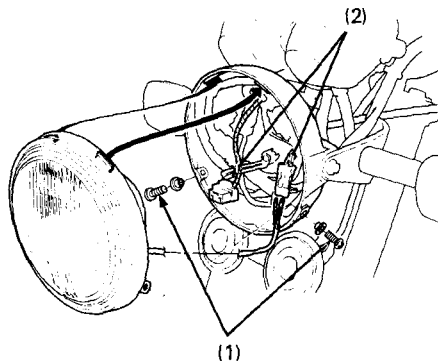
### PRECAUTION

- \* Porter des gants propres pendant le remplacement de l'ampoule.
- \* Ne pas laisser d'empreintes digitales sur l'ampoule de phare, car elles peuvent créer des points chauds sur l'ampoule et la faire éclater.
- \* Si vous touchez l'ampoule avec les mains nues, la nettoyer avec un chiffon imbibé d'alcool pour éviter une défaillance précoce.

### NOTE:

- \* Toujours couper le contact lors du remplacement de l'ampoule.

1. Déposer les vis (1) de boîtier de phare.
2. Tirer doucement le phare vers l'avant et déconnecter les connecteurs (2).

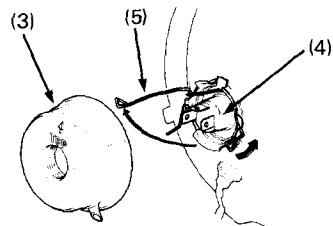


- (1) Vis  
(2) Connecteurs

3. Déposer le cache poussière (3).
4. Déposer l'ampoule (4) tout en enfonçant la goupille (5).
5. Mettre une ampoule neuve en place dans l'ordre inverse de la dépose.

**NOTE:**

- \* Ne pas utiliser d'ampoules autres que celles spécifiées.
- \* Après la mise en place d'une ampoule neuve, vérifier que le feu fonctionne correctement.



(3) Cache poussière  
(4) Ampoule

(5) Goupille



L'ampoule de feu stop/arrière

### **A**TTENTION

- \* L'ampoule du feu devient très chaude alors que le feu est allumé et reste chaude pendant un certain moment après être éteinte. Toujours la laisser se refroidir avant d'effectuer un entretien.

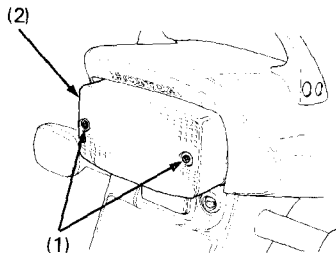
### **P**RECAUTION

- \* Porter des gants propres pendant le remplacement de l'ampoule.
- \* Si vous touchez l'ampoule avec les mains nues, la nettoyer avec un chiffon imbibé d'alcool pour éviter une défaillance précoce.

### **N**OTE:

- \* Toujours couper le contact lors du remplacement de l'ampoule.

1. Déposer les deux vis (1).
2. Déposer l'optique de phare (2).

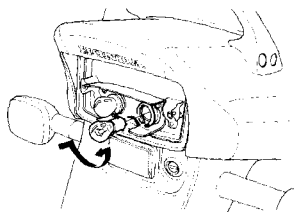


- (1) Vis
- (2) Optique de phare

3. Appuyer légèrement sur l'ampoule et la tourner dans le sens inverse des aiguilles d'une montre.
4. Mettre une ampoule neuve en place dans l'ordre inverse de la dépose.

**NOTE:**

- \* Ne pas utiliser d'ampoules autres que celles spécifiées.
- \* Après la mise en place d'une ampoule neuve, vérifier que le feu fonctionne correctement.



## L'ampoule de clignotant avant/arrière

### ⚠ ATTENTION

- \* L'ampoule du feu devient très chaude alors que le feu est allumé et reste chaude pendant un certain moment après être éteinte. Toujours la laisser se refroidir avant d'effectuer un entretien.

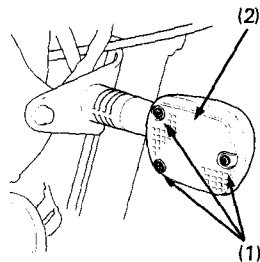
### PRECAUTION

- \* Porter des gants propres pendant le remplacement de l'ampoule.

### NOTE:

- \* Toujours couper le contact lors du remplacement de l'ampoule.

1. Déposer les trois vis (1).
2. Déposer l'optique de clignotant (2).



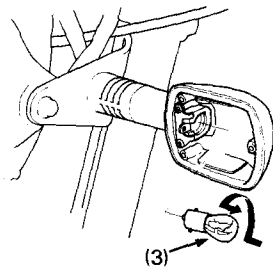
(1) Vis

(2) Optique de clignotant

3. Déposer l'ampoule (3) en enfonçant et en tournant dans le sens inverse des aiguilles d'une montre.
4. Mettre une ampoule neuve en place et vérifier que le feu fonctionne correctement.

**NOTE:**

- \* Ne pas utiliser d'ampoules autres que celles spécifiées.
- \* Après la mise en place d'une ampoule neuve, vérifier que le feu fonctionne correctement.



(3) Ampoule

## NETTOYAGE

Nettoyer régulièrement la moto pour en protéger le fini de surface. Vérifier également si elle n'est pas endommagée ou usée et si elle ne présente pas de fuites d'huile, ou de liquide de frein.

### PRECAUTION

**\* De l'eau (ou de l'air) sous haute pression peut endommager certaines pièces de la moto.**

Eviter de vaporiser de l'eau sous haute pression (cas type: dispositif de lavage automatique des voitures) sur les parties suivantes:

Chaîne secondaire	Carburateurs
Instruments de bord	Moyeux de roue
Sorties de silencieux	Dessous de selle
Contacteur d'allumage	
Commandes du guidon	
Maître-cylindre de frein	
Dessous de réservoir d'essence	

1. Après le nettoyage, rincer entièrement la moto avec une grande quantité d'eau propre. Des restes de détergent puissant risquent de corroder les pièces en alliage.

### NOTE:

\* Nettoyer les pièces en plastique à l'aide d'un chiffon ou d'une éponge trempée dans une solution de détergent neutre et d'eau. Frotter doucement la zone salie en la rinçant fréquemment avec de l'eau fraîche.

2. Sécher la moto, mettre le moteur en marche et le faire tourner pendant quelques minutes.
3. Graisser la chaîne secondaire immédiatement après avoir lavé et séché la moto.
4. Avant de piloter, tester les freins. Il pourra être nécessaire d'actionner plusieurs fois les freins pour qu'ils retrouvent leur efficacité normale.

### ATTENTION

\* **Juste après le lavage de la moto, le freinage peut perdre temporairement de son efficacité. Pour ne pas risquer un accident, prévoir de plus grandes distances pour le freinage.**

### **Entretien des roues en aluminium**

L'aluminium se corrode au contact de la poussière, de la boue, du sel répandu sur la route etc... Après la conduite, nettoyer les roues avec une éponge humide et un détergent doux, puis bien les rincer à l'eau et les essuyer avec un chiffon propre.

#### **PRECAUTION**

- \* **Ne pas utiliser de la laine d'acier ou un produit de nettoyage contenant des substances abrasives pour nettoyer les roues : ceci pourrait les endommager.**
- \* **Pour ne pas endommager la roue, s'arrêter pour monter sur les trottoirs et ne pas frotter la roue contre un obstacle.**

## GUIDE DE REMISAGE

Avant un remisage prolongé, pour l'hiver par exemple, il est nécessaire de prendre certaines précautions pour éviter que la moto ne se détériore par suite à son inutilisation. Si des réparations sont nécessaires, elles doivent être effectuées AVANT le remisage de la moto: elles risqueraient autrement d'être oubliées lors de la remise en service.

### REMISAGE

1. Renouveler l'huile moteur et remplacer le filtre à huile.
2. Vidanger le réservoir d'essence et les carburateurs dans un récipient à essence approuvé. Vaporiser l'intérieur du réservoir avec une huile antirouille en aérosol.  
Reposer le bouchon de remplissage d'essence sur le réservoir.

### NOTE:

- \* La vidange du carburateur est très importante si le remisage doit durer plus d'un mois; elle assure des performances normales lors de la remise en service.

### ▲ ATTENTION

- \* **L'essence est une substance extrêmement inflammable qui peut exploser dans certaines conditions. Effectuer cette opération dans un endroit bien aéré et avec le moteur arrêté. Ne pas fumer et n'approcher ni flammes, ni étincelles près de l'endroit de stockage de l'essence ou près du moteur au moment de la vidange ou au moment de faire le plein.**

3. Retirer les bougies d'allumage et verser une cuillerée (15–20 cm<sup>3</sup>) d'huile moteur propre dans chaque cylindre. Lancer le moteur à plusieurs reprises pour permettre une bonne répartition de l'huile, puis reposer les bougies d'allumage.

### NOTE:

- \* Lors du renversement du moteur, couper le contact, sélectionner la deuxième ou la troisième (ou plus haut), et pousser la moto vers l'avant pour faire tourner la roue arrière.

4. Déposer la batterie. La ranger dans un endroit à l'abri du gel et des rayons directs du soleil. Charger lentement la batterie une fois par mois.
5. Laver la moto et la sécher. Cirer toutes les surfaces peintes. Enduire les parties chromées avec de l'huile antirouille.
6. Graisser la chaîne secondaire (voir page 64).
7. Gonfler les pneus aux pressions préconisées. Placer la moto sur cales pour que ses roues ne touchent pas le sol.
8. Recouvrir la moto d'une bâche (ne pas utiliser de bâches en matière plastique ni de matériaux à revêtement) et la ranger dans un endroit non chauffé, à l'abri de l'humidité et dont les variations de températures journalières sont minimum. Veiller à ce que la moto ne soit pas exposée aux rayons directs du soleil.

## **FIN DU REMISAGE**

1. Retirer la bâche et nettoyer la moto. Renouveler l'huile du moteur si plus de 4 mois se sont écoulés depuis le début du remisage.
2. Vérifier le niveau d'électrolyte et, si nécessaire, recharger la batterie. Reposer la batterie.
3. Vidanger l'excès d'huile antirouille en aérosol du réservoir d'essence. Faire le plein avec de
4. l'essence fraîche. Effectuer tous les "Contrôles avant l'utilisation" (page 34). Tester la moto en roulant à faible allure dans un endroit sûr à l'écart de la circulation.



## CARACTERISTIQUES

### DIMENSIONS

Longueur hors-tout	2.220 mm ·· AR, IG, IIG, IIIG, SW
	2.155 mm ·· E, ED, F, SP, U
Largeur hors-tout	780 mm
Hauteur hors-tout	1.100 mm
Empattement	1.495 mm

### POIDS

Poids à sec	215,0 kg
-------------	----------

### CAPACITES

Huile moteur	
(Après la vidange )	2,8 ℓ
(Après la vidange et le remplacement du filtre à huile)	3,0 ℓ
(Après le démontage )	3,8 ℓ
Réservoir d'essence	20,0 ℓ
Réserve d'essence	3,0 ℓ
Nombre de passagers	Le pilote et un passager
Poids maximal autorisé	190 kg

## MOTEUR

Alésage et course  
Taux de compression  
Cylindrée  
Bougie d'allumage  
Standard

67 x 53 mm  
9,3 : 1  
747 cm<sup>3</sup>

DPR8EA-9 (NGK) ou  
X24EPR-U9 (NIPPONDENSO)

*Pour conduite prolongée a  
grande vitesse*

DPR9EA-9 (NGK) ou  
X27EPR-U9 (NIPPONDENSO)

Ecartement des électrodes  
Régime de ralenti

0,8-0,9 mm  
 $1.200 \pm 100 \text{ min}^{-1} (\text{tr/mn}) \cdot \cdot \text{ E, F, IG, IIG, IIIG, ED, U, AR, SP}$   
 $1.200 \pm 50 \text{ min}^{-1} (\text{tr/mn}) \cdot \cdot \text{ SW}$

## **CADRE ET SUSPENSION**

Angle de chasse	26°
Longueur de chasse	91 mm
Dimensions de pneu avant	120/70R17 58V (DUNLOP) 120/70ZR17 (MICHELIN)
Dimensions de pneu arrière	150/70R17 69V (DUNLOP) 150/70ZR17 (MICHELIN)

## **TRANSMISSION**

Démultiplication primaire	1,780
Rapports 1re	3,000
2e	2,056
3e	1,545
4e	1,240
5e	1,074
Démultiplication finale	2,667

## **CIRCUIT ELECTRIQUE**

Batterie

12V – 14Ah

Alternateur

0,24 kW/5.000 min<sup>-1</sup> (tr/mn)

## **FEUX ET TEMOINS**

Phare

12V – 60/55W

Feu arriè/stop

12V – 5/21W x 2

Clignotant

Avant

12V – 21W

Arrière

12V – 21W

Eclairage des instruments de bord

12V – 3,4W x 2

Témoin de point-mort

12V – 1,7W

Témoin de clignotant

12V – 1,7W

Témoin de feu de route

12V – 1,7W

Témoin de basse pression d'huile

12V – 1,7W

Témoin de béquille latérale

12V – 1,7W

## **FUSIBLE**

30A (Fusible principal)

10A.15A

**HONDA**

**CB750F2**

**CB SevenFifty**

**FAHRER-HANDBUCH**



## WICHTIGER HINWEIS

- **FAHRER UND BEIFAHRER**

Dieses Motorrad ist für den Betrieb mit Fahrer und Beifahrer konstruiert. Überschreiten Sie niemals das auf der Reifeninformationsplakette angegebene zulässige Zuladungsgewicht des Fahrzeugs.

- **STRASSENBETRIEB**

Dieses Motorrad ist nur für Straßenbetrieb konstruiert.

- **LESEN SIE DIESES FAHRERHANDBUCH AUFMERKSAM DURCH**

Widmen Sie Ihre besondere Aufmerksamkeit denjenigen Hinweisen und Anweisungen, die wie folgt gekennzeichnet sind:

### **▲ WARNUNG**

**Dort finden Sie besonders wichtige Hinweise und Anweisungen, deren Mißachtung Verletzungs- und Unfallgefahr für Leib und Leben bedeutet.**

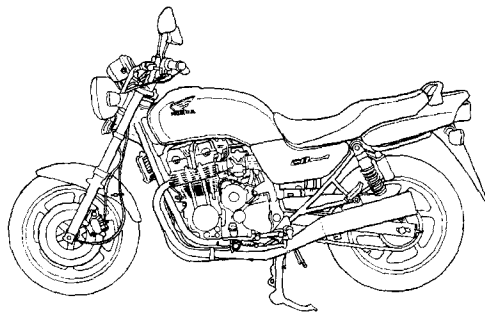
### **VORSICHT**

**Dort finden Sie wichtige Informationen über ungeeignete oder riskante Handhabungen Ihres Motorrads, die sowohl Sachbeschädigungen als auch Körperverletzungen verursachen können.**

**ZUR BEACHTUNG:** Gibt nützliche Information.

Diese Betriebsanleitung ist ein wichtiger Bestandteil der Fahrzeugausrüstung und sollte im Falle eines Weiterverkaufs Ihres Motorrads unbedingt bei dem Motorrad verbleiben.

**HONDA CB750F2  
CB SevenFifty  
FAHRER-HANDBUCH**



**Alle Informationen in dieser Veröffentlichung beruhen auf der neuesten Produktinformation, die zum Zeitpunkt der Druckgenehmigung verfügbar war. Die Firma HONDA MOTOR CO., LTD. behält sich das Recht vor, Änderungen jederzeit und ohne Vorankündigung vorzunehmen, ohne irgendwelche Verpflichtungen einzugehen.**

**Kein Teil dieser Veröffentlichung darf ohne schriftliche Genehmigung reproduziert werden.**

## WILLKOMMEN

Das Motorrad stellt für seinen Besitzer eine Herausforderung dar, die Maschine zu beherrschen, eine Herausforderung zum Abenteuer. Sie spüren den Fahrtwind und sind mit der Straße verbunden durch ein Fahrzeug, das wie kein anderes Ihren Befehlen gehorcht. Im Gegensatz zum Auto umgibt Sie kein metallener Schutzkäfig. Wie bei einem Flugzeug sind sorgfältiges Prüfen einer Checkliste vor jeder Fahrt und regelmäßige Wartung wesentliche Sicherheitsfaktoren. Als Belohnung wartet die Freiheit auf zwei Rädern auf Sie.

Um der Herausforderung gut gewappnet zu begegnen und das Abenteuer voll zu genießen, sollten Sie dieses Fahrerhandbuch aufmerksam durchlesen, **BEVOR SIE MIT DEM MOTORRAD FAHREN.**

Wenn Wartungsarbeiten erforderlich sind, denken Sie daran, daß Ihr HONDA-Vertragshändler Ihr Motorrad am besten kennt. Falls Sie über das erforderliche technische "know-how" und die richtigen Werkzeuge verfügen, können Sie bei Ihrem Händler das offizielle HONDA-Werkstatt-Handbuch erhalten, das Ihnen bei der Durchführung vieler Wartungs- und Reparaturarbeiten behilflich sein wird.

Gute Fahrt und vielen Dank für die Wahl einer HONDA !

- Die nachstehenden Abkürzungen in diesem Handbuch beziehen sich auf folgende Länder:

AR	Österreich	F	Frankreich	SP	Spanien
E	Großbritannien	IG	Deutschland I Finnland Dänemark Norwegen	U	Kanarische Inseln Australien Neuseeland
ED	Europa-Direktvertrieb Belgien Italien Holland Portugal Griechenland				
		IIG	Deutschland II Schweden		
		IIIG	Deutschland III		
		SW	Schweiz		

- \* IG... Typ ohne Leistungseinschränkung
- \* IIG... Typ mit Leistungseinschränkung
- \* IIIG... Typ mit Leistungseinschränkung

- Die technischen Daten können von Land zu Land verschieden sein.



# BEDIENUNG

Seite		Seite	
1	MOTORRAD-SICHERHEIT	28	Bedienungselemente an der rechten Lenkerseite
1	Regeln für sicheres Fahren		
2	Schutzkleidung	29	Bedienungselemente an der linken Lenkerseite
2	Abänderungen		
3	Zuladung und Zubehör		
6	ANORDNUNG DER BEDIENUNGSELEMENTE	30	MERKMALE (ohne Bedeutung für den Betrieb)
9	Instrumente und Anzeigen	30	Lenkschloß
		31	Helmhalter
12	HAUPTTEILE (Wichtige Information zum Betrieb dieses Motorrads)	32	Sitz
12	Federung	32	Dokumentenfach
13	Bremsen	33	Seitendeckel
17	Kupplung		
19	Kraftstoff	34	BEDINUNG
23	Motoröl	34	Überprüfung vor dem Fahren
24	Schlauchlose Reifen	35	Anlassen des Motors
		38	Einfahren
27	WICHTIGE EINZELTEILE	39	Fahren
27	Zündschalter	41	Bremsen
		42	Parken
		42	Hinweise zur Diebstahlverhütung

## **WARTUNG**

Seite

43	WARTUNG
44	Wartungsplan
47	Werkzeugsatz
48	Seriennummern
49	Farbplakette
50	Wartungshinweise
51	Motoröl
54	Kurbelgehäuse-Entlüftung
55	Zündkerzen
57	Gasdrehgriffbetätigung
58	Leerlaufdrehzahl
59	Luftfilter
60	Antriebskette
65	Antriebsketten-schiebestück
66	Seitenständer
67	Ausbau der Räder
74	Bremsbelag-Verschleiss
76	Batterie
79	Auswechseln der Sicherungen
81	Ersetzen der leuchtenbirne

Seite

87	REINIGEN
89	HINWEISE ZUR STILLEGUNG
89	Ausserbetriebnahme
90	Wiederinbetriebnahme
91	TECHNISCHE DATEN

# MOTORRAD-SICHERHEIT

## **▲ WARNUNG**

\* **Motorradfahren erfordert vom Fahrer besondere Vorsichtsmaßnahmen, um die persönliche Sicherheit zu gewährleisten. Machen Sie sich mit diesen Vorsichtsmaßnahmen vertraut, bevor Sie fahren.**

## **REGELN FÜR SICHERES FAHREN**

1. Machen Sie stets eine "Überprüfung vor dem Fahren" (Seite 34), bevor Sie den Motor starten. Sie dient der Unfallverhütung und schützt die Maschine vor Schaden.
2. Viele Unfälle werden von unerfahrenen Fahrern verursacht. Für dieses Motorrad ist der Besitz eines Motorrad-Führerscheins nach erfolgreicher Absolvierung einer Fahrprüfung unerlässlich. Vergewissern Sie sich, daß Sie im Besitz der vorgeschriebenen Fahrerlaubnis sind, bevor Sie losfahren. Lassen Sie NIE-MALS eine unerfahrene Person mit Ihrem Motorrad fahren.
3. Viele Unfälle zwischen Autos und Motorrädern ereignen sich deshalb, weil der Autofahrer den Motorradfahrer nicht rechtzeitig sieht. Machen Sie sich gut bemerkbar, um unverschuldete Unfälle zu vermeiden:

- Tragen Sie auffällig helle oder reflektierende Kleidung.
  - Fahren Sie nicht im "toten Winkel" anderer Verkehrsteilnehmer.
4. Befolgen Sie die regionalen Gesetze und Bestimmungen.
    - Überhöhte Geschwindigkeit ist ein Faktor bei vielen Unfällen. Befolgen Sie Geschwindigkeitsbegrenzungen und fahren Sie NIE-MALS schneller, als es die Umstände zulassen.
    - Zeigen Sie Abbiegen oder Spurwechsel rechtzeitig an. Ihre Größe und Wendigkeit kann andere Verkehrsteilnehmer überraschen.
  5. Lassen Sie sich nicht von anderen Verkehrsteilnehmern überraschen. Seien Sie äußerst wachsam an Kreuzungen, Aus- und Einfahrten von Parkplätzen und an Einmündungen von Seitenstraßen.
  6. Halten Sie während der Fahrt den Lenker mit beiden Händen fest und lassen Sie beide Füße auf den Fußrasten ruhen. Der Beifahrer sollte sich mit beiden Händen am Motorrad oder Fahrer festhalten und beide Füße auf den Soziusfußrasten ruhen lassen.

## SCHUTZKLEIDUNG

1. Die meisten Motorradunfälle mit tödlichem Ausgang sind auf Kopfverletzungen zurückzuführen: Tragen Sie **IMMER** einen Schutzhelm. Neben Stiefeln, Handschuhen und Schutzkleidung sollten Sie auch einen Gesichtsschutz oder eine Schutzbrille tragen. Der Beifahrer benötigt den gleichen Schutz.
2. Die Auspuffanlage wird während des Betriebs sehr heiß und bleibt auch nach dem Abstellen des Motors noch längere Zeit heiß. Berühren Sie daher keinen Teil der heißen Auspuffanlage. Tragen Sie nur solche Kleidung, die Ihre Beine vollständig bedeckt.
3. Tragen Sie keine weiten Kleidungsstücke, die sich in den Bedienungshebeln, den Fußrasten, der Antriebskette oder den Rädern verfangen können.

## ABÄNDERUNGEN

### **▲ WARNUNG**

- \* **Abänderungen am Motorrad oder das Entfernen von Original-Teilen können das Fahrzeug unsicher oder gesetzwidrig machen. Beachten Sie alle Bestimmungen der StVZO.**

## ZULADUNG UND ZUBEHÖR

### **AWARNUNG**

\* Beim Anbringen von und beim Fahren mit Zubehörteilen und Gepäck muß äußerste Sorgfalt walten, damit Unfälle vermieden werden. Das Anbringen von Zubehörteilen und Gepäck kann die Fahrstabilität, die Fahrleistungen und das sichere Fahrverhalten eines Motorrads erheblich beeinträchtigen und eine wesentliche Herabsetzung der Fahrgeschwindigkeit erfordern. Fahren Sie ein mit Zubehörteilen ausgerüstetes oder mit Gepäck beladenes Motorrad niemals schneller als 130 km/h. Denken Sie auch daran, daß die oben genannten Beeinträchtigungen der Fahrsicherheit durch das Anbringen von markenfremden Zubehörteilen, durch falsches Beladen, abgefahrene Reifen, schlechten Gesamtzustand des Motorrads, schlechte Straßen oder Wetterverhältnisse usw. noch erheblich verstärkt werden können. Diese Zusammenhänge sollten Sie in jedem Fall bedenken, bevor Sie Ihr Motorrad mit Zubehörteilen ausrüsten oder mit Gepäck beladen.

### **Beladen**

Das Gesamtgewicht von Fahrer, Beifahrer, Gepäck und Zubehör darf das zulässige Zuladungsgewicht nicht überschreiten:

190 kg

Das Gepäckgewicht allein sollte nicht überschreiten:

27 kg

1. Halten Sie das Gewicht von Zubehörteilen und Gepäck möglichst gering, und bringen Sie insbesondere Gepäck möglichst nahe dem Fahrzeugschwerpunkt unter. Je weiter der Schwerpunkt der Zuladung vom Fahrzeugschwerpunkt entfernt ist, desto mehr wird die sichere Handhabung des Motorrads beeinträchtigt. Verteilen Sie das Gewicht gleichmäßig auf beide Seiten, um ein Ungleichgewicht zu vermeiden.
2. Passen Sie Reifenfülldruck (Seite 24) und Hinterradfederung (Seite 12) dem Zuladungsgewicht und den Fahrverhältnissen an.

3. Handling, Fahrstabilität und Fahrsicherheit können durch lose Gepäckstücke erheblich beeinträchtigt werden. Überprüfen Sie öfters die Verzerrung der Gepäckstücke und die Befestigung von Zubehörteilen.
4. Befestigen Sie keine großen oder schweren Gegenstände (wie z. B. einen Schlafsack oder ein Zelt) an Lenker, Teleskopgabel oder Kotflügel, weil dies zu einer erheblichen Beeinträchtigung der Lenkung und zum Verlust der Kontrolle über das Fahrzeug führen kann.

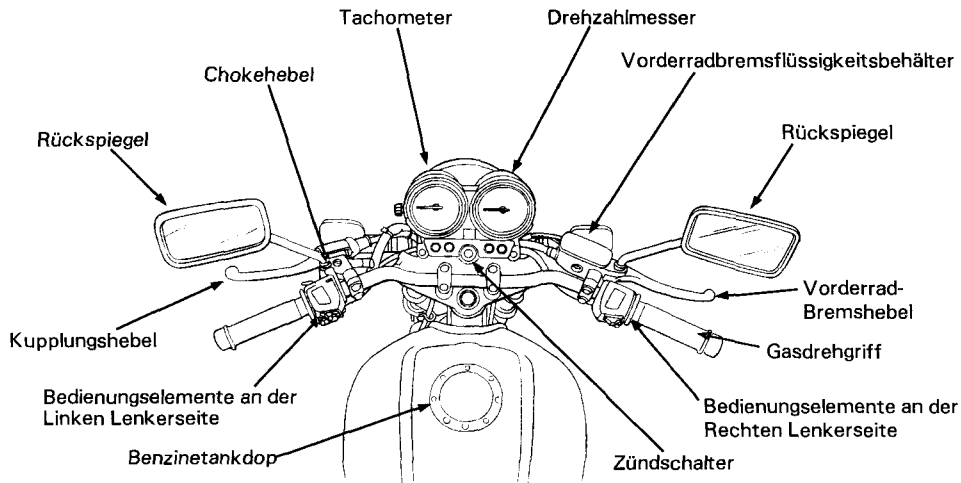
### **Zubehör**

Soweit für Ihr Motorrad HONDA Original-Zubehörteile angeboten werden, sind diese speziell für Ihren Fahrzeugtyp entwickelt und an ihm getestet worden. Ob das Fahrverhalten Ihres Fahrzeugs durch die Anbringung fremden Zubehörs negativ beeinflusst wird, hat HONDA nicht geprüft. Es obliegt deshalb Ihnen, sich über die durch fremdes Zubehör verursachten Sicherheitsrisiken und Unfallgefahren zu informieren. Beachten Sie unbedingt folgende Hinweise:

1. Prüfen Sie das Zubehörteil sorgfältig, um sicherzustellen, daß es keine Leuchten verdeckt, die Bodenfreiheit oder die Schräglage in Kurven nicht reduziert, und nicht den Federweg, den Lenkereinschlag oder die Betätigung der Bedienungshebel beeinträchtigt.
2. Verkleidungen und Frontscheiben können bei höheren Geschwindigkeiten aerodynamische Kräfte entwickeln und damit zu unbeherrschbaren Fahrzuständen führen. Gefährlich sind insbesondere Verkleidungen und Frontscheiben, die am Lenksystem (Lenker, Gabelholme etc.) befestigt sind. Montieren Sie keine Verkleidungen, die den Luftstrom zum Motor verringern.

3. Zubehörteile, welche die Sitzposition verändern und damit die Hände oder Füße weiter weg von den Bedienungselementen verlagern, können in Gefahrensituationen die Reaktionszeit verlängern.
4. Montieren Sie keine elektrischen Zubehörteile, welche die Kapazität der elektrischen Anlage des Motorrads überlasten. Das Durchbrennen einer Sicherung kann sich besonders bei Nacht durch Ausfall der Beleuchtung oder in dichtem Verkehr durch plötzliches Ausgehen des Motors gefährlich auswirken.
5. Dieses Motorrad ist nicht für Seitenwagen- oder Anhängerbetrieb konstruiert. Seitenwagen und Anhänger können die Fahrsicherheit erheblich beeinträchtigen.

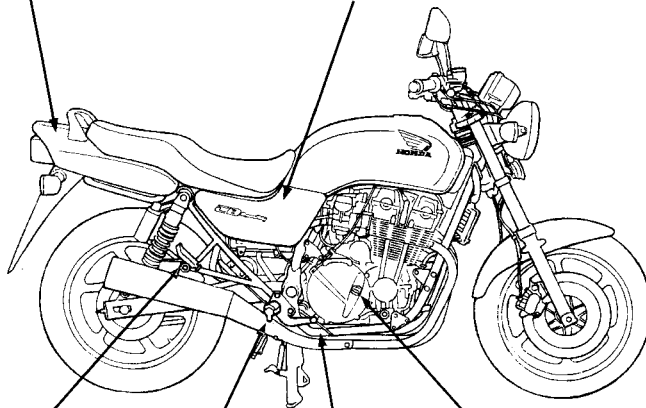
# ANORDNUNG DER BEDIENUNGSELEMENTE





Dokumentenfach

Batterie

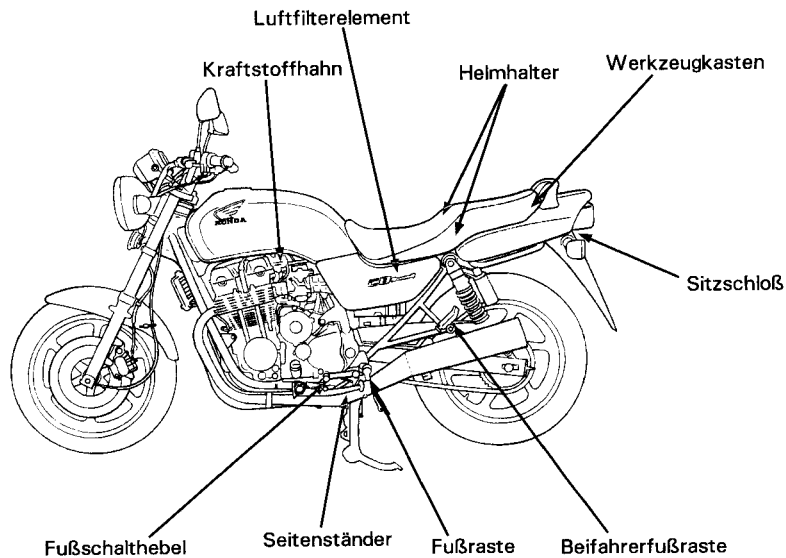


Beifahrerfußraste

Fußraste

Hinterrad-Bremspedal

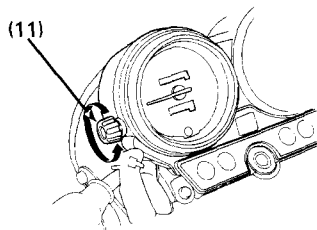
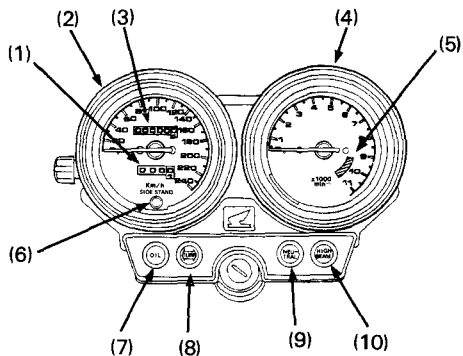
Öleinfüllverschluß/Ölmeßstab



## INSTRUMENTE UND ANZEIGEN

Die Anzeigeleuchten sind im Armaturenbrett integriert. Die jeweiligen Funktionen werden in den Tabellen der folgenden Seiten beschrieben.

- (1) Tageskilometerzähler
- (2) Tachometer
- (3) Kilometerzähler
- (4) Drehzahlmesser
- (5) Roter Drehzahlmesserbereich
- (6) Seitenständer-Anzeige
- (7) Anzeige für niedrigen Öldruck
- (8) Blinker-Anzeigeleuchte
- (9) Leerlauf-Anzeigeleuchte
- (10) Fernlicht-Anzeigeleuchte
- (11) Tageskilometerzähler-Rückstellknopf



(Bez.-Nr.) Bezeichnung	Funktion
(1) Tageskilometerzähler	Zeigt die pro Fahrt zurückgelegten Kilometer an.
(2) Tachometer	Zeigt die Fahrgeschwindigkeit an.
(3) Kilometerzähler	Zeigt den Gesamtkilometerstand an.
(4) Drehzahlmesser	Zeigt die Motordrehzahl an.
(5) Roter Bereich des Drehzahlmesser	<p>Die Zeigernadel des Drehzahlmessers darf auf keinen Fall in den roten Bereich ausschlagen, auch nicht, nachdem der Motor eingefahren ist.</p> <p><b>VORSICHT</b></p> <p><b>* Den Motor nicht mit einer höheren als der empfohlenen Maximaldrehzahl laufenlassen (roter Bereich des Drehzahlmessers), da dies einen Motorschaden verursachen kann.</b></p>
(6) Seitenständer-Anzeige	Leuchtet auf, wenn der Seitenständer ausgeklappt wird. Vor dem Parken sicherstellen, daß der Seitenständer vollständig ausgeklappt ist. Die Leuchte zeigt nur an, daß die Seitenständer-Zündstromabschaltung (Seite 35) aktiviert ist.

(Bez.-Nr.) Bezeichnung	Funktion
(7) Anzeige für niedrigen Öldruck	<p>Leuchtet auf, wenn der Motoröldruck unter den normalen Betriebsbereich abfällt. Die Leuchte muß aufleuchten, wenn bei stehendem Motor die Zündung eingeschaltet wird. Sie sollte erlöschen, sobald der Motor anspringt, mit Ausnahme eines gelegentlichen Aufflackerns bei oder in der Nähe der Leerlaufdrehzahl, wenn der Motor warmgelaufen ist.</p> <p><b>VORSICHT</b></p> <p><b>* Der Betrieb des Motors mit unzureichendem Öldruck führt zu schwerwiegenden Motorschäden.</b></p>
(8) Blinker-Anzeigeleuchte	Blinkt bei Betätigung der Blinkleuchten.
(9) Leerlauf-Anzeigeleuchte (grün)	Leuchtet auf, wenn das Getriebe in den Leerlauf geschaltet ist.
(10) Fernlicht-Anzeigeleuchte (blau)	Leuchtet bei eingeschaltetem Fernlicht auf.
(11) Tageskilometerzähler-Rückstellknopf	Stellt den Tageskilometerzähler auf Null (0) zurück. Knopf in die gezeigte Richtung drehen.

## HAUPTTEILE (Wichtige Information zum Betrieb dieses Motorrads)

### **⚠ WARNUNG**

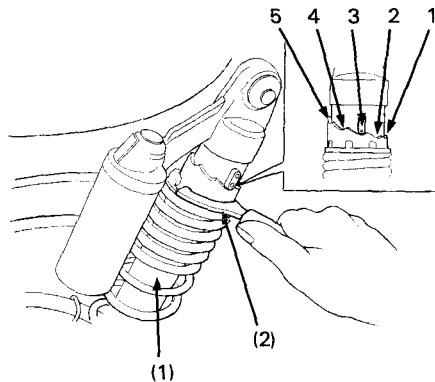
\* Eine Mißachtung der "Überprüfung vor dem Fahren" (Seite 34) kann zu schwerer Körperverletzung oder Beschädigung des Fahrzeugs führen.

### **FEDERUNG**

Jeder Stoßdämpfer (1) besitzt 5 Raststellungen zur Anpassung an unterschiedliche Belastungen oder Fahrverhältnisse.

Die Einstellung kann mit Hilfe des Hakenschlüssels (2) vorgenommen werden.

Position 1 ist für leichte Belastung und gute Straßenverhältnisse vorgesehen. Die Positionen 2 bis 5 ergeben eine zunehmende Steigerung der Federvorspannung für eine härtere Hinterradfederung und können benutzt werden, wenn das Motorrad schwer beladen ist. Unbedingt beide Stoßdämpfer auf die gleiche Position einstellen.  
Standard-Position: 2



- (1) Stoßdämpfer
- (2) Hakenschlüssel

## BREMSEN

Vorder- und Hinterrad dieses Motorrads sind mit hydraulischen Scheibenbremsen bestückt.

Mit zunehmendem Verschleiß der Bremsbeläge sinkt der Bremsflüssigkeitsstand.

Einstellungen erübrigen sich, nur Bremsflüssigkeitsstand und Bremsbelagverschleiß müssen regelmäßig überprüft werden. Das System muß häufig inspiziert werden, um sicherzustellen, daß keine Bremsflüssigkeit ausläuft. Falls das Spiel des Bremshebels oder Bremspedals übermäßig groß wird, die Bremsbeläge aber noch nicht über die Verschleißgrenze (Seite 74) hinaus abgenutzt sind, befindet sich wahrscheinlich Luft im Bremssystem, die herausgelassen werden muß. Lassen Sie das Entlüften von Ihrem HONDA-Vertragshändler ausführen.

Bremsflüssigkeitsstand im vorderen Behälter:

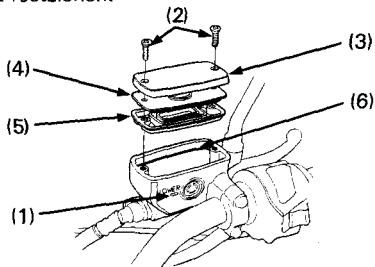
### **▲ WARNUNG**

- \* **Bremsflüssigkeit kann Hautreizung verursachen. Nicht mit Haut oder Augen in Berührung bringen. Im Falle einer Berührung mit Bremsflüssigkeit gründlich mit Wasser abwaschen und einen Arzt rufen, falls die Augen betroffen sind.**
- \* **AUSSER REICHWEITE VON KINDERN HALTEN.**

### **VORSICHT**

- \* **Bremsflüssigkeit mit Vorsicht behandeln, weil sie Kunststoff und Lack angreift.**
- \* **Beim Nachfüllen von Bremsflüssigkeit ist darauf zu achten, daß sich der Behälter in waagerechter Lage befindet, bevor der Deckel entfernt wird, weil sonst Bremsflüssigkeit ausläuft.**
- \* **Nur Bremsflüssigkeit DOT 4 aus einem verschlossenen Behälter verwenden.**
- \* **Sorgfältig darauf achten, daß keine Verunreinigungen wie Schmutz oder Wasser in den Bremsflüssigkeitsbehälter gelangen.**

Wenn der Stand der Bremsflüssigkeit bis in die Nähe der unteren Markierung (1) im Reservoir abgesunken ist, muß Bremsflüssigkeit nachgefüllt werden. Die Schrauben (2) herausdrehen, den Reservoirdeckel (3), die Membranplatte (4) und die Membran (5) abnehmen. Das Reservoir mit Bremsflüssigkeit des Typs DOT 4 aus einem verschlossenen Behälter bis zur oberen Markierung (6) auffüllen. Die Membran, Membranplatte und den Deckel wieder anbringen. Die Schrauben dann wieder gut festziehen.



- |                      |                       |
|----------------------|-----------------------|
| (1) Untere Pegelmark | (4) Membranplatte     |
| (2) Schrauben        | (5) Membran           |
| (3) Behälterdeckel   | (6) Oberen Pegelmarke |

14

## Hinterradbremse

Bremsflüssigkeitsstand im hinteren Behälter:

### **▲ WARNUNG**

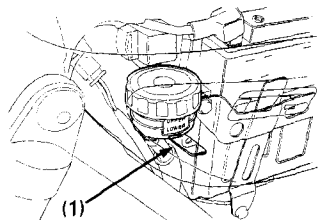
- \* **Bremsflüssigkeit kann Hautreizung verursachen. Nicht mit Haut oder Augen in Berührung bringen. Im Falle einer Berührung mit Bremsflüssigkeit gründlich mit Wasser abwaschen und einen Arzt rufen, falls die Augen betroffen sind.**
- \* **AUSSER REICHWEITE VON KINDERN HALTEN.**

### **VORSICHT**

- \* **Bremsflüssigkeit mit Vorsicht behandeln, weil sie Kunststoff und Lack angreift.**
- \* **Beim Nachfüllen von Bremsflüssigkeit ist darauf zu achten, daß sich der Behälter in waagerechter Lage befindet, bevor der Deckel entfernt wird, weil sonst Bremsflüssigkeit ausläuft.**
- \* **Nur Bremsflüssigkeit DOT 4 aus einem verschlossenen Behälter verwenden.**
- \* **Sorgfältig darauf achten, daß keine Verunreinigungen wie Schmutz oder Wasser in den Bremsflüssigkeitsbehälter gelangen.**



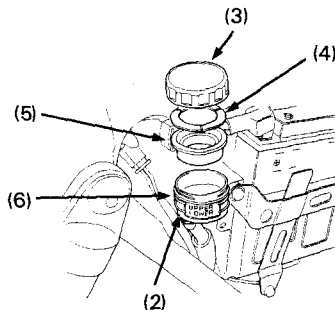
Bei aufrecht stehendem Motorrad den Bremsflüssigkeitsstand durch das Kontrollfenster (1) im rechten Seitendeckel überprüfen.



(1) Kontrollfenster

Wenn der Stand der Bremsflüssigkeit bis in die Nähe der unteren Markierung (2) im Reservoir abgesunken ist, muß Bremsflüssigkeit nachgefüllt werden. Den rechten Seitendeckel entfernen (Seite 33). Den Reservoirdeckel (3), die Membranplatte (4) und die Membran (5)

abnehmen. Das Reservoir mit Bremsflüssigkeit des Typs DOT 4 aus einem verschlossenen Behälter bis zur oberen Markierung (6) auffüllen. Die Membran, die Membranplatte und den Deckel wieder einbauen.



- (2) Untere Pegelmarke
- (3) Behälterdeckel
- (4) Membranplatte
- (5) Membran
- (6) Obere Pegelmarke

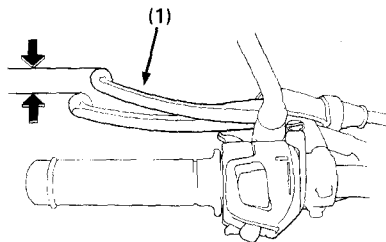
Sonstige Überprüfungen:

Sichergehen, daß keine Bremsflüssigkeit ausläuft. Die Schläuche und Anschlüsse auf Abnutzung oder Risse untersuchen.

## KUPPLUNG

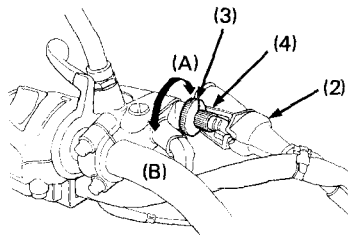
Eine Einstellung der Kupplung kann erforderlich werden, falls der Motor beim Einlegen eines Gangs ausgeht, das Getriebe schwer schaltbar ist oder die Kupplung rutscht. Kleinere Einstellungen können mit Hilfe der Kupplungszug-Einstellvorrichtung (1) am Kupplungshebel (4) vorgenommen werden.

Das normale Kupplungshebelspiel beträgt:  
10—20 mm



(1) Kupplungshebel

1. Die Staubkappe (2) zurückziehen. Die Gegenmutter (3) lösen und die Einstellvorrichtung (4) drehen. Anschließend die Gegenmutter (3) wieder anziehen und die Einstellung überprüfen.
2. Falls die Einstellvorrichtung fast ganz herausgedreht ist oder eine korrekte Einstellung des Spiels nicht möglich ist, die Gegenmutter (3) lösen und die Einstellvorrichtung (4) ganz hindrehen. Anschließend die Gegenmutter (3) wieder anziehen und mit der Staubkappe abdecken.



- |                                      |                      |
|--------------------------------------|----------------------|
| (2) Staubkappe                       | (A) Spiel vergrößern |
| (3) Gegenmutter                      | (B) Spiel verringern |
| (4) Kupplungszug-Einstellvorrichtung |                      |

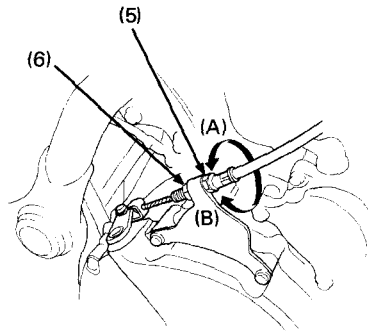
3. Die Gegenmutter (6) am unteren Ende des Seilzugs lösen. Zum Einstellen des Spiels die Einstellmutter (5) drehen. Anschließend die Gegenmutter (6) wieder anziehen und die Einstellung überprüfen.
4. Den Motor anlassen, den Kupplungshebel ziehen und einen Gang einlegen. Sicherstellen, daß der Motor nicht ab stirbt und das Getriebe leicht schaltbar ist. Den Kupplungshebel allmählich loslassen und den Gasdrehgriff aufdrehen. Das Motorrad sollte weich anfahren und zügig beschleunigen.

#### ZUR BEACHTUNG:

- \* Falls eine korrekte Einstellung nicht möglich ist oder die Kupplung nicht einwandfrei funktioniert, wenden Sie sich an Ihren HONDA-Vertragshändler.

#### Sonstige Überprüfungen:

Den Kupplungszug auf Knicke oder Verschleiß untersuchen, wodurch Schwergängigkeit oder Ausfall der Kupplung verursacht werden könnten. Den Kupplungszug mit einem handelsüblichen Seilzugschmiermittel schmieren, um vorzeitigen Verschleiß und Korrosion zu verhüten.



(5) Einstellmutter  
(6) Gegenmutter

(A) Spiel vergrößern  
(B) Spiel verringern

## KRAFTSTOFF

### OFF

In dieser Stellung des Kraftstoffhahns fließt kein Kraftstoff vom Tank zum Vergaser. Stellen Sie den Kraftstoffhahn grundsätzlich auf OFF, wenn das Motorrad außer Betrieb ist.

### ON

In dieser Stellung des Kraftstoffhahns fließt Kraftstoff vom Hauptvorrat zum Vergaser.

### RES

In dieser Stellung des Kraftstoffhahns fließt Kraftstoff vom Reservenvorrat zum Vergaser. Benutzen Sie diese Stellung nur, nachdem der Hauptvorrat aufgebraucht ist. Nach dem Umschalten auf RES sollten Sie möglichst bald auftanken.

Der Reservekraftstoffvorrat beträgt:

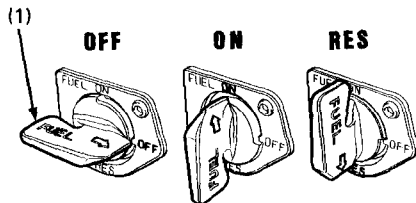
3,0 l

## ⚠ WARNUNG

\* **Üben Sie das Umschalten des Kraftstoffhahns während der Fahrt, um plötzliches Ausgehen des Motors infolge Kraftstoffmangels zu vermeiden.**

### ZUR BEACHTUNG:

\* Nach jedem Tanken sicherstellen, daß der Kraftstoffhahn auf "ON" gestellt ist. Wenn der Kraftstoffhahn in der Position "RES" belassen wird, kann der ganze Kraftstoff aufgebraucht werden, ohne daß noch eine Reserve zur Verfügung steht.



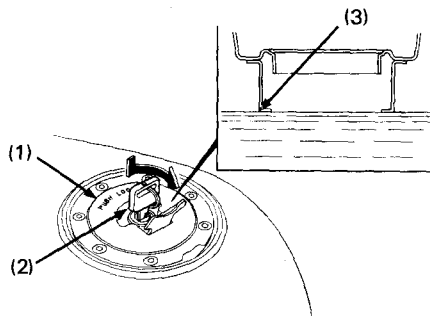
(1) Kraftstoffhahn

## Kraftstofftank

Das Fassungsvermögen des Kraftstofftanks einschließlich Reservevorrat beträgt:

20,0 l

Zum Öffnen des Kraftstoffeinfüllverschlusses (1) den Zündschlüssel (2) einstecken und im Uhrzeigersinn drehen. Der Verschluss ist gelenkig angeschlossen und geht hoch.



- (1) Kraftstoffeinfüllverschlusses
  - (2) Zündschlüssel
  - (3) Einfüllstutzen
- 20

Den Kraftstoffeinfüllverschluss zum Schließen nach dem Tanken in den Einfüllstutzen drücken, so daß er einschnappt und arretiert bleibt. Den Schlüssel abziehen.

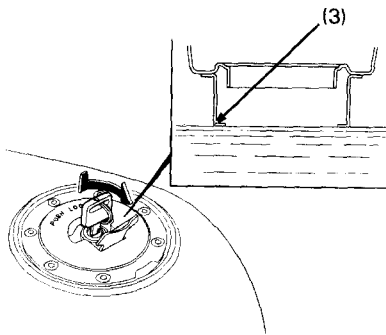
Bleifreies oder bleiarms Benzin mit einer Forschungsoktanzahl von 91 oder höher verwenden. Honda empfiehlt den Gebrauch bleifreien Benzins, da es im Vergleich zu verbleitem Benzin weniger Verbrennungsraum- und Zündkerzenablagerungen verursacht und die Lebensdauer von Auspuffanlagenbauteilen verlängert.

## VORSICHT

\* Falls der Motor bei normaler Belastung und gleichbleibender Drehzahl "klopft" oder "klingelt", wechseln Sie die Benzinmarke. Falls das Klopfen oder Klingeln nicht verschwindet, wenden Sie sich an einen HONDA-Vertragshändler. Nichtbeachtung wird als Fehlgebrauch angesehen, und durch Fehlgebrauch verursachte Schäden sind nicht von der HONDA-Garantie gedeckt.

## **▲ WARNUNG**

- \* Benzin ist äußerst feuergefährlich und unter gewissen Bedingungen explosiv. Das Nachfüllen des Kraftstoffs muß in einem gut belüfteten Raum sowie bei abgestelltem Motor erfolgen. Beim Auftanken bzw. im Kraftstoff-Aufbewahrungsbereich nicht rauchen; offene Flammen und Funken sind fernzuhalten.
- \* Den Kraftstofftank nicht überfüllen (es darf kein Benzin im Einfüllstutzen (3) stehen). Nach dem Auftanken sicherstellen, daß der Tankdeckel fest verschlossen ist.
- \* Beim Auftanken keinen Kraftstoff verschütten. Verschütteter Kraftstoff oder Kraftstoffdämpfe können sich entzünden. Falls Kraftstoff verschüttet wird, vergewissern Sie sich vor dem Anlassen des Motors, daß die Stelle trocken ist.
- \* Wiederholten oder längeren Hautkontakt und Einatmen von Benzindämpfen vermeiden. AUSSER REICHWEITE VON KINDERN AUFBEWAHREN.



(3) Einfüllstutze

### **Alkoholhaltiges Benzin**

Falls Sie sich für die Verwendung von alkoholhaltigem Benzin (Gasohol) entscheiden, vergewissern Sie sich, daß seine Oktanzahl mindestens so hoch ist wie die für bleifreies Benzin empfohlene. Es gibt zwei Arten von "Gasohol": die eine enthält Äthanol, und die andere Methanol. Verwenden Sie kein Gasohol, das mehr als 10% Äthanol enthält. Verwenden Sie kein Benzin mit beigemischem Methanol (Methyl oder Holzalkohol), das nicht auch Lösungs- und Rostschutzmittel für Methanol enthält. Verwenden Sie auf keinen Fall Benzin mit mehr als 5% Methanolanteil, selbst wenn es Lösungs- und Rostschutzmittel enthält.

### **ZUR BEACHTUNG:**

- \* Beschädigungen des Kraftstoffsystems oder Betriebsstörungen des Motors, die auf die Verwendung solcher Kraftstoffe zurückzuführen sind, sind nicht durch die HONDA-Garantie gedeckt. HONDA kann die Verwendung von Kraftstoffen mit Methanolanteil nicht empfehlen, da die Gutachten über ihre Eignung noch unvollständig sind.
- \* Bevor Sie Kraftstoff von einer unbekanntenen Tankstelle kaufen, versuchen sie herauszufinden, ob der Kraftstoff Alkohol enthält, und wenn ja, von welcher Art und wieviel. Falls Sie nach dem Gebrauch von alkoholhaltigem Benzin irgendwelche unerwünschten Begleiterscheinungen feststellen, verwenden Sie Benzin, von dem Sie wissen, daß es keinen Alkohol enthält.



## MOTORÖL

### Motorölstand-Kontrolle

Den Motorölstand jeden Tag vor Inbetriebnahme des Motorrads überprüfen.

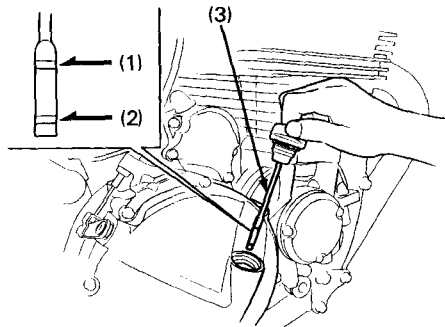
Der Ölstand muß zwischen der oberen (1) und unteren (2) Pegelmarke auf dem Ölmeßstab (3) gehalten werden.

1. Den Motor anlassen und ein paar Minuten mit Leerlaufdrehzahl laufen lassen. Sicherstellen, daß die rote Öldruck-Warnleuchte erlischt. Falls sie erleuchtet bleibt, sofort den Motor abstellen.
2. Den Motor abstellen und das Motorrad auf festem, ebenem Boden aufrecht stellen.
3. Nach einigen Minuten den Öleinfüllverschluß/ Ölmeßstab entfernen, abwischen und wieder einführen, ohne ihn einzuschrauben. Den Ölmeßstab entfernen. Der Ölstand muß zwischen der oberen und unteren Pegelmarke am Ölmeßstab liegen.
4. Gegebenenfalls das vorgeschriebene Öl (siehe Seite 51) bis zur oberen Pegelmarke nachfüllen. Nicht überfüllen.

5. Den Öleinfüllverschluß/Ölmeßstab werder einschrauben. Sicherstellen, daß kein Öl ausläuft.

### VORSICHT

- \* Der Betrieb des Motors mit unzureichendem Öldruck führt zu schwerwiegenden Motorschäden.



- (1) Obere Pegelmarke
- (2) Untere Pegelmarke
- (3) Öleinfüllverschluß/Ölmeßstab

## SCHLAUCHLOSE REIFEN

Dieses Motorrad ist mit schlauchlosen Reifen und den dazugehörigen Ventilen und Radfelgen ausgestattet. Verwenden Sie nur mit "TUBELESS" gekennzeichnete schlauchlose Reifen und schlauchlose Ventile auf Felgen mit der Aufschrift "TUBELESS TIRE APPLICABLE" (geeignet für schlauchlose Reifen).

Richtiger Reifenfülldruck gewährleistet maximale Fahrstabilität, optimalen Fahrkomfort und maximale Lebensdauer der Reifen.

Der Reifenfülldruck ist regelmäßig zu kontrollieren und gegebenenfalls zu korrigieren.

### ZUR BEACHTUNG:

- \* Der Reifendruck ist bei "kalten" Reifen vor dem Fahren zu kontrollieren.
- \* Schlauchlose Reifen besitzen bis zu einem gewissen Grad selbstdichtende Eigenschaften im Falle kleiner Undichtigkeiten, und die Luft entweicht oft nur sehr langsam. Die Reifen müssen daher sehr genau auf Einstiche untersucht werden, besonders wenn sie einen Druckabfall feststellen.

Reifengröße		
Vorn	120/70R17 58V (DUNLOP) 120/70ZR17 (MICHELIN)	
Hinten	150/70R17 69V (DUNLOP) 150/70ZR17 (MICHELIN)	
Reifendruck (kalt), kPa (kg/cm <sup>2</sup> )		
Fahrer allein	Vorn	250 (2,50)
	Hinten	250 (2,50)
Mit Sozius	Vorn	250 (2,50)
	Hinten	290 (2,90)
Reifenmarke NUR SCHLAUCHLOS		
DUNLOP	Vorn	D202F
	Hinten	D202
MICHELIN	Vorn	A89X
	Hinten	M89X

Untersuchen Sie die Reifen auf Einschnitte, eingefahrene Nägel oder sonstige spitze Gegenstände. Überprüfen Sie die Felgen auf Dellen oder Verformung. Falls Sie irgendwelche Schäden feststellen, lassen Sie Reparaturen, Auswechseln und Auswuchten von Ihrem HONDA-Vertragshändler ausführen.

#### **▲ WARNUNG**

- \* **Falscher Reifendruck verursacht abnormen Profilverschleiß und stellt eine Gefahr für die Fahrsicherheit dar. Zu geringer Reifendruck kann dazu führen, daß der Reifen auf der Felge rutscht oder sich gar von ihr ablöst, was zum Verlust der Kontrolle über das Fahrzeug führen kann.**
- \* **Fahren mit übermäßig verschlissenen Reifen ist gefährlich und wirkt sich negativ auf Traktion und Fahrverhalten aus.**

Erneuern Sie die Reifen, bevor die Profiltiefe in Reifenmitte folgende Verschleißgrenzen erreicht:

Minimale Profiltiefe	
Vorn	1,5 mm
Hinten	2,0 mm

**ZUR BEACHTUNG:** (Für Deutschland)

- \* Deutsches Gesetz verbietet Gebrauch von Reifen, deren Profiltiefe weniger als 1,6 mm beträgt.

### Reparatur/Auswechseln:

Wenden Sie sich an Ihren HONDA-Vertragshändler.

### **▲ WARNUNG**

- \* Die Verwendung anderer als der hier aufgelisteten Reifen kann sich negativ auf die Handhabung auswirken.
- \* *Motieren Sie keine Schlauchreifen auf Felgen für schlauchlose Reifen. Es kann vorkommen, daß die Reifenwülste nicht richtig sitzen und auf der Felge rutschen, was ein Entweichen der Luft zur Folge haben kann, wodurch das Fahrzeug unkontrollierbar wird.*
- \* *Verwenden Sie keinen Schlauch in einem schlauchlosen Reifen. Übermäßige Wärmebildung durch Reibung kann den Schlauch zum Platzen bringen, was zu schlagartigem Entweichen der Luft führt, so daß das Fahrzeug unkontrollierbar wird.*
- \* Ein Reifen ist zu erneuern, wenn die Seitenwand punktiert oder beschädigt ist. Die Durchbiegung der Seitenwand kann eine Reparatur zunichte machen und Entweichen der Luft verursachen, so daß das Fahrzeug unkontrollierbar wird.

### **▲ WARNUNG**

- \* **Richtige Radauswuchtung ist notwendig für sicheres, stabiles Fahrverhalten des Motorrads. Die Auswuchtgewichte an den Rädern dürfen nicht entfernt oder verändert werden. Sollte ein erneutes Auswuchten der Räder erforderlich sein, so wenden Sie sich an Ihren HONDA- Vertragshändler. Auswuchten ist erforderlich nach jeder Reifenreparatur und nach jedem Reifenwechsel.**
- \* **Um das Aufbrechen von reparierten Stellen und Entweichen der Luft, was zum Verlust der Kontrolle über das Fahrzeug führen kann, zu vermeiden, darf während der ersten 24 Stunden nach einer Reifenreparatur nicht schneller als 80 km/h und danach nicht schneller als 120 km/h gefahren werden.**

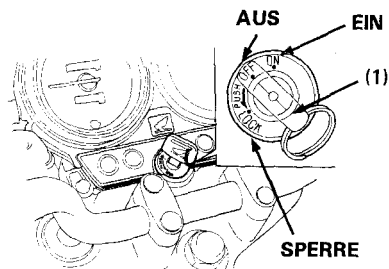
### **VORSICHT**

- \* **Nicht versuchen, schlauchlose Reifen ohne Spezialwerkzeuge und Felgenschützer zu entfernen, weil sonst die Felgendichtungsfläche beschädigt oder die Felge verformt werden können.**

## WICHTIGE EINZELTEILE

### ZÜNDSCHALTER

Der Zündschalter (1) befindet sich unterhalb des Anzeigelampenfeldes.



(1) Zündschalter

Schlüsselstellung	Funktion	Schlüsselfreigabe
LOCK (Lenkschloß)	Die Lenkung ist blockiert. Motor und Beleuchtung sind außer Betrieb.	Schlüssel kann abgezogen werden.
P (Parken) (AR Typ)	Zum Parken des Motorrads am Straßenrand. Schlußlicht und Standlicht sind eingeschaltet, alle übrigen Lampen sind aus. Der Motor kann nicht angelassen werden.	Schlüssel kann abgezogen werden.
OFF (Aus)	Motor und Beleuchtung sind außer Betrieb.	Schlüssel kann abgezogen werden.
ON (Ein)	Motor und Beleuchtung sind betriebsbereit.	Schlüssel kann nicht abgezogen werden.

## BEDIENUNGSELEMENTE AN DER RECHTEN LENKERSEITE

### Motorabstellschalter

Der Motorabstellschalter (1) befindet sich neben dem Gasdrehgriff. In der Stellung RUN (Ein) ist der Motor betriebsbereit. In der Stellung OFF (Aus) ist der Motor außer Betrieb. Dieser Schalter ist in erster Linie als Sicherheits- oder Not-schalter gedacht, und sollte normalerweise auf RUN stehen.

### Scheinwerferschalter <Außer für U-Typ>

Der Scheinwerferschalter (2) besitzt drei Stellungen: "H", "P" und "OFF", markiert durch einen Punkt rechts von "P".

H: Scheinwerfer, Schlußlicht, Standlicht und Instrumentenbeleuchtung sind eingeschaltet.

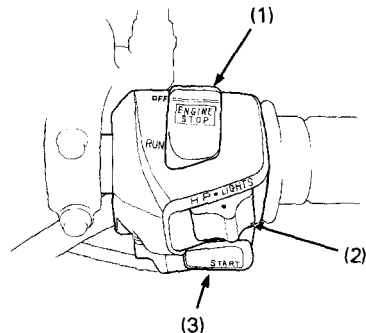
P: Standlicht, Schlußlicht und Instrumentenbeleuchtung sind eingeschaltet.

AUS (Punkt): Scheinwerfer, Schlußlicht, Standlicht und Instrumentenbeleuchtung sind ausgeschaltet.

### Anlasserknopf

Der Anlasserknopf (3) befindet sich unter dem Scheinwerferschalter (2).

Wenn der Anlasserknopf gedrückt wird, kurbelt der Anlasser den Motor durch. Bei auf OFF gestelltem Motorabstellschalter funktioniert der Anlasser nicht. Siehe Seite 36 bezüglich Anlaßverfahren.



- (1) Motorabstellschalter
- (2) Scheinwerferschalter
- (3) Anlasserknopf

## **BEDIENUNGSELEMENTE AN DER LINKEN LENKERSEITE**

### **Scheinwerferabblendschalter (1)**

Den Schalter für Fernlicht auf "HI", für Abblendlicht auf "LO" stellen.

### **Lichthupenschalter (2)**

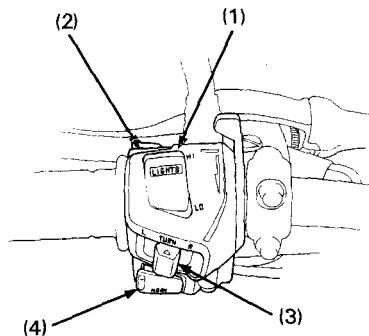
Wird dieser Schalter gedrückt, leuchtet der Scheinwerfer auf, um entgegenkommende Fahrer zu warnen oder die Überholabsicht anzuzeigen.

### **Blinkerschalter (3)**

Zum Anzeigen von Linksabbiegen den Schalter nach L, zum Anzeigen von Rechtsabbiegen nach R schieben. Zum Ausschalten der Blinker drücken.

### **Signalhornknopf (4)**

Zum Betätigen des Signalhorns den Knopf drücken.



- (1) Scheinwerferabblendschalter
- (2) Lichthupenschalter
- (3) Blinkerschalter
- (4) Signalhornknopf

## MERKMALE

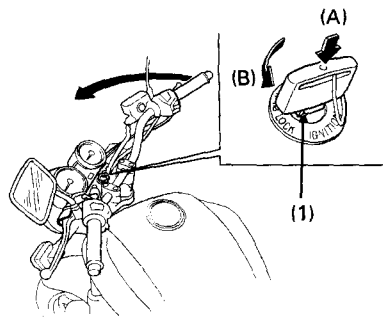
(ohne Bedeutung für den Betrieb)

### LENKSCHLOSS

Zum Verriegeln der Lenkung den Lenker ganz nach links oder rechts einschlagen und den Zündschlüssel (1) bei gleichzeitigem Hineindrücken auf "P" oder "LOCK" drehen. Dann den Schlüssel abziehen.

### **▲ WARNUNG**

\* Auf keinen Fall den Zündschlüssel während der Fahrt mit dem Motorrad auf P oder LOCK drehen, weil dies zum Verlust der Kontrolle über das Fahrzeug führt.



(1) Zündschlüssel

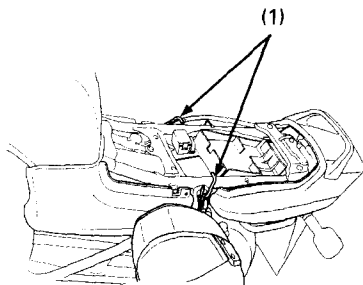
(A) Hineindrücken

(B) Auf LOCK drehen



## HELMHALTER

Die Schutzhelmhalterungen befinden sich unter der Sitzbank. Die Sitzbank ausbauen (Seite 32) und die Schutzhelme in die Haken der Halterung einhängen (1). Danach die Sitzbank wieder anbringen und gut verriegeln.



(1) Halterhaken

## ▲ WARNUNG

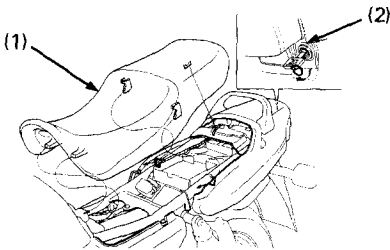
- \* Der Helmhalter dient nur zur sicheren Aufbewahrung des Helms beim Parken. Fahren Sie nicht mit dem Motorrad, wenn ein Helm am Halter befestigt ist; der Helm könnte den sicheren Betrieb gefährden und Verlust der Kontrolle über das Fahrzeug verursachen.

## SITZ

Um die Sitzbank (1) abzunehmen, den Zündschlüssel in das Sitzbankschloß (2) einführen und im Uhrzeigersinn drehen. Die Sitzbank nach hinten und nach oben ziehen. Zum Wiedereinbau den Vorsprung in die Aussparung unter der Rahmenquertraverse einführen, dann den hinteren Teil der Sitzbank nach unten drücken.

### VORSICHT

**\* Nach der Montage sicherstellen, daß der Sitz einwandfrei befestigt ist.**

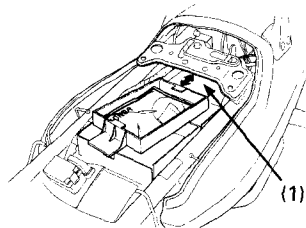


(1) Sitz  
32

(2) Sitzschloß

## DOKUMENTENFACH

Die Kartentasche befindet sich unter der Sitzbank im Ablagefach neben der Werkzeugtasche. Das Ablagefach herausziehen, um die Kartentasche entnehmen zu können. Dieses Fahrer-Handbuch und andere Dokumente sollten im Dokumentenfach aufbewahrt werden. Achten Sie beim Waschen des Motorrads darauf, daß dieser Bereich nicht mit Wasser überflutet wird.

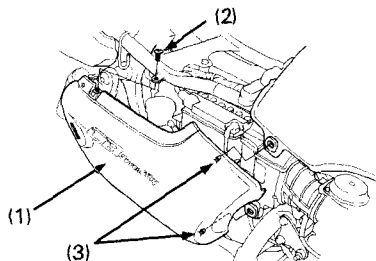


(1) Dokumentenfach

## SEITENDECKEL

Um Wartungsarbeiten an Batterie und Luftfiltereinsatz vornehmen zu können, muß die Seitenverkleidung (1) abgenommen werden. Zum Abnehmen der Seitenverkleidung:

1. Den Sitz entfernen.
2. Die Schraube (2) losdrehen.
3. Die Haltetaschen (3) aus den Gummiöffnungen herausziehen und dann die Seitenverkleidung (1) abnehmen.



- (1) Seitenabdeckung  
(2) Schrauben  
(3) Haltetaschen

## ZUR BEACHTUNG:

- \* Nicht an der Seitenverkleidung anziehen, wenn die Schraube (2) festgezogen ist.

## BEDIENUNG

### ÜBERPRÜFUNG VOR DEM FAHREN

#### **▲ WARNUNG**

\* Eine Mißachtung der "Überprüfung vor dem Fahren" kann zu schwerer Körperverletzung oder Beschädigung des Fahrzeugs führen.

Überprüfen Sie Ihr Motorrad jeden Tag vor dem Fahren. Die hier aufgelisteten Überprüfungen nehmen nur wenig Zeit in Anspruch und helfen auf längere Sicht, Zeit und Kosten zu sparen und Leib und Leben zu schützen.

1. Motorölstand—Ölstand kontrollieren und gegebenenfalls Öl nachfüllen (Seite 23). Motor auf Undichtigkeit überprüfen.
2. Kraftstoffstand—rechtzeitig auftanken (Seite 19). Kraftstoffsystem auf Undichtigkeit überprüfen.
3. Vorder- und Hinterradbremse — Bremswirkung überprüfen; sicherstellen, daß keine Bremsflüssigkeit ausläuft (Seite 13–16).

4. Reifen—Reifenzustand und Fülldruck überprüfen (Seite 24).
5. Antriebskette — Zustand und Durchhang überprüfen (Seite 60). Gegebenenfalls einstellen und schmieren.
6. Gasdrehgriff—auf leichtes Öffnen und Schließen in allen Lenkerstellungen überprüfen.
7. Beleuchtung und Signalhorn—prüfen, ob Scheinwerfer, Schluß-/Bremslicht, Blinker, Anzeigeleuchten und Signalhorn einwandfrei funktionieren.
8. Motorabstellschalter—auf einwandfreies Funktionieren überprüfen (Seite 28).
9. Seitenständer-Zündstromunterbrechung — auf einwandfreies Funktionieren überprüfen (Seite 66).

Beheben Sie sämtliche Mängel, bevor Sie losfahren. Wenden Sie sich an Ihren HONDA-Vertragshändler, wenn Sie ein Problem nicht lösen können.

## **ANLASSEN DES MOTORS**

Dieses Motorrad ist mit einer Seitenständer-Zündstromunterbrechung ausgerüstet.

Bei ausgeklapptem Seitenständer kann der Motor nur angelassen werden, wenn das Getriebe in den Leerlauf geschaltet ist. Bei eingeklapptem Seitenständer kann der Motor auch im Leerlauf oder bei eingelegtem Gang angelassen werden, wenn gleichzeitig die Kupplung ausgerückt wird. Nach Anlassen des Motors bei ausgeklapptem Seitenständer stirbt der Motor ab, wenn ein Gang eingelegt wird.

### **▲ WARNUNG**

- \* Lassen Sie den Motor niemals in einem geschlossenen Raum laufen. Die Abgase enthalten giftiges Kohlenmonoxid, das Bewußtlosigkeit verursachen und zum Tod führen kann.

### **ZUR BEACHTUNG:**

- \* Betätigen Sie den elektrischen Anlasser nicht länger als jeweils 5 Sekunden. Warten Sie mindestens 10 Sekunden, ehe Sie einen erneuten Startversuch unternehmen.

Vor dem Anlassen den Zündschlüssel einstecken, auf ON drehen und folgende Kontrollen durchführen:

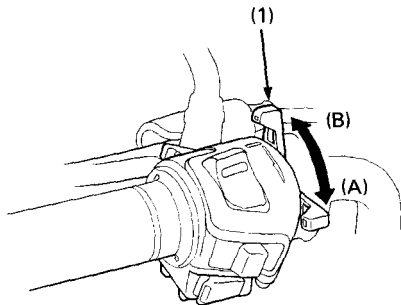
- Das Getriebe ist auf Leerlauf (NEUTRAL) geschaltet (Leerlaufanzeige leuchtet).
- Der Motorabstellschalter steht auf "RUN".
- Die rote Anzeigelampe für niedrigen Öldruck ist an.
- Der Kraftstoffhahn ist aufgedreht (auf ON).

### Startverfahren

1. Wenn der Motor kalt ist, den Chokehebel (1) bis zum Anschlag zurückziehen (A).
2. Den Anlasserknopf drücken.

#### ZUR BEACHTUNG:

- \* Wenn der Motor nicht innerhalb von 5 Sekunden anspringt, den Anlasserknopf loslassen, 10 Sekunden warten, und erneut probieren.



(1) Chokehebel

(A) ON- Position

(B) OFF- Position

3. Den Motor bei ganz auf OFF stehendem Choke warmlaufen lassen, bis er gleichmäßig läuft.

### VORSICHT

- \* Die rote Anzeigelampe für niedrigen Öldruck muß wenige Sekunden nach dem Anspringen des Motors erlöschen. Falls sie erleuchtet bleibt, sofort den Motor abstellen und den Motorölstand kontrollieren. Der Betrieb des Motors mit unzureichendem Öldruck kann schwerwiegende Motorschäden zur Folge haben.

### **Motor überflutet**

Wenn der Motor auch nach wiederholten Anlaßversuchen nicht anspringt, kann er mit Kraftstoff überflutet sein. Um einen überfluteten Motor wieder zum Laufen zu bringen, den Motorabstellschalter auf RUN gestellt lassen und den Chokehebel ganz nach vorne zur Position OFF (B) schieben. Vollgas geben und den Motor 5 Sekunden lang durchkurbeln. Wenn der Motor anspringt, den Gasdrehgriff schnell zudrehen, und bei instabilem Leerlauf wieder leicht aufdrehen. Wenn der Motor nicht anspringt, 10 Sekunden warten, dann das Anlaßverfahren für durchführen.

## EINFAHREN

Während der Einfahrzeit unterliegen die noch nicht eingelaufenen Gleitflächen einem erhöhten Verschleiß. Die erste Inspektion nach 1.000 km dient unter anderem Zweck, diesen anfänglichen Verschleiß durch Einstellarbeiten auszugleichen. Rechtzeitige Ausführung der ersten Inspektion gewährleistet optimale Leistung und Lebensdauer des Motors.

Folgende allgemeine Regeln sind zu beachten:

1. Den Motor niemals bei niedrigen Drehzahlen mit Vollgas betreiben. Diese Regel gilt nicht nur während der Einfahrzeit, sondern immer.
2. Während der ersten 1.000 km darf die maximale Dauerdrehzahl von  $5.000 \text{ min}^{-1}$  (U/min) nicht überschritten werden.
3. Bei einem Kilometerstand von 1.000 bis 1.600 km ist die maximale Dauerdrehzahl um  $2.000 \text{ min}^{-1}$  (U/min) zu erhöhen. Lebhaft fahren, die Drehzahl häufig variieren, und Vollgas nur für kurze Sprints benutzen. Die maximale Drehzahl von  $7.000 \text{ min}^{-1}$  (U/min) nicht überschreiten.

4. Ab einem Kilometerstand von 1.600 km kann das Motorrad mit Vollgas gefahren werden. Die maximale Drehzahl von  $8.600 \text{ min}^{-1}$  (U/min) (roter Bereich des Drehzahlmessers) darf jedoch auf keinen Fall überschritten werden.

## VORSICHT

- \* **Den Motor nicht mit einer höheren als der empfohlenen Maximaldrehzahl laufenlassen (roter Bereich des Drehzahlmessers), da dies einen Motorschaden verursachen kann.**



## FAHREN

### ▲ WARNUNG

\* Lesen Sie den Abschnitt "Motorrad-Sicherheit" (Seite 1 – 5) noch einmal durch, bevor Sie losfahren.

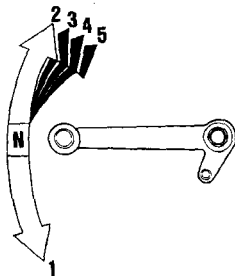
#### ZUR BEACHTUNG:

\* Sichergehen, daß der Seitenständermechanismus einwandfrei funktioniert. (Siehe dazu WARTUNGSPLAN auf Seite und 45 Angaben zum SEITENSTÄNDER auf Seite 66).

1. Nachdem der Motor warmgelaufen ist, ist das Motorrad fahrbereit.
2. Bei Leerlaufdrehzahl den Kupplungshebel anziehen und den Fußschalthebel nach unten drücken, um den 1. Gang einzulegen.
3. Den Kupplungshebel langsam loslassen, während gleichzeitig die Drehzahl durch Aufdrehen des Gasdrehgriffs allmählich erhöht wird. Eine gefühlvolle Koordinierung dieser beiden Vorgänge gewährleistet weiches Anfahren.
4. Wenn das Motorrad eine ausreichende Fahrgeschwindigkeit erreicht, den Gasdrehgriff zudrehen, gleichzeitig den Kupplungshebel anziehen und durch Anheben des Fußschalthebels in den 2. Gang schalten.

Dieser Vorgang wird wiederholt, um nacheinander in den 3., 4. und 5. Gang zu schalten.

5. Um eine weiche Verzögerung zu erzielen, sind Gasdrehgriff- und Bremsbetätigung zu koordinieren.
6. Vorder- und Hinterradbremse sind gleichzeitig zu betätigen, doch nicht so stark, daß die Räder blockieren, denn dadurch würde die Bremswirkung beträchtlich reduziert und die Kontrolle über das Motorrad könnte schwierig werden.



## **▲ WARNUNG**

- \* Schalten Sie nicht herunter, wenn Sie mit einer Geschwindigkeit fahren, bei welcher der Motor im nächsttieferen Gang zum Überdrehen gebracht werden würde; durch den plötzlichen Ruck könnte das Hinterrad die Bodenhaftung verlieren, was möglicherweise zum Verlust der Kontrolle über das Fahrzeug führen kann.

## **VORSICHT**

- \* Wechseln Sie die Gänge nicht, ohne die Kupplung zu ziehen und den Gasdrehgriff zuzudrehen. Andernfalls können Motor und Getriebe durch Überdrehen und Stoßbelastung beschädigt werden.
- \* Das Motorrad sollte nicht bei abgestelltem Motor über längere Strecken abgeschleppt werden oder bergab rollen, weil dann das Getriebe nicht ausreichend geschmiert wird, was zu Beschädigungen führen kann.

## **VORSICHT**

- \* Nicht über Bordsteinkanten fahren oder die Räder an Hindernissen entlangschleifen lassen, weil dadurch die Räder beschädigt werden können.

### **ZUR BEACHTUNG:**

- \* Die Batterie wird im Leerlaufdrehzahlbereich nicht geladen, daher den Motor nicht längere Zeit im Leerlauf betreiben.

## BREMSEN

1. Für normales Abbremsen sind beide Bremsen leicht zu betätigen, während gleichzeitig die Gänge durch Herunterschalten der jeweiligen Fahrgeschwindigkeit angepaßt werden.
2. Für maximales Abbremsen den Gasdrehgriff zudrehen und beide Bremsen forsch betätigen. Ziehen Sie den Kupplungshebel an, bevor das Motorrad zum Stillstand kommt, um ein Abwürgen zu vermeiden.

### **▲ WARNUNG**

- \* Der unabhängige Einsatz nur der Vorder- oder der Hinterradbremse reduziert die Bremswirkung. Zu starkes Anziehen einer Bremse verursacht Blockieren des betreffenden Rades, was zum Verlust der Kontrolle über das Motorrad führen kann.
- \* Setzen Sie die Geschwindigkeit herab oder bremsen Sie möglichst, bevor Sie eine Kurve durchfahren; Gaswegnehmen oder Bremsen in einer Kurve kann die Räder zum Wegrutschen bringen, was zum Verlust der Kontrolle über das Motorrad führen kann.

### **▲ WARNUNG**

- \* Beim Fahren unter nassen oder regnerischen Bedingungen oder auf lockerem Untergrund sind Manövrierfähigkeit und Bremsmöglichkeit herabgesetzt. Unter solchen Bedingungen sind plötzliche, hastige Reaktionen zu vermeiden. Plötzliches Beschleunigen, Bremsen oder Ändern der Fahrtrichtung kann zum Verlust der Kontrolle führen. Lassen Sie daher um der Sicherheit willen beim Bremsen, Beschleunigen oder Abbiegen äußerste Vorsicht walten.
- \* Benutzen Sie an langen, steilen Gefällestrrecken die Motorbremswirkung durch Herunterschalten, wobei auch beide Bremsen in Abständen unterstützend einzusetzen sind. Durch ständiges Betätigen laufen die Bremsen heiß, wodurch ihr Wirkungsgrad herabgesetzt wird.
- \* Lassen Sie während der Fahrt nicht ständig Ihren Fuß auf dem Bremspedal oder Ihre Hand auf dem Bremshebel ruhen. Dies verursacht übermäßigen Bremsverschleiß, und es kann zu Beschädigung oder Ausfall der Bremsen durch Heißlaufen kommen. Außerdem kann Ihr Bremslicht andere Verkehrsteilnehmer verwirren.

## **PARKEN**

1. Nachdem das Motorrad zum Stillstand gekommen ist, das Getriebe in den Leerlauf schalten, den Kraftstoffhahn auf OFF drehen, den Lenker ganz nach links einschlagen, dann den Zündschlüssel auf OFF drehen und abziehen.
2. Benutzen Sie beim Parken den Seitenständer oder den Mittelständer zum Abstützen des Motorrads.

## **VORSICHT**

- \* Stellen Sie das Motorrad auf festem, ebenem Boden ab, damit es nicht umkippen kann.
  - \* Falls Sie auf leicht abschüssigem Untergrund parken müssen, richten Sie die Frontpartie des Motorrads bergwärts, damit das Motorrad nicht vom Seitenständer abrollen oder umkippen kann.
3. Schließen Sie die Lenkung ab, um Diebstahl vorzubeugen (Seite 30).

## **HINWEISE ZUR DIEBSTAHLVERHÜTUNG**

1. Schließen Sie stets die Lenkung ab, und lassen Sie nie den Zündschlüssel stecken. Dies klingt banal, aber man ist leicht vergeßlich.
2. Vergewissern Sie sich, daß alle Zulassungspapiere für Ihr Motorrad vollständig und auf dem neuesten Stand sind.
3. Stellen Sie Ihr Motorrad möglichst in einer verschließbaren Garage unter.
4. Benutzen Sie eine zusätzliche gute Diebstahlsicherung.
5. Tragen Sie Ihren Namen, Anschrift und Telefonnummer in diese Betriebsanleitung ein, und bewahren Sie sie ständig in Ihrem Motorrad auf.

Es kommt oft vor, daß ein gestohlenen Motorrad anhand der Eintragungen in der Betriebsanleitung, die sich noch beim Motorrad befindet, identifiziert werden kann.

NAME: \_\_\_\_\_

ANSCHRIFT: \_\_\_\_\_

\_\_\_\_\_

TELEFON: \_\_\_\_\_

## WARTUNG

- Der regelmäßige Wartungsplan schreibt vor, wie oft Ihr Motorrad gewartet werden sollte, und worauf zu achten ist. Plangemäße Wartung Ihres Motorrads ist für hohe Betriebssicherheit, Zuverlässigkeit und Funktionstüchtigkeit der Auspuffreinigungsanlage von ausschlaggebender Bedeutung.
- Die nachfolgenden Anweisungen beruhen auf der Annahme, daß das Motorrad ausschließlich für seinen ursprünglich vorgesehenen Zweck eingesetzt wird. Wird das Motorrad mit anhaltend hoher Drehzahl oder unter ungewöhnlich nassen oder staubigen Bedingungen betrieben, so muß es häufiger gewartet werden, als im WARTUNGSPLAN angegeben ist. Lassen Sie sich von Ihrem HONDA-Vertragshändler beraten, welche Maßnahmen speziell für Ihre Bedürfnisse und Anforderungen angebracht sind.

## WARTUNGSPLAN

Der folgende Wartungsplan enthält alle Wartungsarbeiten, die erforderlich sind, um Ihr Motorrad in optimalem Betriebszustand zu halten. Wartungsarbeiten sind gemäß von Honda aufgestellten Normen und technischen Daten von richtig ausgebildeten und ausgerüsteten Mechanikern auszuführen. Ihr Honda-Händler erfüllt all diese Anforderungen.

Die Überprüfung vor dem Fahren (Seite 34) zu jedem Wartungszeitpunkt durchführen.

I: INSPIZIEREN UND REINIGEN, EINSTELLEN, SCHMIEREN ODER AUSWECHSELN, FALLS ERFORDERLICH.

C: REINIGEN R: AUSWECHSELN A: EINSTELLEN L: SCHMIEREN

GEGENSTAND		HÄUFIGKEIT	WELCHES ZUERST EINTRITT ↓ ANMERKUNGEN	KILOMETERSTAND (ANMERKUNG (1))								Bezugsseite
				x 1.000 km	1	6	12	18	24	30	36	
		x 1.000 mi	0,6	4	8	12	16	20	24			
		MONATE		6	12	18	24	30	36			
*	KRAFTSTOFFSCHLÄUCHE				I			I		I	—	
*	KRAFTSTOFFFILTERSIEB				C	C	C	C	C	C	—	
*	GASDREHGRIFFBETÄTIGUNG				I			I		I	57	
*	CHOKE				I			I		I	—	
	LUFTFILTER		ANMERKUNGEN(2)				R			R	59	
	KURBELGEHÄUSEENTLÜFTUNG		ANMERKUNGEN(3)			C	C	C	C	C	54	
	ZÜNDKERZEN				I	R	I	R	I	R	55	
	MOTORÖL				R	R	R	R	R	R	51	
	MOTORÖLFILTER				R		R		R	R	52	
*	VERGASER-SYNCHRONISIERUNG						I		I	I	—	
*	LEERLAUFDREHZAHL				I	I	I	I	I	I	58	
*	ZWEITES LUFTMENGENSYSTEM		ANMERKUNGEN(4)				I		I	I	—	

GEGENSTAND	HÄUFIGKEIT	WELCHES ZUERST EINTRITT ↓ ANMERKUNGEN	KILOMETERSTAND (ANMERKUNG (1))								Bezugsseite	
			→									
			x 1.000 km	1	6	12	18	24	30	36		
			x 1.000 mi	0,6	4	8	12	16	20	24		
		MONATA	6	12	18	24	30	36				
	ANTRIEBSKETTE		I, L, ALLE 1.000 km								60	
	ANTRIEBSKETTENGLEITSTÜCK				I			I		I	65	
	BATTERIE			I	I	I	I	I	I	I	76	
	BREMSFLÜSSIGKEIT	ANMERKUNGEN(5)		I	I	R	I	I	R		13	
	BREMSBELAGVERSCHLEISS			I	I	I	I	I	I	I	74	
	BREMSSYSTEM			I		I		I		I	13,74	
*	BREMSLICHTSCHALTER				I			I		I	—	
*	SCHEINWERFEREINSTELLUNG				I			I		I	—	
	KUPPLUNGSSYSTEM			I	I	I	I	I	I	I	17	
	SEITENSTÄNDER				I			I		I	66	
*	RADAUFHÄNGUNG				I			I		I	—	
*	MÜTTERN, SCHRAUBEN, BEFESTIGUNGSTEILE			I		I		I		I	—	
**	RÄDER/REIFEN				I			I		I	—	
**	STEUERKOPFLAGER			I		I		I		I	—	

- \* SOLLTE VON EINEM HONDA-VERTRAGSHÄNDLER GEWARTET WERDEN, AUSSER WENN DER BESITZER ÜBER DIE GEEIGNETEN WERKZEUGE UND WARTUNGSDATEN VERFÜGT UND HANDWERKLICH QUALIFIZIERT IST. IM OFFIZIELLEN HONDA-WERKSTATT-HANDBUCH NACHSCHLAGEN.
- \* \* IM INTERESSE IHRER SICHERHEIT EMPFEHLEN WIR, DIESE ARBEITEN NUR VON EINEM HONDA-VERTRAGSHÄNDLER AUSFÜHREN ZU LASSEN.

*Honda empfiehlt, daß Ihr Motorrad nach jedem planmäßigen Kundendienst von Ihrem Händler probegefahren wird.*

- ANMERKUNGEN:
- (1) Bei höherem Kilometerstand in den hier angegebenen Abständen wiederholen.
  - (2) Häufiger warten, wenn in ungewöhnlich nassen oder staubigen Gebieten gefahren wird.
  - (3) Häufiger warten, wenn bei Regen oder mit Vollgas gefahren wird.
  - (4) Nur an Modellen für die Schweiz und Österreich.
  - (5) *Alle 2 Jahre oder in den angegebenen, Kilometerabständen auswechseln, je nachdem, was zuerst eintritt. Das Auswechseln erfordert handwerkliches Können.*

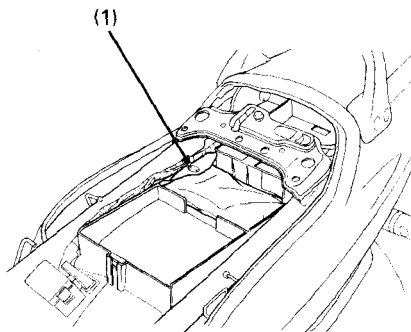


## WERKZEUGSATZ

Die Werkzeugtasche (1) befindet sich im Werkzeugkasten unter der Sitzbank.

Kleinere Reparaturen, Einstell- und Auswechselarbeiten können mit den in diesem Satz enthaltenen Werkzeugen durchgeführt werden.

- 10 x 12-mm-Maulschlüssel
- 14 x 17-mm-Maulschlüssel
- Sicherungsabzeiger
- Kreuzschlitzschraubendreher Nr. 2
- Schraubendrehergriff
- Schraubendreher Nr. 2
- 12-mm-Sechskantsteckschlüssel
- 24-mm-Sechskantsteckschlüssel
- Hakenschlüssel
- 8-mm-Maulschlüssel
- Zündkerzenschlüssel
- Fühlerlehre
- Werkzeugtasche



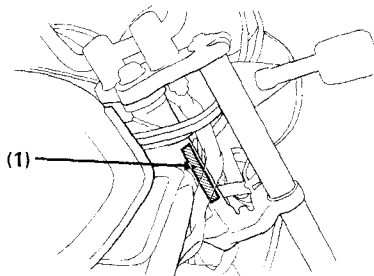
(1) Werkzeugsatz

## SERIENNUMMERN

Rahmen- und Motorseriennummer werden bei der Zulassung Ihres Motorrads benötigt. Sie werden u.U. auch von Ihrem HONDA-Vertragshändler benötigt, um Ersatzteile zu bestellen.

Tragen Sie die Nummern hier für spätere Bezugnahme ein.

RAHMEN-NR. \_\_\_\_\_



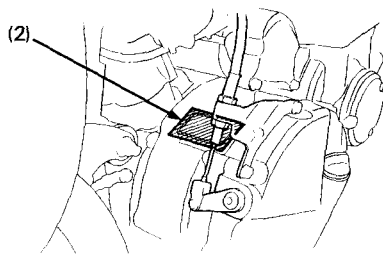
(1) Rahmennummer

48

Die Rahmennummer (1) ist rechts in das Steuerkopfrohr eingestanzt.

Die Motornummer (2) ist auf der rechten Seite des Kurbelgehäuses eingestanzt.

MOTOR-NR. \_\_\_\_\_



(2) Motornummer

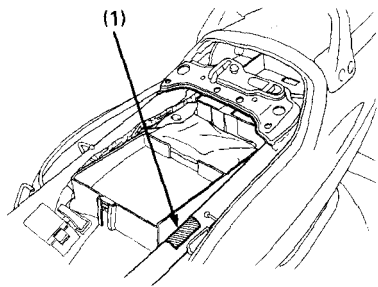
## FARBPLAKETTE

Das Farbetikett (1) ist unter der Sitzbank am linken Rahmenholm befestigt.

Sie wird bei der Bestellung von Ersatzteilen benötigt. Tragen Sie Farbe und Code hier für spätere Bezugnahme ein.

FARBE \_\_\_\_\_

CODE \_\_\_\_\_



(1) Farbplakette

## WARTUNGSHINWEISE

### **A WARNUNG**

- \* Falls Ihr Motorrad umgekippt ist oder in einen Unfall verwickelt war, überprüfen Sie Bedienungshebel, Seilzüge, Bremsschläuche, Bremssattel, Zubehörteile und andere wichtige Teile auf Beschädigung. Fahren Sie nicht mit dem Motorrad, wenn der sichere Betrieb durch beschädigte Teile gefährdet ist. Lassen Sie wichtige Teile wie Rahmen, Federung und Lenkung von Ihrem HONDA-Vertragshändler auf Verzug und Beschädigung überprüfen, die Sie selbst nicht festzustellen vermögen.
- \* Benutzen sie für die Wartung und Reparatur nur Original-HONDA-Ersatzteile oder deren Entsprechungen. Teile, die nicht die gleiche Qualität aufweisen, können die Sicherheit Ihres Motorrads beeinträchtigen.
- \* Stellen Sie den Motor ab, und stellen Sie das Motorrad auf ebenem Untergrund sicher auf, bevor Sie mit irgendwelchen Wartungsarbeiten beginnen.

## MOTORÖL

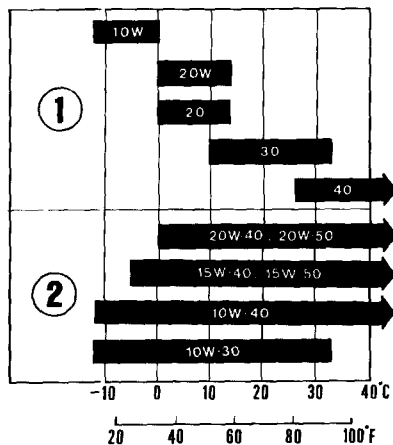
(Lesen Sie die Wartungshinweise auf Seite 50 durch.)

### Motoröl

Gutes Motoröl hat viele erwünschte Qualitäten. Verwenden Sie nur hochlösliches Marken-Motoröl, das laut Angaben auf dem Behälter die Qualitätsanforderungen der API-Klassen SE, SF oder SG erfüllt oder übertrifft.

### Viskosität:

Der Viskositätsgrad des Motoröls sollte auf der durchschnittlichen Lufttemperatur in Ihrem Fahrgelände basieren. Die nebenstehende Tabelle soll Ihnen bei der Wahl der richtigen Gradierung oder Viskosität des Öls für verschiedene Lufttemperaturen behilflich sein.



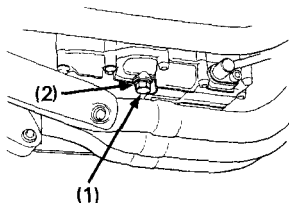
(1) Einbereich

(2) Mehrbereich

### Motoröl und Ölfilter

Die Qualität des Motoröls ist der Hauptfaktor für die Betriebsdauer des Motors. Das Motoröl muß gemäß dem vorgegebenen Wartungsplan gewechselt werden (Seite 44).

Das Auswechseln des Ölfilters erfordert ein spezielles Ölfilter-Aus/Einbauwerkzeug sowie einen Drehmomentschlüssel. Wenn Sie nicht die erforderlichen Werkzeuge bzw. die technische Geschicklichkeit besitzen, lassen Sie diese Arbeit durch Ihren autorisierten Honda-Händler ausführen. Wenn beim Einbau des Ölfilters kein Drehmomentschlüssel verwendet wurde, suchen Sie bitte sobald wie möglich Ihren Honda-Händler auf, um die Anzugswerte nachprüfen zu lassen.



(1) Ölablaßschraube

(2) Dichtungsscheibe

### ZUR BEACHTUNG:

- \* Zum Wechseln des Motoröls muß der Motor Betriebstemperatur haben und das Motorrad auf dem Seitenständer stehen, um vollständiges und schnelles Abfließen des Öls zu gewährleisten.

### VORSICHT

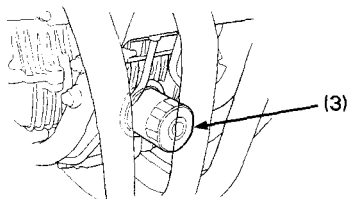
- \* Um Ölauslaufen und Beschädigung des Ölfilters zu vermeiden, darf der Motor niemals am Ölfilter abgestützt werden.

1. Zum Ablassen des Öls Öleinfüllverschluß/ Ölmeßstab und Kurbelgehäuse-Ablassschraube (1) herausdrehen und die Dichtungsscheibe (2) entfernen.

### ▲ WARNUNG

- \* Ein warmgelaufener Motor und das darin befindliche Öl sind heiß; seien sie vorsichtig und verbrennen Sie sich nicht.

2. Den Ölfilter (3) mit einem Filterschlüssel entfernen und das Restöl ablassen. Den Ölfilter wegwerfen.
3. Die Gummidichtung (4) des neuen Ölfilters leicht mit Motoröl anfeuchten.  
10 N·m (1,0 kg·m)
4. Für den Einbau des Ölfilters ein Spezialwerkzeug (Ölfilter-Aus/Einbauwerkzeug) sowie einen Drehmomentschlüssel verwenden und auf den folgenden Anzugswert festziehen:  
Einen Original-Honda-Ölfilter oder einen Filtereinsatz gleichwertiger Qualität für dieses Modell verwenden. Bei Verwendung anderer Honda-Filter oder Nicht-Honda-Filter, die nicht von gleichwertiger Qualität sind, kann es zur Beschädigung des Motors kommen.



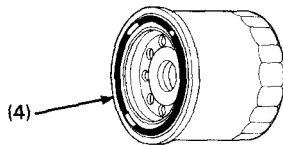
(3) Ölfilter

5. Prüfen, ob die Dichtungsscheibe auf der Ablassschraube in gutem Zustand ist, dann die Ablassschraube installieren. Die Dichtungsscheibe bei jedem Ölwechsel, bzw wenn erforderlich, ersetzen.

Drehmoment der Ablassschraube:

35 N·m (3,5 kg·m)

6. Das Kurbelgehäuse mit dem empfohlenen Öl füllen. Füllmenge:  
3,0 l
7. Den Öleinfüllverschluß anbringen.
8. Den Motor anlassen und für 2 bis 3 Minuten im Leerlauf laufen lassen.
9. Nach einigen Minuten den Motor abstellen und bei aufrecht stehendem Motorrad überprüfen, daß der Ölstand bis zur oberen Marke des Ölmeßstabs reicht. Sicherstellen, daß keine Ölundichtigkeiten auftreten.



(4) Ölfilter-Gummidichtung

## ZUR BEACHTUNG:

- \* Wenn das Motorrad unter sehr staubigen Bedingungen betrieben wird, sollte das Öl öfter gewechselt werden, als im Wartungsplan angegeben ist.
- \* Bitte beseitigen Sie Altöl so, daß die Umwelt nicht geschädigt wird. Am besten bringen Sie es zwecks Rückgewinnung in einem verschlossenen Behälter zur nächsten Kundendienststelle oder zu einer Abfallverwertungsstelle. Altöl sollte weder zum Müll gegeben, noch achtlos weggeschüttet werden, auch nicht in einen Abguß.

## VORSICHT

- \* Altöl kann Hautkrebs verursachen, falls es wiederholt über längere Zeit mit der Haut in Berührung kommt. Wenn Sie nicht täglich mit Altöl zu tun haben, ist eine Erkrankung allerdings ziemlich unwahrscheinlich. Trotzdem ist es ratsam, nach dem Umgang mit Altöl möglichst bald die Hände mit Wasser und Seife gründlich zu waschen.

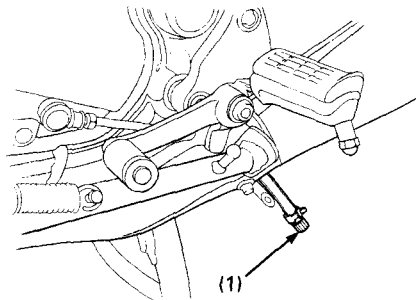
## KURBELGEHÄUSE-ENTLÜFTUNG

(Lesen Sie die Wartungshinweise auf Seite 50 durch.)

1. Den Kurbelgehäuse-Entlüftungsschlauchstopfen (1) vom Schlauch entfernen und Ablagerungen in einen geeigneten Behälter ablassen.
2. Anschließend den Kurbelgehäuse-Entlüftungsschlauchstopfen wieder anbringen.

## ZUR BEACHTUNG:

- \* Nach Fahrten im Regen oder mit Vollgas häufiger warten.



(1) Kurbelgehäuse-Entlüftungsschlauchstopfen



## ZÜNDKERZEN

(Lesen Sie die Wartungshinweise auf Seite 50 durch.)

Empfohlene Zündkerzen:

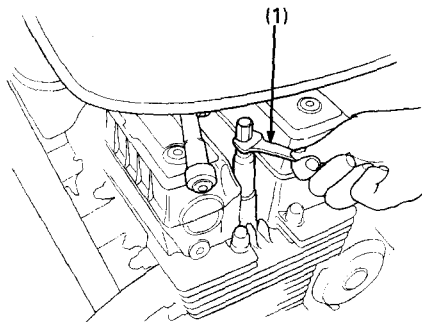
Standard:

DPR8EA—9 (NGK) oder  
X24EPR—U9 (NIPPONDENSO)

Für längeren Vollastbetrieb:

DPR9EA—9 (NGK) oder  
X27EPR—U9 (NIPPONDENSO)

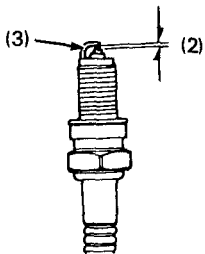
1. Die Kerzenstecker von den Zündkerzen abziehen.
2. Den Bereich um die Zündkerzenbasis von etwaigem Schmutz säubern. Die Zündkerzen mit Hilfe des im Werkzeugsatz enthaltenen Zündkerzenschlüssels (2) herausschrauben.



(1) Zündkerzenschlüssel

3. Die Elektroden und den Isolatorfuß auf Verbrennungsrückstände, Abbrand oder Verrußen untersuchen. Bei starkem Abbrand oder Ablagerungen ist die Zündkerze auszuwechseln. Eine verrußte oder nasse Zündkerze kann mit einem Zündkerzenreiniger oder einer Drahtbürste gereinigt werden.
4. Den Elektrodenabstand (2) mit Hilfe einer Fühlerlehre überprüfen. Gegebenenfalls ist der Elektrodenabstand durch vorsichtiges Biegen der Masseelektrode (3) zu korrigieren.

Elektrodenabstand:  
0,8–0,9 mm



(2) Elektrodenabstand      (3) Masseelektrode

5. Die Zündkerze mit aufgesetztem Dichtring von Hand einschrauben, um eine Gewindebeschädigung zu vermeiden.
6. Die Zündkerze mit dem Zündkerzenschlüssel um eine halbe Umdrehung anziehen, um den Abdichtring zusammenzudrücken.
7. Die Kerzenstecker wieder anbringen.

### VORSICHT

- \* Die Zündkerze muß fest angezogen werden. Eine schlecht angezogene Zündkerze kann sehr heiß werden und möglicherweise den Motor beschädigen.
- \* Verwenden Sie niemals eine Zündkerze mit falschem Wärmewert. Es könnte sonst zu schwerwiegender Beschädigung des Motors kommen.

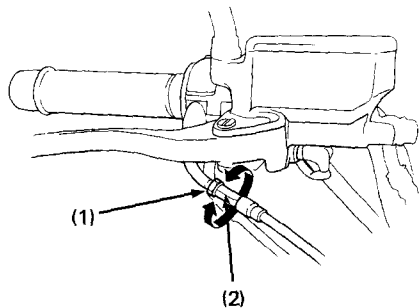
## GASDREHGRIFFBETÄTIGUNG

(Lesen Sie die Wartungshinweise auf Seite 50 durch.)

1. Prüfen, ob sich der Gasdrehgriff in allen Lenkerstellungen leicht über den gesamten Drehbereich auf- und zudrehen läßt.
2. Das Gasdrehgriffspiel am Gasdrehgriffflansch messen.

Das normale Spiel sollte betragen ca.:  
2,0—6,0 mm

Zum Einstellen des Spiels die Gegenmutter (1)  
lösen und den Einsteller (2) drehen.



(1) Gegenmutter

(2) Einsteller

## LEERLAUFDREHZAHL

(Lesen Sie die Wartungshinweise auf Seite 50 durch.)

Für eine genaue Leerlaufeinstellung muß der Motor normale Betriebstemperatur haben. Zehnmütiges Fahren mit wiederholtem Abbremsen und Beschleunigen ist dazu ausreichend.

### ZUR BEACHTUNG:

\* Nicht Fehler in anderen Systemen durch Einstellen der Leerlaufdrehzahl auszugleichen versuchen. Lassen Sie die regelmäßigen Vergasereinstellungen gemäß Wartungsplan einschließlich individueller Vergasereinstellung und-synchronisation von Ihrem autorisierten Honda durchführen.

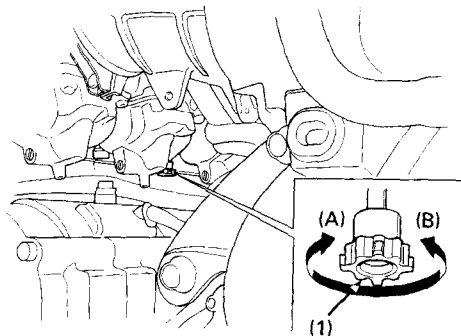
1. Den Motor warmlaufen lassen, das Getriebe auf Leerlauf schalten und das Motorrad auf olem Mittelständer auf bocken.

2. Die Leerlaufdrehzahl mit Hilfe der Leerlaufbegrenzungsschraube ( 1 ) einstellen.

Leerlaufdrehzahl (im Leerlauf):

$1.200 \pm 100 \text{ min}^{-1} \text{ (U/min)}$

$1.200 \pm 50 \text{ min}^{-1} \text{ (U/min) } < \text{SW-Typ} >$



(1) Leerlaufbegrenzungsschraube

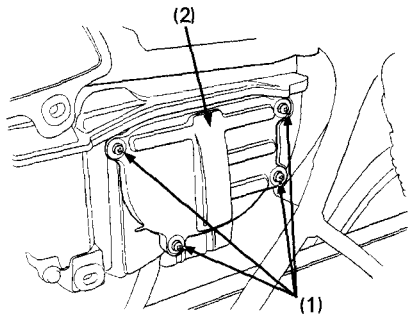
(A) Erhöhen  
(B) Vermindern

## LUFTFILTER

(Lesen Sie die Wartungshinweise auf Seite 50 durch.)

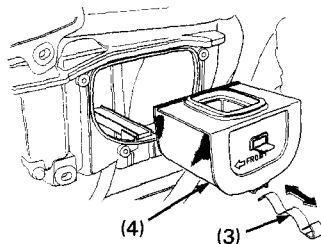
Der Luftfilter ist in regelmäßigen Abständen zu warten (Seite 44). Häufigere Wartung kann erforderlich sein, wenn in ungewöhnlich nasser oder staubiger Umgebung gefahren wird.

1. Die linke Seitenverkleidung abnehmen.
2. Die Befestigungsschrauben (1) und den Luftfilterdeckel (2) entfernen.



(1) Befestigungsschrauben (2) Luftfilterdeckel

3. Die Haltefeder (3) herausziehen.
4. Den Luftfilter (4) herausnehmen und wegwerfen.
5. Einen neuen Luftfilter einbauen.  
Einen Original-Honda-Luftfilter oder einen Filtereinsatz gleichwertiger Qualität für dieses Modell verwenden.  
Bei Verwendung anderer Honda-Filter oder Nicht-Honda-Filter, die nicht von gleichwertiger Qualität sind, kann es zu vorzeitigem Motorverschleiß oder zu Leistungsproblemen kommen.
6. Die abgebauten Teile in umgekehrter Abbaureihenfolge anbauen.



(3) Haltefeder (4) Luftfilter

## ANTRIEBSKETTE

(Lesen Sie die Wartungshinweise auf Seite 50 durch.)

Die Lebensdauer der Antriebskette hängt von richtiger Schmierung und Einstellung ab. Nachlässigkeit in diesen Punkten kann vorzeitigen Verschleiß oder Beschädigung der Antriebskette und der Kettenräder verursachen. Die Antriebskette ist als Teil der Überprüfung vor der Fahrt (Seite 34) zu kontrollieren und zu schmieren. Wenn das Motorrad stark beansprucht oder in ungewöhnlich staubiger bzw. schlammiger Umgebung gefahren wird, muß die Kette häufiger gewartet werden.

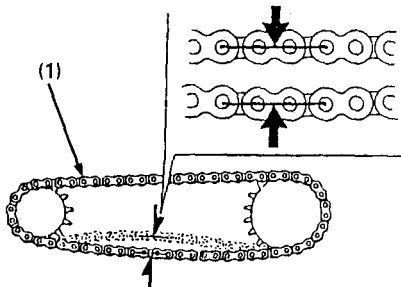
### Inspektion:

1. Den Motor abstellen, das Motorrad auf seinen Seitenständer stellen und das Getriebe auf Leerlauf schalten.
2. Den Kettendurchhang am unteren Abschnitt in der Mitte zwischen den Kettenrädern prüfen.

Die Kette sollte soviel Durchhang haben, daß sie mit der Hand auf- und abbewegt werden kann, etwa:

30—40 mm

3. Das Hinterrad zu drehen und dabei den Kettendurchhang zu prüfen. Der Kettendurchhang muß während der Drehung des Rades konstant bleiben. Falls ein Abschnitt der Kette stramm und ein anderer schlaff ist, sind einige Glieder angewinkelt und klemmen. Klemmen kann häufig durch Schmieren behoben werden.



(1) Antriebskette

4. Das Hinterrad langsam drehen, und die Kette sowie die Kettenräder auf folgende Mängel überprüfen:

#### ANTRIEBSKETTE

- \*Beschädigte Rollen
- \*Lose Rollenstifte
- \*Trockene oder verrostete Glieder
- \*Geknickte oder klemmende Glieder
- \*Übermäßiger Verschleiß
- \*Falsche Einstellung
- \*Fehlende O-Ringe

#### KETTENRÄDER

- \*Übermäßig verschlissene Zähne
- \*Abgebrochene oder beschädigte Zähne

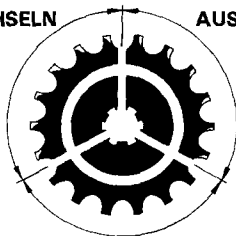
Eine Kette mit beschädigten Rollen, lockeren Stiften oder fehlenden O-Ringen muß erneuert werden. Eine Kette, die trockengelautet ist oder Anzeichen von Rost aufweist, benötigt zusätzliche Schmierung. Abgeknickte oder klemmende Glieder müssen gründlich geschmiert und beweglich gemacht werden. Wenn klemmende Glieder nicht beweglich gemacht werden können, muß die Kette ausgewechselt werden.

Kettenradzähne  
be beschädigt

Kettenradzähne  
abgenutzt

AUSWECHSELN

AUSWECHSELN

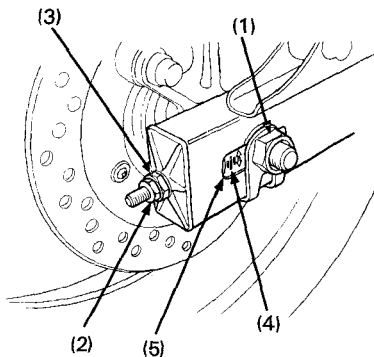


Normale Kettenradzähne

**IN ORDNUNG**

### Einstellung:

Der Kettendurchhang ist alle 1.000 km zu kontrollieren und gegebenenfalls einzustellen. Wenn das Motorrad mit anhaltend hoher Geschwindigkeit gefahren oder oft schnell beschleunigt wird, muß die Kette möglicherweise öfter nachgespannt werden.



- |                    |                     |
|--------------------|---------------------|
| (1) Achsmutter     | (4) Skalen          |
| (2) Gegenmutter    | (5) Hinterkante des |
| (3) Einstellmutter | Einstellschlitzes   |

Falls eine Einstellung der Antriebskette erforderlich ist, folgendermaßen vorgehen:

1. Das Motorrad mit auf Leerlauf geschaltetem Getriebe und ausgeschalteter Zündung auf seinen Mittelständer stellen.
2. Die Achsmutter (1) lösen.
3. Die Gegenmuttern (2) am rechten und linken Schwingarm lösen.
4. Beide Spannermuttern (3) um die gleiche Anzahl von Umdrehungen drehen, bis der korrekte Kettendurchhang erreicht ist. Durch Drehen der Spannermuttern im Uhrzeigersinn wird die Kette gespannt, während sie durch Drehen der Muttern im Gegenuhrzeigersinn gelockert wird. Der Kettendurchhang muß in der Mitte zwischen den beiden Kettenrädern gemessen werden. Dann das Hinterrad drehen und den Durchhang an verschiedenen Kettenabschnitten nachprüfen.

Vorgeschriebener Kettendurchhang:

30—40 mm



5. Um festzustellen, ob die Hinterachse korrekt ausgerichtet ist, überprüft man, ob die gleichen Teilstriche der Skalen (4) auf beiden Seiten mit der Hinterkante (5) der Einstellschlütze zur Deckung kommen.

Die Teilstriche müssen auf beiden Seiten übereinstimmen. Falls die Achse falsch ausgerichtet ist, je nachdem die linke oder rechte Spannermutter drehen, bis auf beiden Seiten die gleichen Teilstriche auf die Hinterkante des Einstellschlützes ausgerichtet sind. Anschließend den Kettendurchhang erneut überprüfen.

6. Die Achsmutter mit dem vorgeschriebenen Anzugsmoment der festziehen.

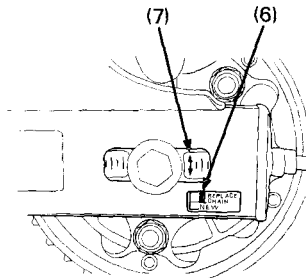
Anzugsmoment der Achsmutter:  
90 N·m (9,0 kg·m)

7. Die Spannermutter leicht anziehen, dann die Gegenmutter anziehen, während die Spannermutter mit einem Schraubenschlüssel blockiert werden.

#### Prüfen des Verschleißausmaßes:

Beim Spannen der Kette ist ihre Längung an der Verschleißplakette festzustellen. Falls der Pfeil (7) auf dem Kettenspanner nach dem Einstellen des Kettendurchhangs die rote Zone (6) auf der Plakette erreicht, ist die Kette übermäßig gelängt und muß ausgewechselt werden. Der korrekte Durchhang beträgt:

30—40 mm



(6) Rote Zone

(7) Pfeilmarke

### Schmieren und Reinigen:

Die Kette ist alle 1.000 km oder öfter zu schmieren, wenn sie ein trockenes Erscheinungsbild zeigt, mindestens aber alle 1.000 km.

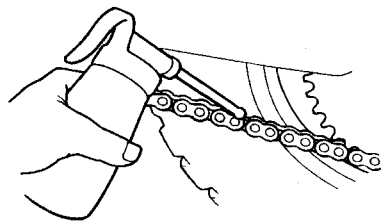
Die O-Ringe der Kette können durch Dampfreiniger, Hochdruckwascher und bestimmte Lösungsmittel zerstört werden. Verwenden Sie zum Reinigen der Kette Lösungsmittel mit hohem Flammpunkt, wie z.B. Paraffin. Anschließend trockenwischen und nur mit Getriebeöl der Viskosität SAE 80 oder 90 schmieren. Handelsübliche Ketenschmiermittel können Lösungsmittel enthalten, welche die Gummi-O-Ringe angreifen.

Austauschkette:

RK525SM4 oder DID525V8

### **VORSICHT**

\* Die Antriebskette dieses Motorrads ist mit kleinen O-Ringen zwischen den Laschen bestückt. Diese O-Ringe halten das Fett in der Kette, um ihre Lebensdauer zu verbessern. Beim Spannen, Schmieren, Reinigen und Auswechseln der Kette müssen jedoch besondere Vorsichtsmaßnahmen getroffen werden.

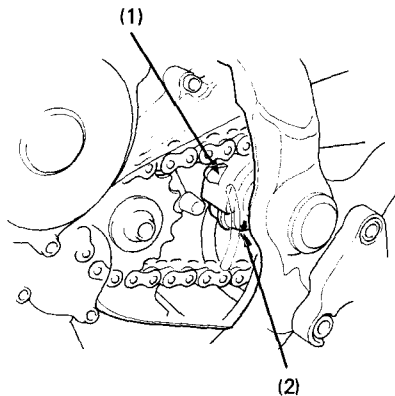


## **ANTRIEBSKETTEN-SCHIEBESTÜCK**

(Lesen Sie die Wartungshinweise auf Seite 50 durch.)

Das Kettengleitstück (1) auf Abnutzung überprüfen.

Das Kettenschiebestück muß ersetzt werden, wenn es bis zur Verschleißgrenzenmarkierung (2) abgenutzt ist. Zum Auswechseln sich an einen autorisierten Honda Händler wenden.



(1) Kettengleitstück

(2) Verschleißgrenzenmarkierung

## SEITENSTÄNDER

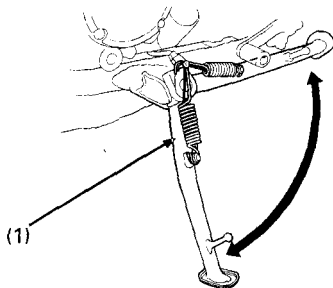
(Lesen Sie die Wartungshinweise auf Seite 50 durch.)

Die folgenden Wartungsarbeiten gemäß dem Wartungsplan ausführen.

### Funktionsprüfung:

- Die Feder (1) auf Beschädigung oder Spannungsverlust und das Seitenständersystem auf Leichtgängigkeit überprüfen.
- Die Zündstromunterbrechung überprüfen:
  1. Setzen Sie sich rittlings auf das Motorrad. Den Seitenständer hochklappen und das Getriebe in den Leerlauf schalten.
  2. Den Motor anlassen und bei angezogenem Kupplungshebel einen Gang einlegen.
  3. Den Seitenständer vollkommen ausklappen. Der Motor muß ausgehen, sobald der Seitenständer ausgeklappt wird.

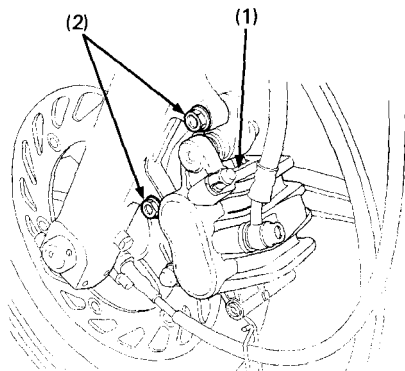
Falls das Seitenständersystem nicht wie beschrieben funktioniert, lassen Sie es von Ihrem Honda-Vertragshändler warten.



(1) Seitenständerfeder

## AUSBAU DER RÄDER

(Lesen Sie die Wartungshinweise auf Seite 50 durch.)



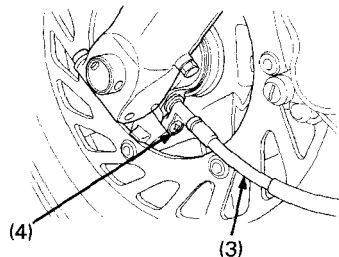
- (1) Bremssattel-Baugruppe
- (2) Halteschrauben

## Ausbau des Vorderrads

1. Das Vorderrad vom Boden abheben und eine Stütze unter den Motor stellen.
2. Den linken Bremssattel (1) vom Gabelrohr abnehmen, indem die Halteschrauben (2) herausgedreht werden.

### VORSICHT

- \* Um Beschädigung des Bremsschlauchs zu vermeiden, den Bremssattel so abstützen, daß er nicht am Bremsschlauch herunterhängt. Den Bremsschlauch nicht verdrehen.

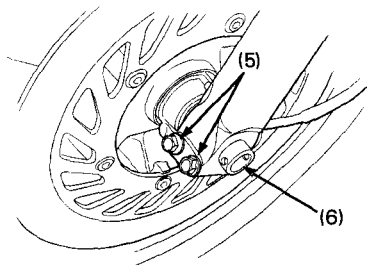


- (3) Tachometerwelle
- (4) Kabelhalteschraube

3. Die Halteschraube (4) der Tachometerwelle (3) herausdrehen, um die Welle vom Tachometergetriebe zu trennen.

**ZUR BEACHTUNG:**

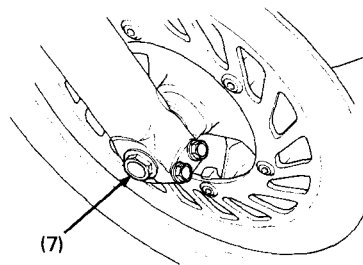
\* Bei ausgebautem Vorderrad nicht den Bremshebel anziehen. Die Bremsattelkolben werden aus den Zylindern herausgedrückt, was mit zusätzlichem Verlust von Bremsflüssigkeit verbunden ist. Sollte dies eintreten, muß das Bremssystem instandgesetzt werden. Lassen Sie diese Arbeit von Ihrem HONDA-Vertragshändler ausführen.



- (5) Achsklemmschrauben  
(6) Vorderachse

**68**

4. Die rechte und linke Achsklemmschraube (5) lösen und die Achsschraube (7) entfernen.  
5. Die Vorderachse (6) herausziehen und das Vorderrad abnehmen.



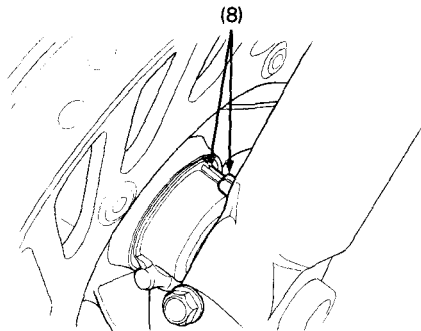
- (7) Achsschraube

#### Einbauhinweise:

Das Vorderrad zwischen die Gabelbeine schieben, und die Achse von links durch das linke Gabelbein und die Radnabe einschieben.

#### **VORSICHT**

**\* Beim Einbauen des Rads die linke Bremsscheibe vorsichtig zwischen die Bremsklötze einpassen, um diese nicht zu beschädigen.**



(8) Anschlag

Die Nase des Tachometergetriebes gegen den Anschlag (8) am rechten Gabelbein drehen. Die Achsschraube mit dem vorgeschriebenen Drehmoment anziehen. Drehmoment der Vorderachse:

60 N·m (6,0 kg·m)

Wenn sich die Fühlerlehre leicht einschieben lässt, die Achsklemmschrauben (5) auf beiden Seiten mit dem vorgeschriebenen Drehmoment anziehen.

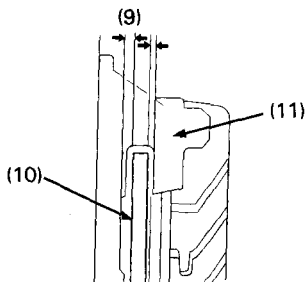
Drehmoment der Achsklemmschraube:

31 N·m (3,1 kg·m)

Das Spiel (9) zwischen jeder Oberfläche der linken Bremsscheibe (10) und dem linken Bremssattelhalter (11) mit einer 0,7-mm-Fühlerlehre (12) messen (siehe Abbildung).

Wenn sich die Fühlerlehre leicht einschieben lässt, die Achsklemmschrauben (5) auf beiden Seiten mit dem vorgeschriebenen Drehmoment anziehen.

Drehmoment der Achsklemmschraube:  
22 N·m (2,2 kg·m)

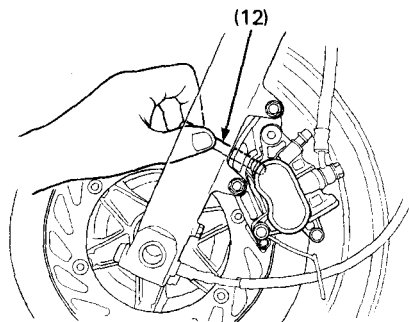


(9) Spiel  
(10) Bremsscheibe

(11) Bremssattelhalter

## ▲ WARNUNG

\* Falls Sie zum Einbauen keinen Drehmoment-schlüssel zur Verfügung haben, lassen Sie den Einbau möglichst bald von Ihrem HONDA-Vertragshändler überprüfen. Falscher Einbau kann die Bremsleistung verschlechtern.



(12) Fühlerlehre



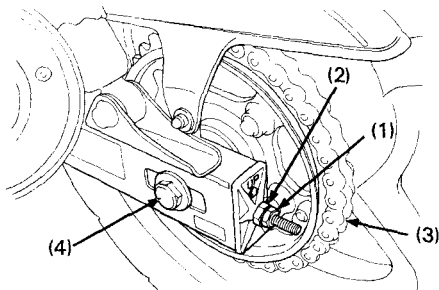
Wenn die Fühlerlehre nicht mühelos eingeschoben werden kann, den linken Gabelholm nach außen ziehen oder hinein drücken, bis die Lehre eingeschoben werden kann, und die Achsklemmschrauben mit eingeschobener Lehre anziehen. Nach dem Anziehen die Lehre entfernen. Nach dem Einbau des Rads die Bremsen einige Male betätigen und beide Bremsscheiben auf Spiel zwischen Bremssattelhalter und Scheibe nachkontrollieren. Das Motorrad nicht ohne ausreichendes Spiel fahren.

#### **▲ WARNUNG**

**\* Falls kein ausreichendes Spiel zwischen Bremsscheibe und Bremssattelhalter vorhanden ist, kann es zu Beschädigung der Bremscheiben und Beeinträchtigung der Bremswirkung kommen.**

### Ausbau des Hinterrads

1. Das Motorrad auf seinen Mittelständer stellen.
2. Die Gegenmuttern (1) und Einstellmuttern (2) der Antriebskettenspanner lösen.
3. Die Hinterachsmutter abschrauben.
4. Das Hinterrad nach vorn schieben, um die Antriebskette (3) vom Abtriebskettenrad abzunehmen.



(1) Gegenmutter  
(2) Einstellmutter

(3) Antriebskette  
(4) Achswelle

5. Achswelle (4), Seitenhülse und Hinterrad von der Schwinge entfernen.

### ZUR BEACHTUNG:

\* Bei ausgebautem Hinterrad nicht das Bremspedal niederdrücken. Die Bremssattelkolben werden aus den Zylindern herausgedrückt, was mit zusätzlichem Verlust von Bremsflüssigkeit verbunden ist. Sollte dies eintreten, muß das Bremssystem instandgesetzt werden. Lassen Sie diese Arbeit von Ihrem HONDA-Vertragshändler ausführen.

#### Einbauhinweise:

Zum Einbauen des Hinterrads die Ausbaureihenfolge umgekehrt anwenden. Die Achsmutter mit dem vorgeschriebenen Drehmoment anziehen.

Drehmoment der Achsmutter:

90 N·m (9,0 kg-m)

#### **VORSICHT**

- \* Beim Einbauen des Rades die Bremsscheibe vorsichtig zwischen die Bremsbeläge schieben, ohne diese zu beschädigen.

Nach dem Einbau des Rades die Bremse mehrmals betätigen und nach dem Loslassen des Bremshebels prüfen, ob sich das Rad ungehindert dreht. Das Rad nachkontrollieren, wenn es sich nicht ungehindert dreht, oder wenn die Bremse schleift.

#### **▲ WARNUNG**

- \* Falls Sie zum Einbauen keinen Drehmoment-schlüssel zur Verfügung haben, lassen Sie den Einbau möglichst bald von Ihrem HONDA-Vertragshändler überprüfen. Falscher Einbau kann die Bremsleistung verschlechtern.

## **BREMSBELAGVERSCHLEISS**

(Lesen Sie die Wartungshinweise auf Seite 50 durch.)

Der Bremsklotzverschleiß hängt von den Einsatzbedingungen, dem Fahrstil und den Straßenbedingungen ab. (Als Faustregel gilt, daß Bremsklötze bei Fahrten auf nassen und schmutzigen Straßen schneller verschleifen.)

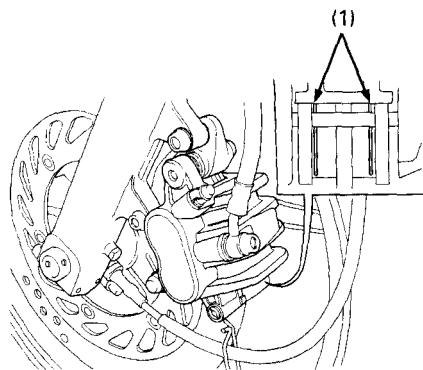
Die Bremsklötze bei jedem fälligen Kundendienst gemäß Wartungsplan überprüfen (Seite 45).

### **Vorderradbremse**

Die Verschleißanzeigemarke (1) an jedem Bremsklotz überprüfen.

Wenn ein Bremsklotz bis zur Verschleißanzeigemarke abgenutzt ist, beide Klötze als Satz auswechseln. Lassen Sie diese Wartungsarbeit von Ihrem Honda-Händler durchführen.

### **〈VORDERRADBREMSE〉**



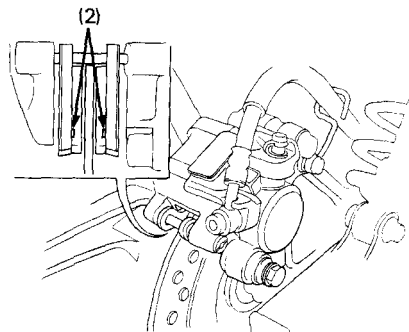
(1) Verschleißanzeigemarke

### **Hinterradbremse**

Den Ausschnitt (2) in jedem Bremsklotz überprüfen.

Wenn ein Bremsklotz bis zum Ausschnitt abgenutzt ist, beide Klötze als Satz auswechseln. Lassen Sie diese Wartungsarbeit von Ihrem Honda-Händler durchführen.

〈HINTERRADBREMSE〉



(2) Ausschnitt

## BATTERIE

(Lesen Sie die Wartungshinweise auf Seite 50 durch.)

Wird das Motorrad bei zu niedrigem Elektrolytstand betrieben, kommt es zu Sulfatabscheidung und Zersetzung der Zellenplatten.

Falls Sie schnellen Verlust des Elektrolyts feststellen oder die Batterie erschöpft zu sein scheint und sich Startschwierigkeiten oder sonstige elektrische Störungen bemerkbar machen, wenden Sie sich an Ihren HONDA-Vertragshändler.

### **▲ WARNUNG**

- \* Die Batterie erzeugt explosive Gase. Funken, Flammen und brennende Zigaretten fernhalten. Beim Laden oder Gebrauch der Batterie in einem geschlossenen Raum für ausreichende Belüftung sorgen.

### **▲ WARNUNG**

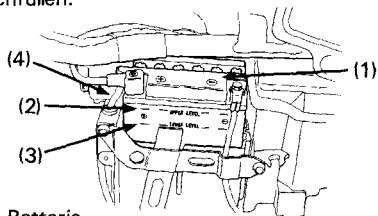
- \* Die Batterie enthält Schwefelsäure (Elektrolyt). Der Kontakt mit Schwefelsäure kann schwere Verbrennungen verursachen. Augen und Haut vor Berührung schützen. Beim Umgang mit Batterien schützende Kleidung und Gesichtsschutz tragen.
  - Falls Elektrolyt auf die Haut gelangt, mit Wasser abspülen.
  - Falls Elektrolyt in die Augen gelangt, mindestens 15 Minuten lang mit Wasser ausspülen und sofort einen Arzt rufen.
- \* Elektrolyt ist giftig.
  - Falls Elektrolyt versehentlich geschluckt wird, große Mengen von Wasser oder Milch trinken, anschließend Magnesiamilch oder Pflanzenöl einnehmen und in ärztliche Behandlung begeben.
- \* AUSSER REICHWEITE VON KINDERN HALTEN.

### Batteriesäure:

Die Batterie (1) befindet sich unter der rechten seitenverkleidung. Die rechte Seitenverkleidung abnehmen (Seite 33).

Den Elektrolytstand bei aufrecht auf ebenem Boden stehenden Motorrad überprüfen. Der Elektrolytstand muß zwischen der oberen (2) und unteren (3) Pegelmarke an der Seite der Batterie gehalten werden.

Wenn der Stand des Elektrolyts zu niedrig ist, die Batterie-Einfüllstopfen abnehmen und mit Hilfe eines kleinen Plastiktrichters vorsichtig destilliertes Wasser bis zur UPPER-Markierung nachfüllen.



- (1) Batterie
- (2) Obere Pegelmarke (UPPER)
- (3) Untere Pegelmarke (LOWER)
- (4) Batterie-Entlüftungsschlauch

### **VORSICHT**

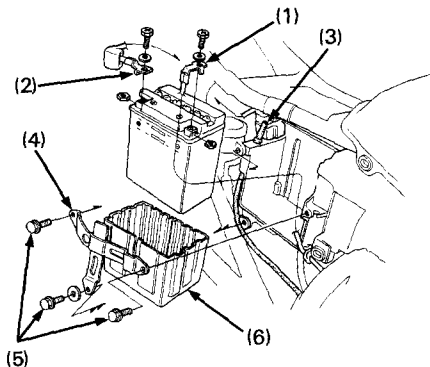
- \* Beim Überprüfen des Batterieelektrolytstands oder Nachfüllen destillierten Wassers sicherstellen, daß der Entlüftungsschlauch am Batterieentlüftungsauslaß angeschlossen ist.
- \* Verwenden Sie nur destilliertes Wasser zum Nachfüllen der Batterie. Leitungswasser verkürzt die Lebensdauer der Batterie.
- \* Füllen Sie die Batterie nicht über die obere Pegellinie. Andernfalls kann Elektrolyt überlaufen und Korrosion des Motors oder der umliegenden Rahmenteile verursachen. Waschen Sie verschütteten Elektrolyt sofort ab.
- \* Der Batterie-Entlüftungsschlauch muß gemäß den Angaben auf der Plakette verlegt werden. Er darf weder geknickt noch verdreht werden. Ein geknickter oder verdrehter Entlüftungsschlauch kann die Batterie unter Druck setzen und ihr Gehäuse sprengen.

## VORSICHT

\* Wenn das Motorrad für längere Zeit außer Betrieb genommen werden soll, die Batterie ausbauen und voll aufladen. Dann die Batterie an einem kühlen, trockenen Ort lagern. Soll die Batterie im Motorrad eingebaut bleiben, das negative Kabel von der Batterie abklemmen.

### Ausbau der Batterie:

1. Die rechte Seitenverkleidung abnehmen (Seite 33).
2. Zuerst das Minuskabel (-) (1), dann das Pluskabel (+) (2) von der Batterie abklemmen.
3. Das Entlüfterrohr der Batterie abnehmen (3).
4. Die drei Schrauben (5) herausdrehen, dann die Batteriehalterung (4) abnehmen.
5. Den Batteriekasten (6) herausziehen, dann die Batterie entfernen.



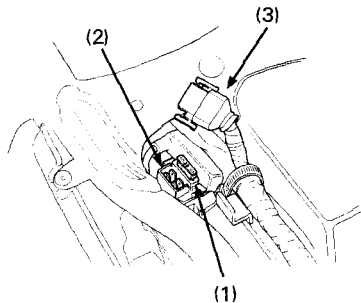
- (1) Minuskabel (-)
- (2) Pluskabel (+)
- (3) Batterie-Entlüftungsschlauch
- (4) Batteriehalter
- (5) Schrauben
- (6) Batteriekasten



## AUSWECHSELN DER SICHERUNGEN

(Lesen Sie die Wartungshinweise auf Seite 50 durch.)

Die Hauptsicherung (1) am Anlassermagnetschalter (2) unter der Sitzbank weist einen Widerstandswert von 30 A auf. Die Reserve-Hauptsicherung (6) befindet sich in der Nähe des Sicherungskastens. Der Sicherungskasten (4) ist ebenfalls unter der Sitzbank angebracht.



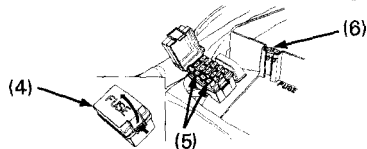
- (1) Hauptsicherung
- (2) Anlassermagnetschalter
- (3) Steckverbinder

Häufiges Durchbrennen der Sicherungen läßt gewöhnlich auf einen Kurzschluß oder eine Überlastung der elektrischen Anlage schließen. Lassen Sie Reparaturen von Ihrem HONDA-Vertragshändler ausführen.

## VORSICHT

\* **Vor dem Überprüfen oder Auswechseln von Sicherungen die Zündung ausschalten, um einen versehentlichen Kurzschluß zu vermeiden.**

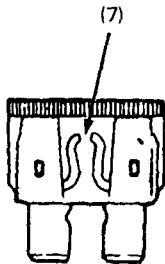
Zum Auswechseln der Hauptsicherung (1) die rechte Seitenverkleidung abnehmen (seite 33), den Steckverbinder (3) abziehen und die alte Sicherung entfernen. Nun die neue Sicherung einsetzen und den Stecker wieder anbringen.



- (4) Sicherungskasten
- (5) Reservesicherungen
- (6) Reservehauptsicherung

Für das Auswechseln der Sicherungen im Sicherungskasten (4) den Sicherungskastendeckel entfernen. Die Reservesicherungen (5) befinden sich im Sicherungskasten.

Die alte Sicherung aus den Halteklemmen entfernen. Danach eine neue Sicherung hineindrücken und den Sicherungskastendeckel wieder anbringen.



(7) Durchgebrannte Sicherung

## **▲ WARNUNG**

- \* Auf keinen Fall eine Sicherung mit einer anderen Nennkapazität als der vorgeschriebenen verwenden. Der Gebrauch einer solchen Sicherung kann zu ernsthafter Beschädigung der elektrischen Anlage oder einem Brand führen, wodurch ein gefährlicher Ausfall der Beleuchtung oder des Motors verursacht werden kann.

## ERSETZEN DER LEUCHTENBIRNE

(Lesen Sie die Wartungshinweise auf Seite 50 durch.)

### Scheinwerfer-/Position-Leuchtenbirne

#### **▲ WARNUNG**

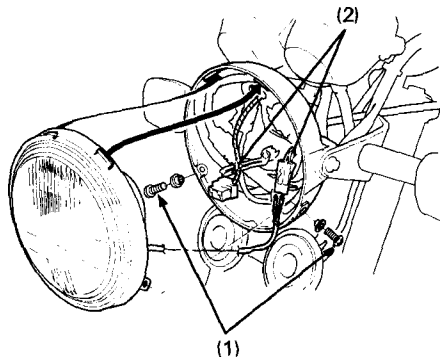
- \* Die Birne erhitzt sich bei eingeschalteter Lampe sehr stark, und bleibt auch nach dem Ausschalten für einige Zeit heiß. Vor Beginn der Arbeiten die Birne unbedingt abkühlen lassen.

#### **VORSICHT**

- \* Beim Ersetzen der Birne saubere Handschuhe tragen.
- \* Darauf achten, daß keine Fingerabdrücke auf die Scheinwerferbirne gelangen, da hierdurch überhitzte Stellen auf dem Glaskolben entstehen, die ein frühzeitiges Durchbrennen der Glühlampe verursachen.
- \* Wenn die Birne versehentlich mit bloßen Händen berührt wird, ist diese mit einem mit Alkohol angefeuchteten Lappen zu reinigen, um ein vorzeitiges Durchbrennen zu vermeiden.

## ZUR BEACHTUNG:

- \* Vor dem Ersetzen der Birne unbedingt den Zündschalter auf OFF stellen.
1. Die Schrauben (1) aus dem Scheinwerfergehäuse herausdrehen.
  2. Den Scheinwerfereinsatz vorsichtig nach vorne ziehen, dann die Stecker abziehen (2).

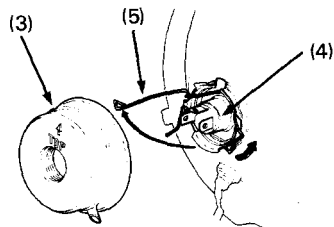


- (1) Schrauben  
(2) Steckverbinder

3. Das Aufnahmegummi (3) entfernen.
4. Die Birne (4) herausnehmen und dabei gleichzeitig auf den Stift (5) drücken.
5. Eine neue Birne in umgekehrter Reihenfolge des Ausbaus einsetzen.

**ZUR BEACHTUNG:**

- \* Nur die vorgeschriebenen Birnen verwenden.
- \* Nach dem Einbau einer neuen Birne sich vergewissern, daß die Lampe einwandfrei funktioniert.



- (3) Aufnahmegummi      (5) Stift  
(4) Birne

## Brems-/Schlussleuchtenbirne

### **⚠ WARNUNG**

- \* Die Birne erhitzt sich bei eingeschalteter Lampe sehr stark, und bleibt auch nach dem Ausschalten für einige Zeit heiß. Vor Beginn der Arbeiten die Birne unbedingt abkühlen lassen.

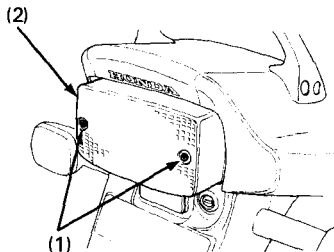
### **VORSICHT**

- \* Beim Ersetzen der Birne saubere Handschuhe tragen.
- \* Wenn die Birne versehentlich mit bloßen Händen berührt wird, ist diese mit einem mit Alkohol angefeuchteten Lappen zu reinigen, um ein vorzeitiges Durchbrennen zu vermeiden.

### ZUR BEACHTUNG:

- \* Vor dem Ersetzen der Birne unbedingt den Zündschalter auf OFF stellen.

1. Die beiden Schrauben herausdrehen (1).
2. Die Lichtscheibe der Schlußleuchte abnehmen (2).

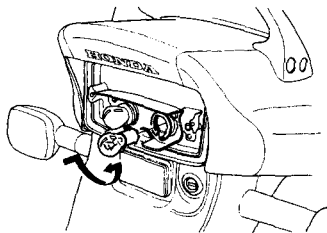


- (1) Schrauben
- (2) Schlußlicht-Streuscheibe

3. Die Birne leicht hineindrücken, im Gegenuhrzeigersinn drehen und herausziehen.
4. Eine neue Birne in umgekehrter Reihenfolge des Ausbaus einsetzen.

**ZUR BEACHTUNG:**

- \* Nur die vorgeschriebenen Birnen verwenden.
- \* Nach dem Einbau einer neuen Birne sich vergewissern, daß die Lampe einwandfrei funktioniert.



## Vorderen/Hinteren Blinkleuchtenbirne

### **▲ WARNUNG**

- \* Die Birne erhitzt sich bei eingeschalteter Lampe sehr stark, und bleibt auch nach dem Ausschalten für einige Zeit heiß. Vor Beginn der Arbeiten die Birne unbedingt abkühlen lassen.

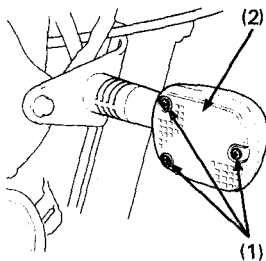
### **VORSICHT**

- \* Beim Ersetzen der Birne saubere Handschuhe tragen.

#### ZUR BEACHTUNG:

- \* Vor dem Ersetzen der Birne unbedingt den Zündschalter auf OFF stellen.

1. Die drei Schrauben herausdrehen (1).
2. Die Lichtscheibe der Blinkleuchte abnehmen (2).



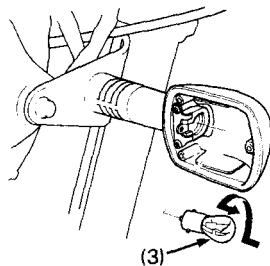
- (1) Schrauben
- (2) Lichtscheibe der Blinkleuchte

3. Die Birne (3) herausnehmen, indem sie zuerst hineingedrückt, dann im Uhrzeigersinn gedreht wird.

4. Eine neue Birne einsetzen und die Leuchte auf einwandfreie Funktion überprüfen.

**ZUR BEACHTUNG:**

- \* Nur die vorgeschriebenen Birnen verwenden.
- \* Nach dem Einbau einer neuen Birne sich vergewissern, daß die Lampe einwandfrei funktioniert.



(3) Birne



## REINIGEN

Reinigen Sie Ihr Motorrad regelmäßig, um die lackierten Flächen zu schützen, und überprüfen Sie es auf Beschädigung, Verschleiß und Auslaufen von Öl oder Bremsflüssigkeit.

### VORSICHT

**\* Hoher Wasser- oder Luftdruck kann bestimmte Bauteile des Motorrads beschädigen.**

Die folgenden Bereiche dürfen nicht mit hohem Wasserdruck (wie er in Münzwaschanlagen vorkommt) gereinigt werden:

Vergaser	Sitzunterseite
Radnaben	Lenkerschalter
Instrumente	Bremshauptzylinder
Zündschalter	Schalldämpferöffnungen
Antriebskette	
Unterseite des Kraftstofftanks	

1. Spülen Sie das Motorrad nach dem Reinigen reichlich mit sauberem Wasser ab. Waschmittelreste können an legierten Metalteilen Korrosion hervorrufen.

### ZUR BEACHTUNG:

\* Die Kunststoffteile mit einem in milder Seifenlösung getränktem Tuch oder Schwamm reinigen. Verschmutzte Stellen vorsichtig abwischen und mehrmals mit sauberem Wasser abspülen.

2. Das Motorrad trockenwischen, den Motor anlassen und für einige Minuten laufen lassen.
3. Schmieren Sie die Antriebskette unmittelbar nach dem Waschen und Trocknen des Motorrads.
4. Prüfen Sie die Bremsen, bevor Sie das Motorrad fahren. Lassen Sie die Bremsen eventuell kurz schleifen, um die normale Bremswirkung wiederherzustellen.

### ▲ WARNUNG

\* Die Bremsleistung kann unmittelbar nach dem Waschen des Motorrads beeinträchtigt sein. Halten Sie ausreichenden Abstand für einen längeren Bremsweg, um einen möglichen Unfall zu vermeiden.

### **Pflege der Leichtmetallräder**

Aluminium korrodiert, wenn es mit Staub, Schlamm, Streusalz usw. in Berührung kommt. Reinigen Sie die Räder nach dem Fahren mit einem nassen Schwamm und milder Seifenlauge. Anschließend mit Wasser gut abspülen und mit einem sauberen Lappen trockenreiben.

### **VORSICHT**

- \* Nicht über Bordsteinkanten fahren oder die Räder an Hindernissen entlangschleifen lassen, weil dadurch die Räder beschädigt werden können.
- \* Nicht über Bordsteinkanten fahren oder die Räder an Hindernissen entlangschleifen lassen, weil dadurch die Räder beschädigt werden können.

## HINWEISE ZUR STILLEGUNG

Längere Lagerung, z. B. während der Wintersaison, erfordert bestimmte Vorkehrungen, um negativen Folgeerscheinungen der Stilllegung des Motorrads vorzubeugen. Außerdem sollten nötige Reparaturen vor der Lagerung des Motorrads durchgeführt werden. Andernfalls könnten diese Reparaturen in Vergessenheit geraten, bis das Motorrad wieder in Betrieb genommen wird.

### AUSSERBETRIEBNAHME

1. Motoröl und Ölfilter wechseln.
2. Kraftstofftank und Vergaser in einen für Benzin zugelassenen Behälter entleeren. Die Innenseite des Tanks mit Rostschutzöl einsprühen.  
Den Tankdeckel wieder anbringen.

### ZUR BEACHTUNG:

- \* Falls die Stilllegung länger als einen Monat dauern soll, unbedingt den Vergaser entleeren, damit eine zuverlässige Fahrzeugleistung nach der Stilllegung wieder gewährleistet ist.

### ▲ WARNUNG

- \* **Benzin ist äußerst feuergefährlich und unter gewissen Bedingungen explosiv. Diese Wartungsarbeiten müssen in einem gut belüfteten Arbeitsbereich und bei abgestelltem Motor vorgenommen werden. Beim Tanken bzw. im Kraftstoff-Aufbewahrungsbereich nicht rauchen; offene Flammen und Funken sind fernzuhalten.**

3. Die Zündkerzen entfernen und einen Eßlöffel (15–20 cm<sup>3</sup>) sauberes Motoröl in jeden Zylinder geben. Den Motor mehrmals durchdrehen, um das Öl zu verteilen, dann die Zündkerzen wieder einschrauben.

### ZUR BEACHTUNG:

- \* Beim Durchkurbeln des Motors die Zündung ausschalten, den zweiten oder dritten (bzw. einen höheren) Gang wählen, und das Motorrad vorwärts schieben, um das Hinterrad zu drehen.

4. Die Batterie ausbauen und an einem vor Frosttemperaturen und direktem Sonnenlicht geschützten Ort aufbewahren. Die Batterie einmal im Monat langsam aufladen.
5. Das Motorrad waschen und trocknen. Alle lackierten Flächen wachsen. Chromteile mit Rostschutzöl bestreichen.
6. Die Antriebskette schmieren (Seite 64).
7. Die Reifen auf den empfohlenen Fülldruck aufpumpen. Das Motorrad aufbocken, um beide Räder vom Boden abzuheben.
8. Das Motorrad abdecken (kein Plastik oder sonstige beschichtete Stoffe verwenden) und in einem ungeheizten Raum, frei von Feuchtigkeit und mit minimalen täglichen Temperaturschwankungen abstellen. Das *Motorrad* nicht in direktem Sonnenlicht abstellen.

## **WIEDERINBETRIEBNAHME**

1. Das Motorrad aufdecken und reinigen.  
Das Motoröl wechseln, falls mehr als 4 Monate seit Beginn der Stilllegung vergangen sind.
2. Den Elektrolytstand der Batterie überprüfen und die Batterie gegebenenfalls laden. Die Batterie einbauen.
3. Überschüssiges Rostschutzöl vom Kraftstofftank ablassen. Den Kraftstofftank mit frischem Benzin füllen.
4. Alle Kontrollen der Überprüfung vor dem Fahren (Seite 34) durchführen.  
Das Motorrad mit niedrigen Drehzahlen in einem sicheren Fahrgebiet abseits vom Verkehr probefahren.

## TECHNISCHE DATEN

### ABMESSUNGEN

Gesamtlänge	2.220 mm · AR, IG, IIG, IIIG, SW
	2.155 mm · E, ED, F, SP, U
Gesamtbreite	780 mm
Gesamthöhe	1.100 mm
Radstand	1.495 mm

### GEWICHT

Trockengewicht	215,0 kg
----------------	----------

### ZULADUNG UND FÜLLMENGEN

Motoröl	Bei Ölwechsel	2,8 l
	Bei Öl- und Ölfilterwechsel	3,0 l
	Nach Zerlegung	3,8 l
Kraftstofftank		20,0 l
Reservekraftstoff		3,0 l
Zahl der Sitzplätze		Fahrer und Beifahrer
Zulässiges Zuladungsgewicht		190 kg

## MOTOR

Bohrung und Hub

67 x 53 mm

Verdichtungsverhältnis

9,3 : 1

Hubraum

747 cm<sup>3</sup>

Zündkerze

Standard

DPR8EA—9 (NGK) oder

X24EPR—U9 (NIPPONDENSO)

Für längeren Vollastbetrieb

DPR9EA—9 (NGK) oder

X27EPR—U9 (NIPPONDENSO)

Elektrodenabstand

0,8—0,9 mm

Leerlaufdrehzahl

$1.200 \pm 100 \text{ min}^{-1}$  (U/min) · · E, F, IG, IIG, IIIG, ED, U, AR, SP

$1.200 \pm 50 \text{ min}^{-1}$  (U/min) · · SW

## **FAHRGESTELL UND FEDERUNG**

Nachlaufwinkel	26°
Nachlaufbetrag	91 mm
Reifengröße, vorne	120/70R17 58V (DUNLOP) 120/70ZR17 (MICHELIN)
Reifengröße, hinten	150/70R17 69V (DUNLOP) 150/70ZR17 (MICHELIN)

## **KRAFTÜBERTRAGUNG**

Primäruntersetzung	1,780
Gangabstufung	
1. Gang	3,000
2. Gang	2,056
3. Gang	1,545
4. Gang	1,240
5. Gang	1,074
Enduntersetzung	2,667

## **ELEKTRIK**

Batterie

12V – 14Ah

Lichtmaschine

0,24 kW/5.000 min<sup>-1</sup> (U/min)

## **BELEUCHTUNG**

Scheinwerfer

12V – 60/55W

Schluß-/Bremslicht

12V – 5/21W x 2

Blinklicht

Vorn

12V – 21W

Hinten

12V – 21W

Instrumentenbeleuchtung

12V – 3,4W x 2

Leerlauf-Anzeigeleuchte

12V – 1,7W

Blinker-Anzeigeleuchte

12V – 1,7W

Fernlicht-Anzeigeleuchte

12V – 1,7W

Anzeige für niedrigen öldruck

12V – 1,7W

Seitenständer-Anzeigeleuchte

12V – 1,7W

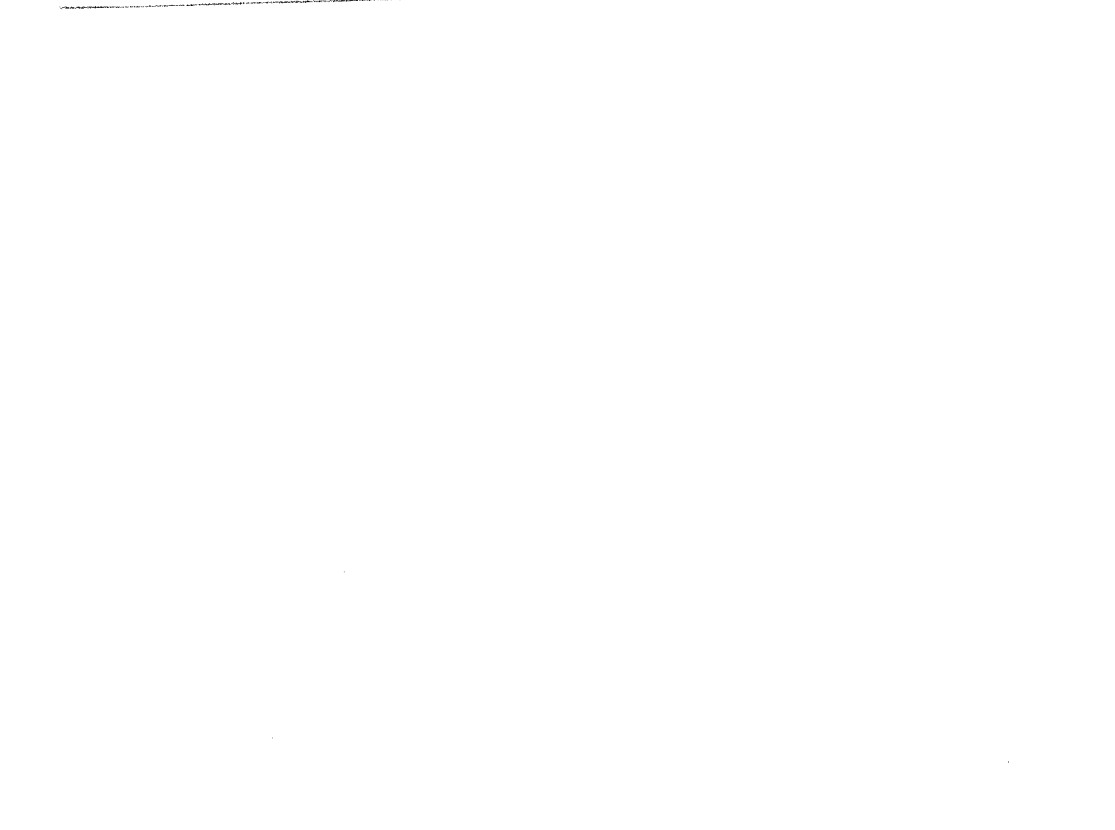
## **SICHERUNG**

30A (Hauptsicherung)

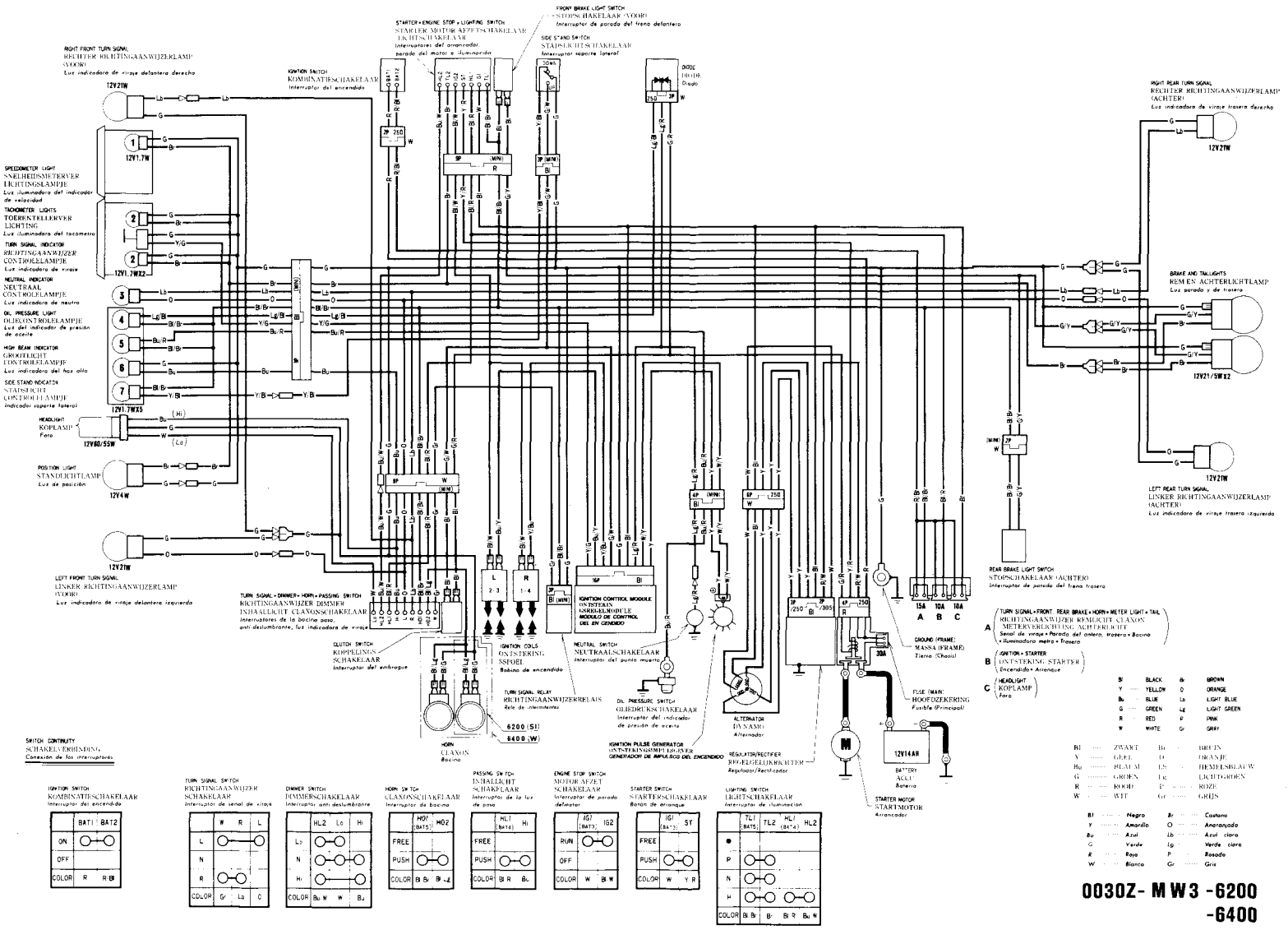
10A, 15A







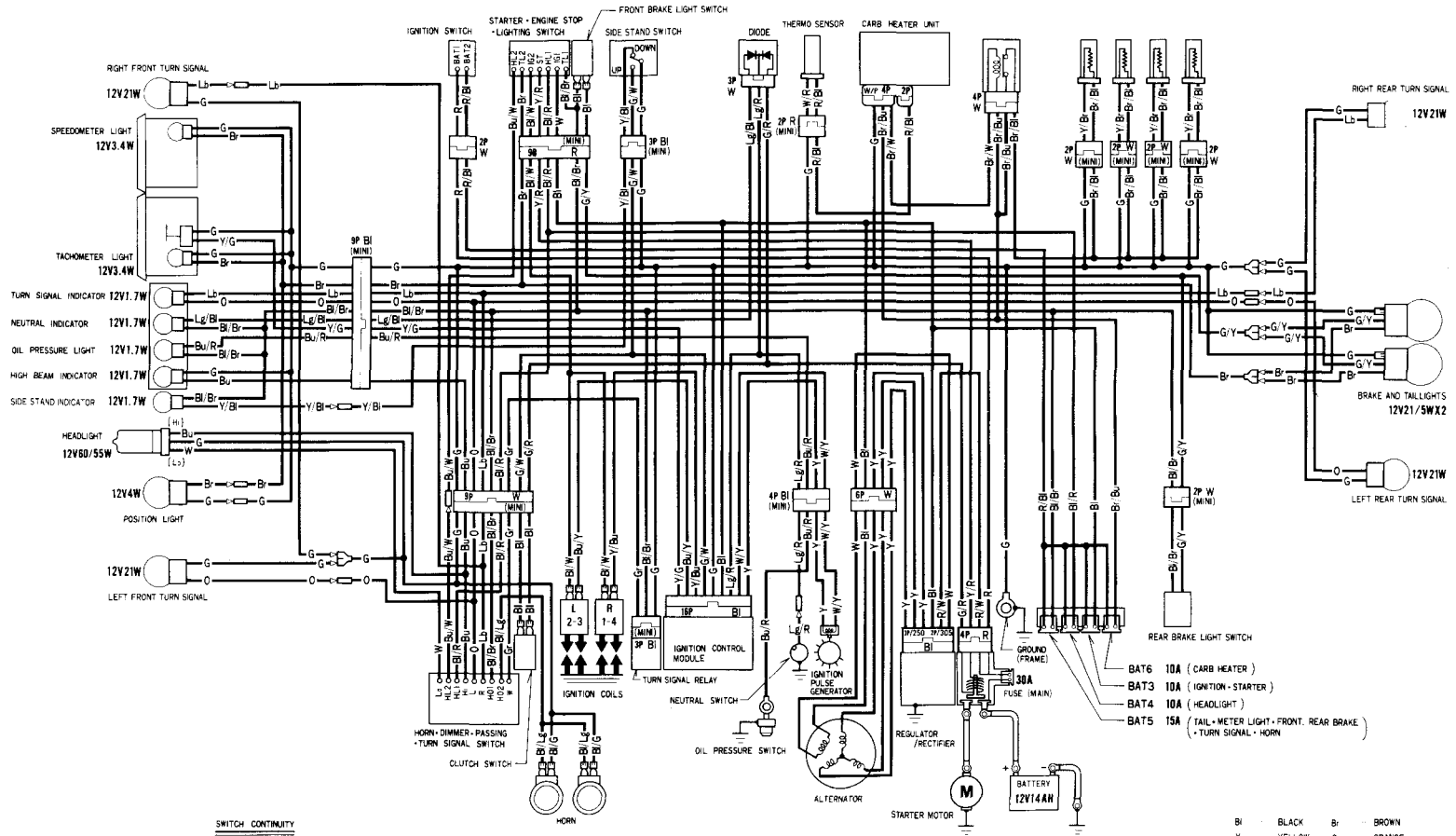
# CB750F2 (ED,F,SW,SP)



0030Z- M W3 -6200  
-6400



# CB750F2 (E)



SWITCH CONTINUITY

IGNITION SWITCH	
BAT1	BAT2
ON	○
OFF	○
COLOR	R R/BI

ENGINE STOP SWITCH	
IG1 (BAT3)	IG2
RUN	○
OFF	○
COLOR	W BI/W

STARTER SWITCH	
IG1 (BAT3)	ST
FREE	○
PUSH	○
COLOR	W Y/R

LIGHTING SWITCH			
TL1 (BAT5)	TL2 (BAT4)	HL1 (BAT4)	HL2
+	○	○	○
P	○	○	○
N	○	○	○
H	○	○	○
COLOR	Bu/Br	Br	Br/R Bu/W

TURN SIGNAL SWITCH		
W	R	L
L	○	○
N	○	○
R	○	○
COLOR	Gr	Lb O

DIMMER SWITCH		
HL2	Lo	Hi
Lo	○	○
N	○	○
Hi	○	○
COLOR	Bu/W	W Bu

HORN SWITCH	
HO1 (BAT4)	HO2
FREE	○
PUSH	○
COLOR	Br/Br/Lg

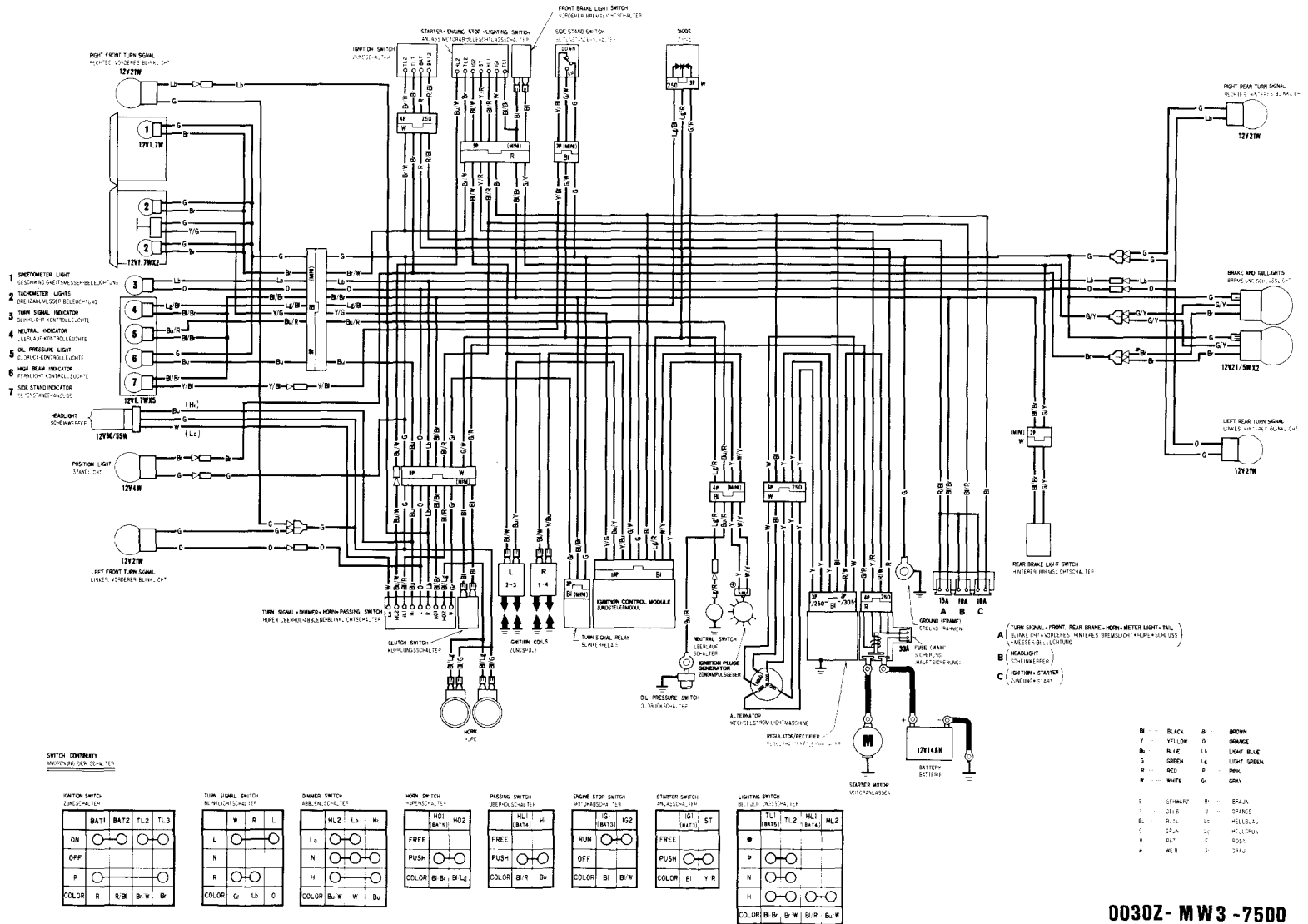
PASSING SWITCH	
HL1 (BAT5)	Hi
FREE	○
PUSH	○
COLOR	Br/R Bu

- B: BLACK
- Y: YELLOW
- Bu: BLUE
- G: GREEN
- R: RED
- W: WHITE
- Br: BROWN
- O: ORANGE
- Lb: LIGHT BLUE
- Lg: LIGHT GREEN
- P: PINK
- Gr: GRAY

0030Z- MW3 -9700

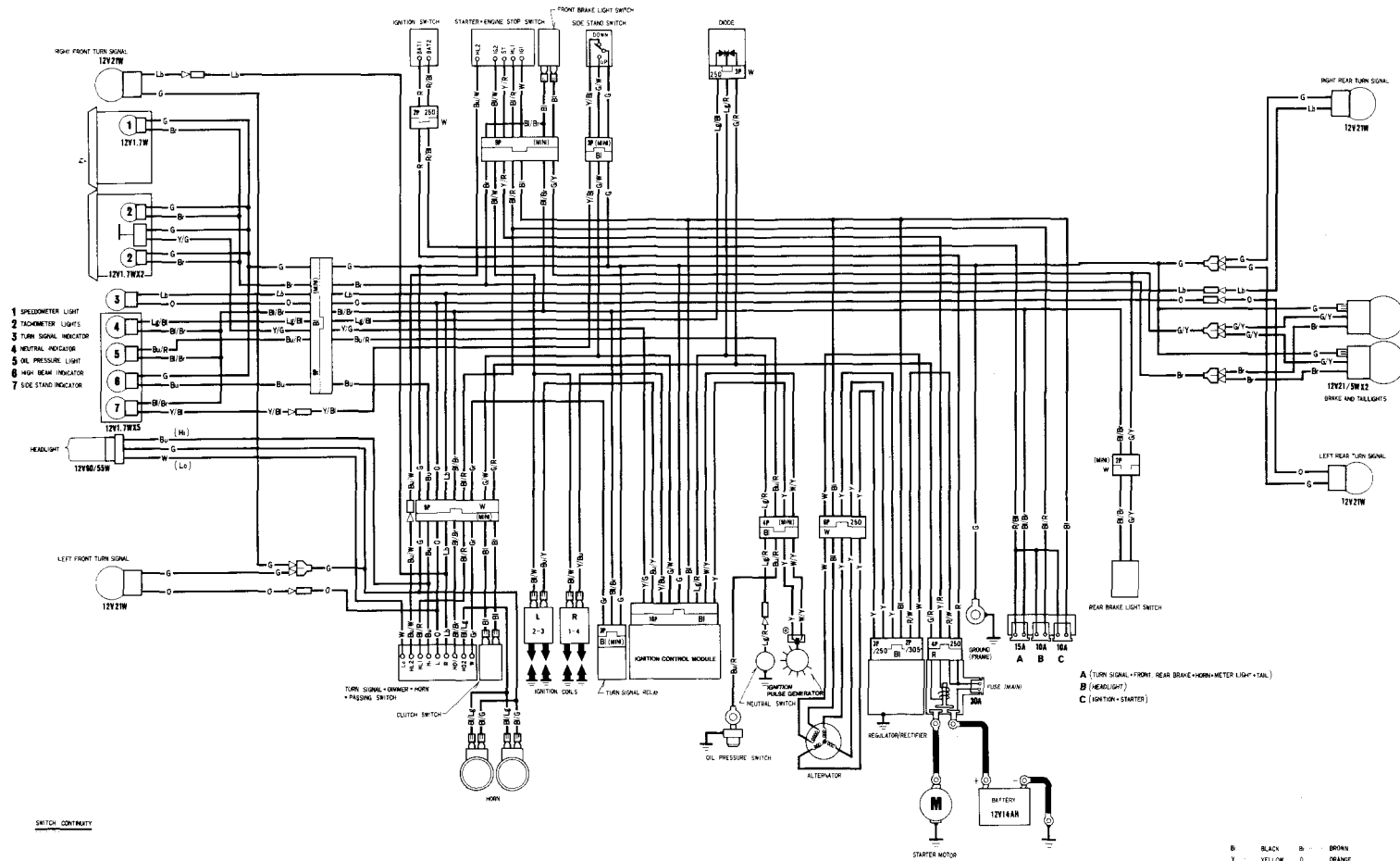


# CB750F2 (AR)



0030Z - MW3 - 7500

# CB750F2 (U)

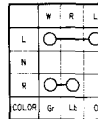


**SWITCH CONTINUITY**

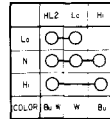
**IGNITION SWITCH**



**TURN SIGNAL SWITCH**



**OWNER SWITCH**



**HORN SWITCH**



**PASSING SWITCH**



**ENGINE STOP SWITCH**



**STARTER SWITCH**



0030Z-MW3-6500



